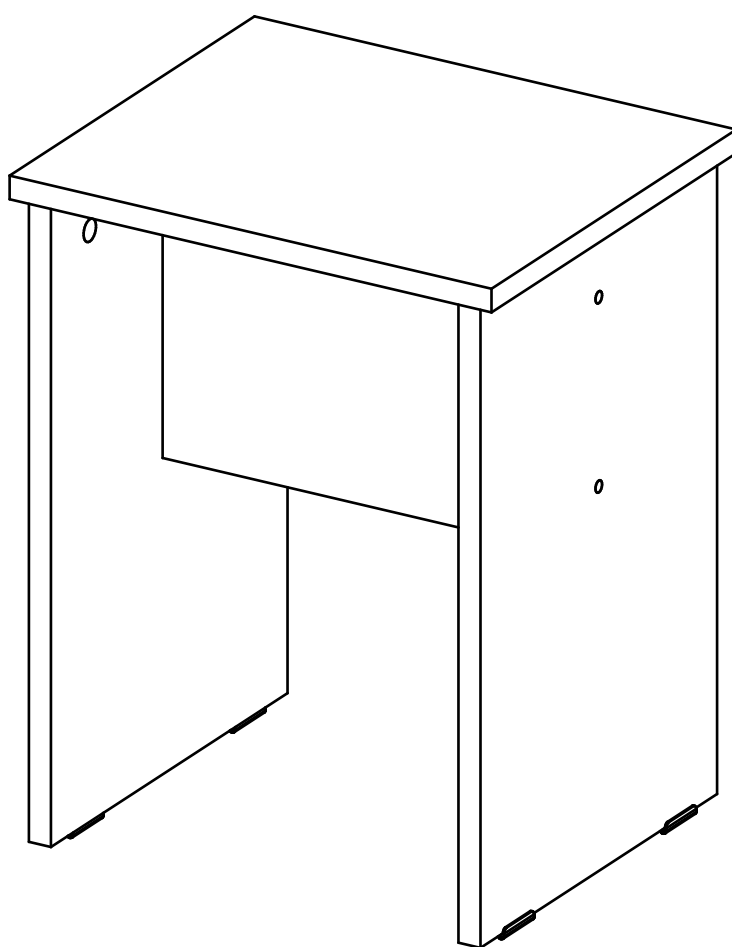
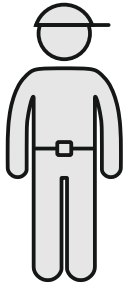


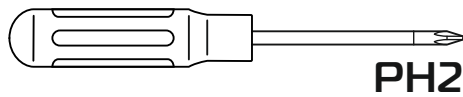
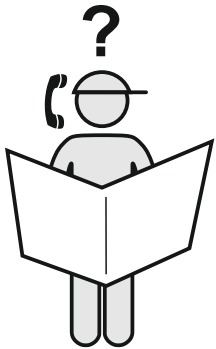
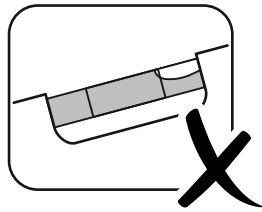
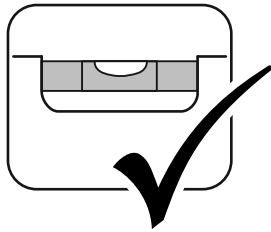
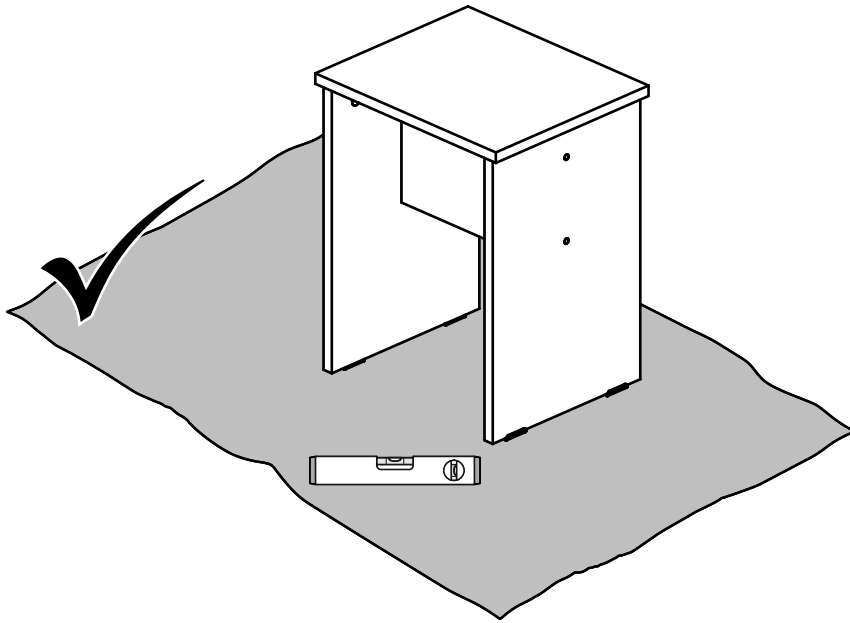
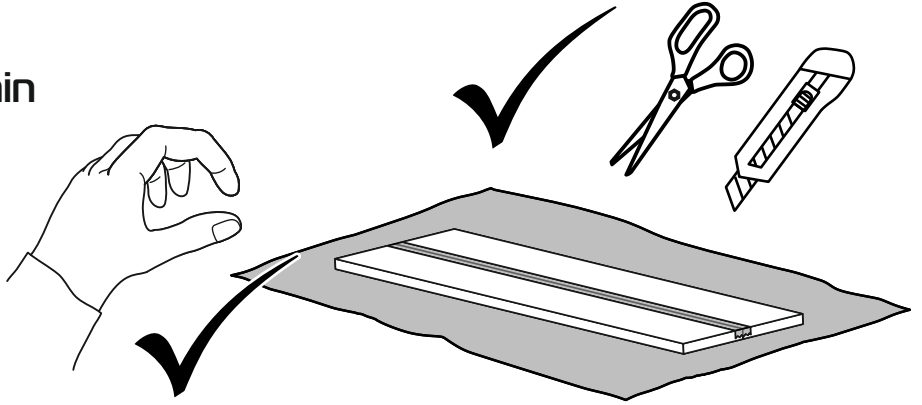
# APTO-20

# ARTO-20

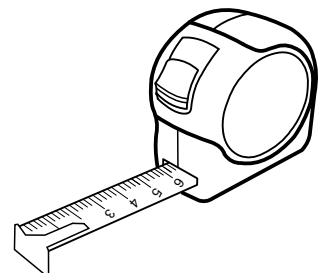
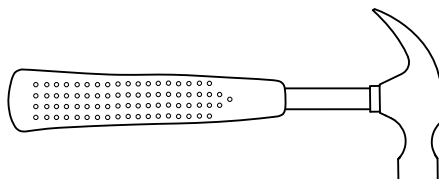
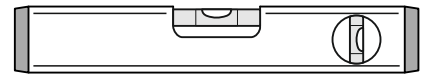


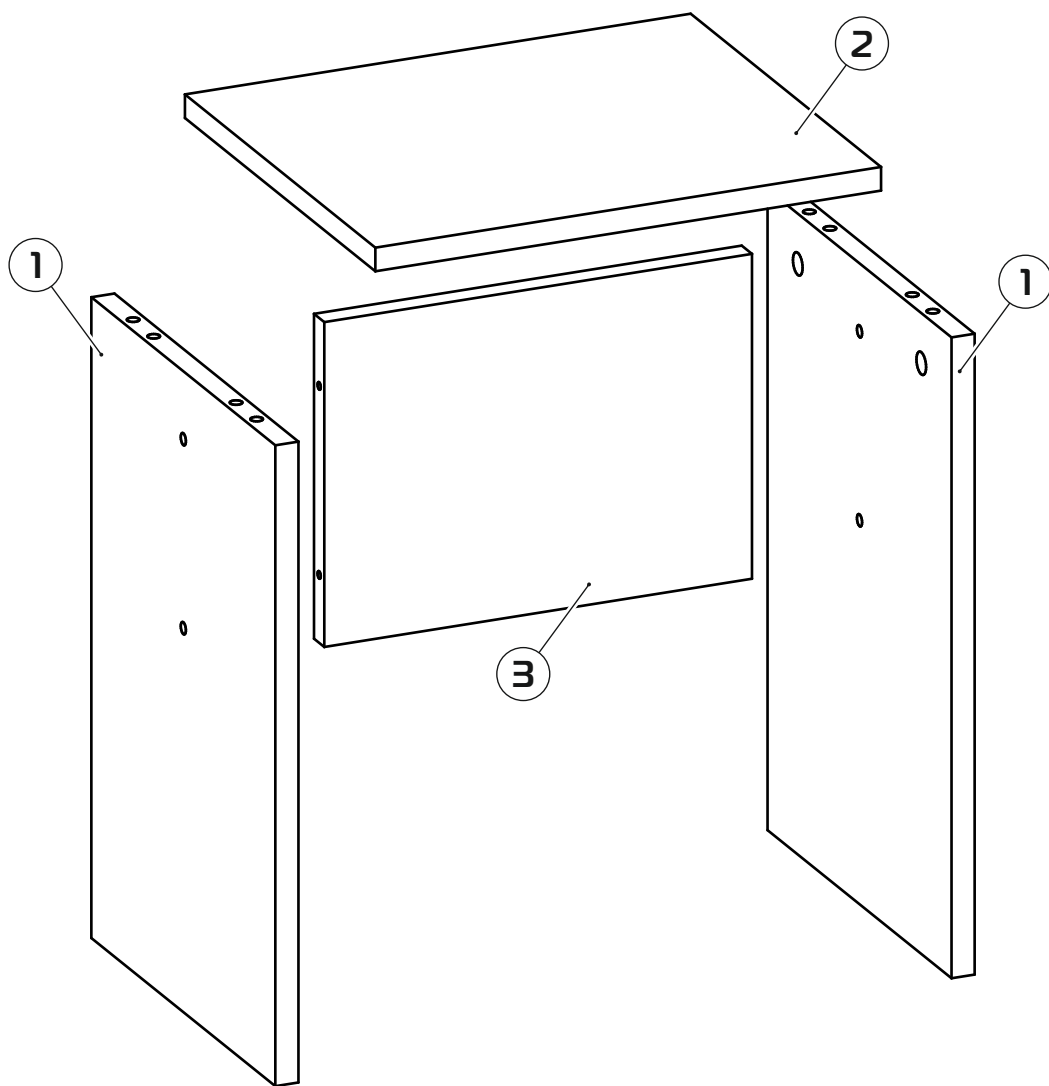


20-30 min



PH2



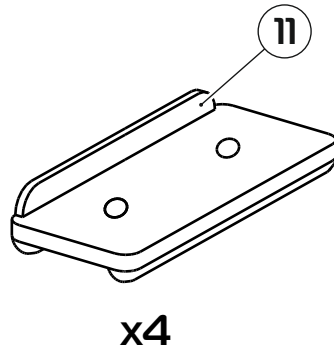
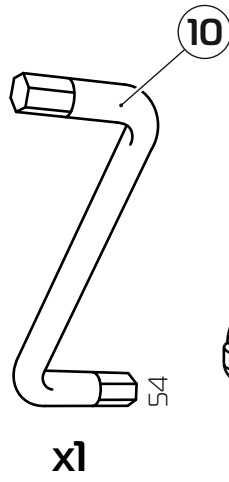
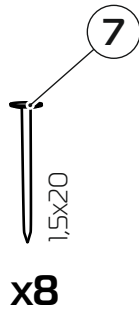
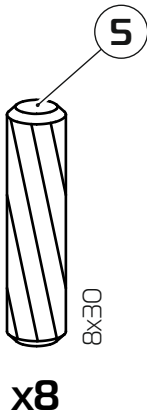
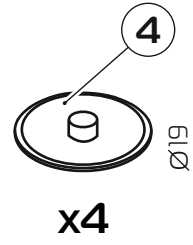
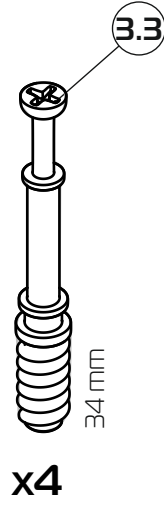
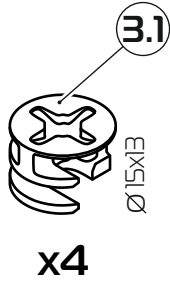
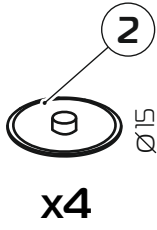
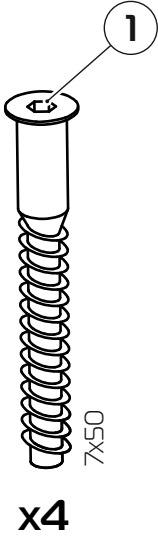


① 434x286x16 (x2)

② 350x296x16 (x1)

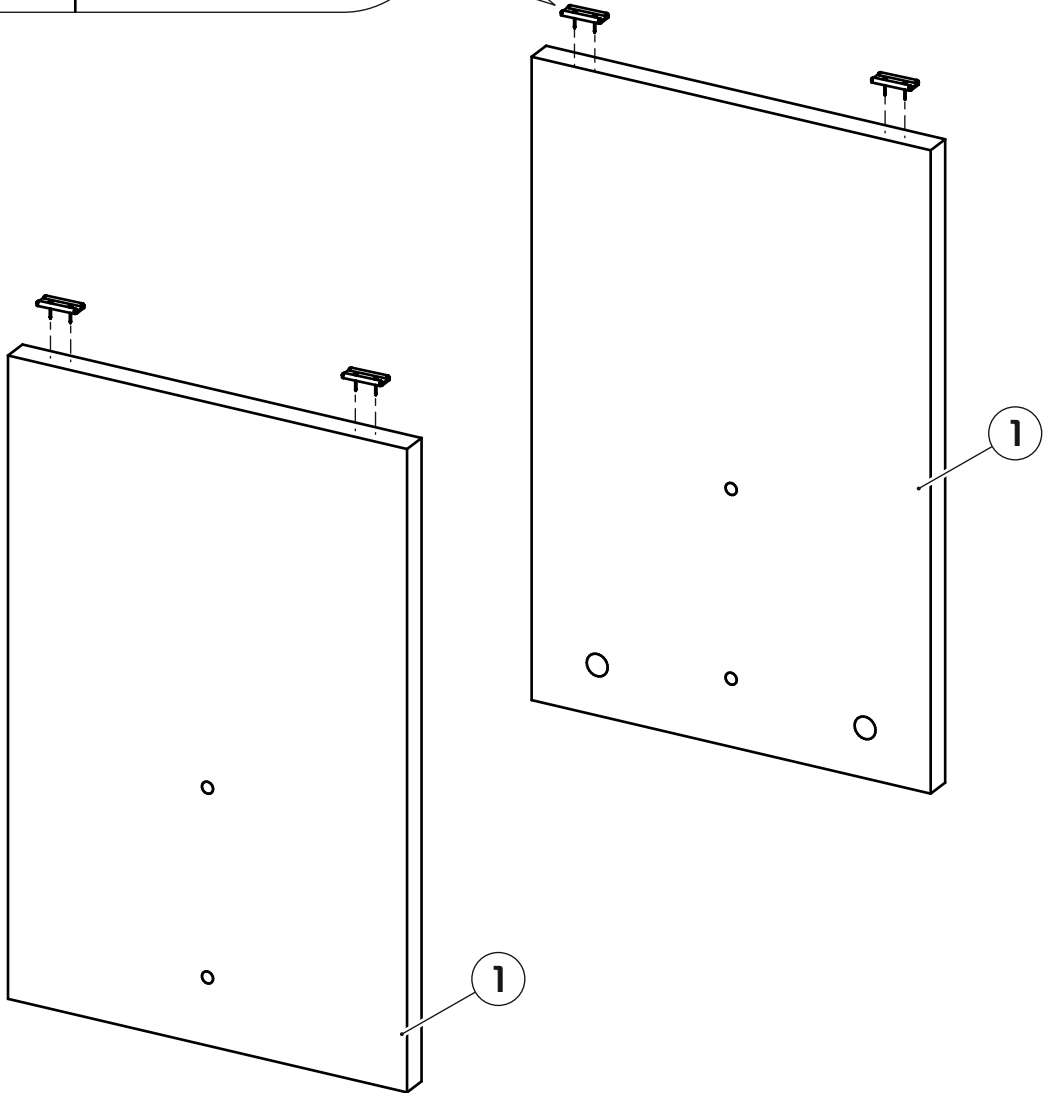
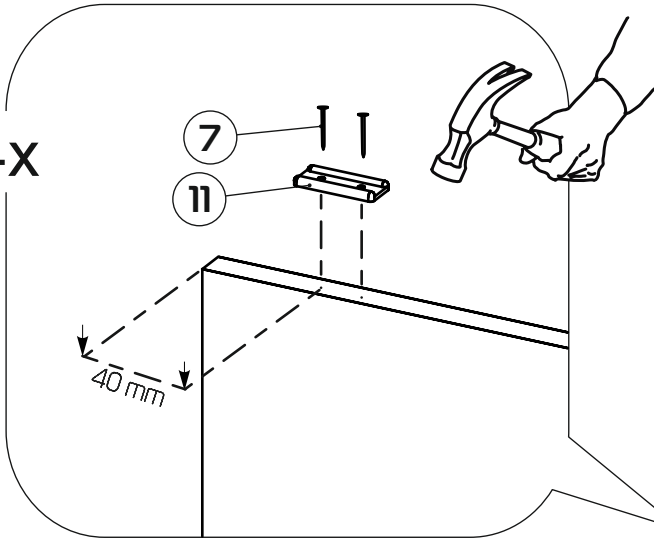
③ 220x296x16 (x1)

1:1

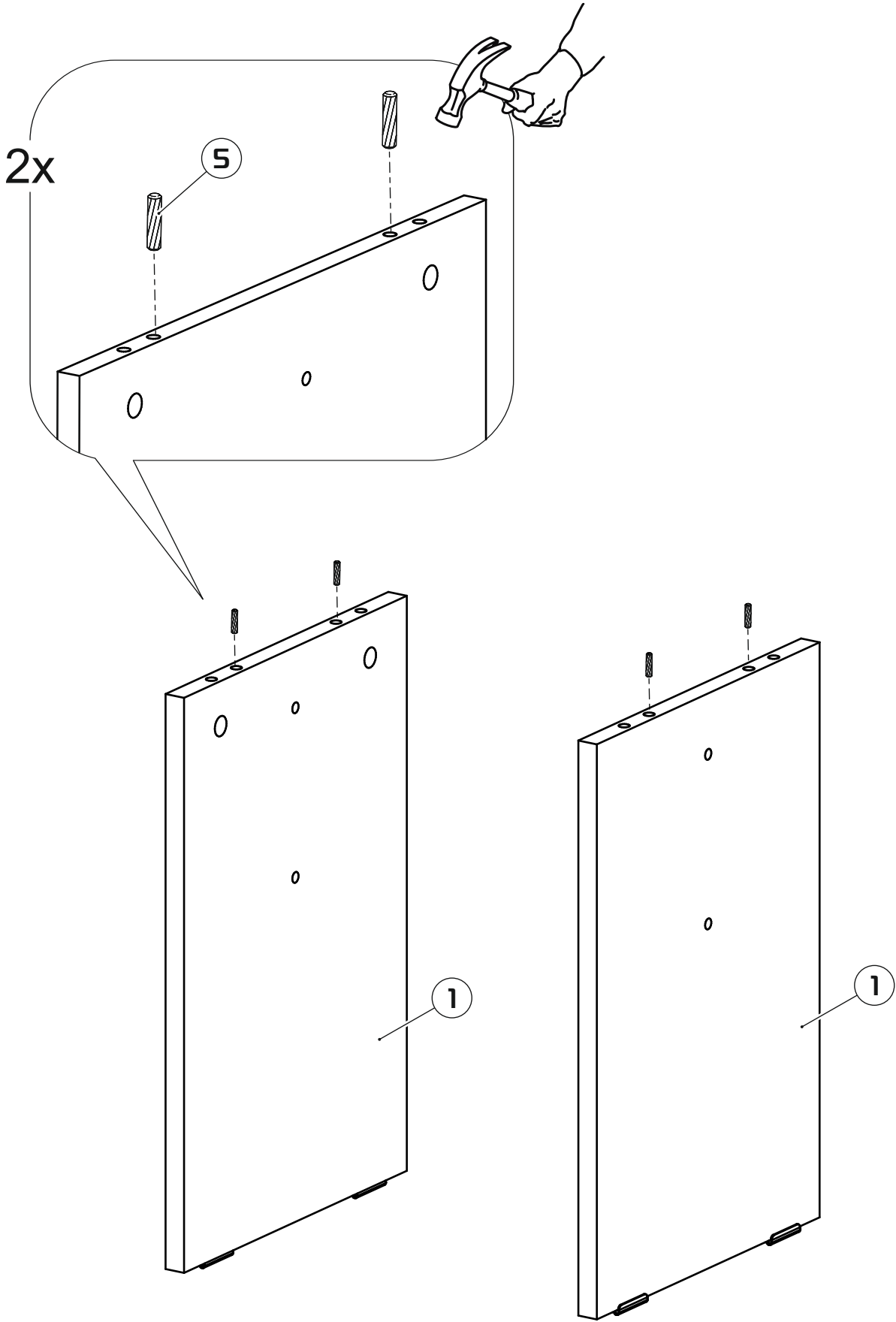


1

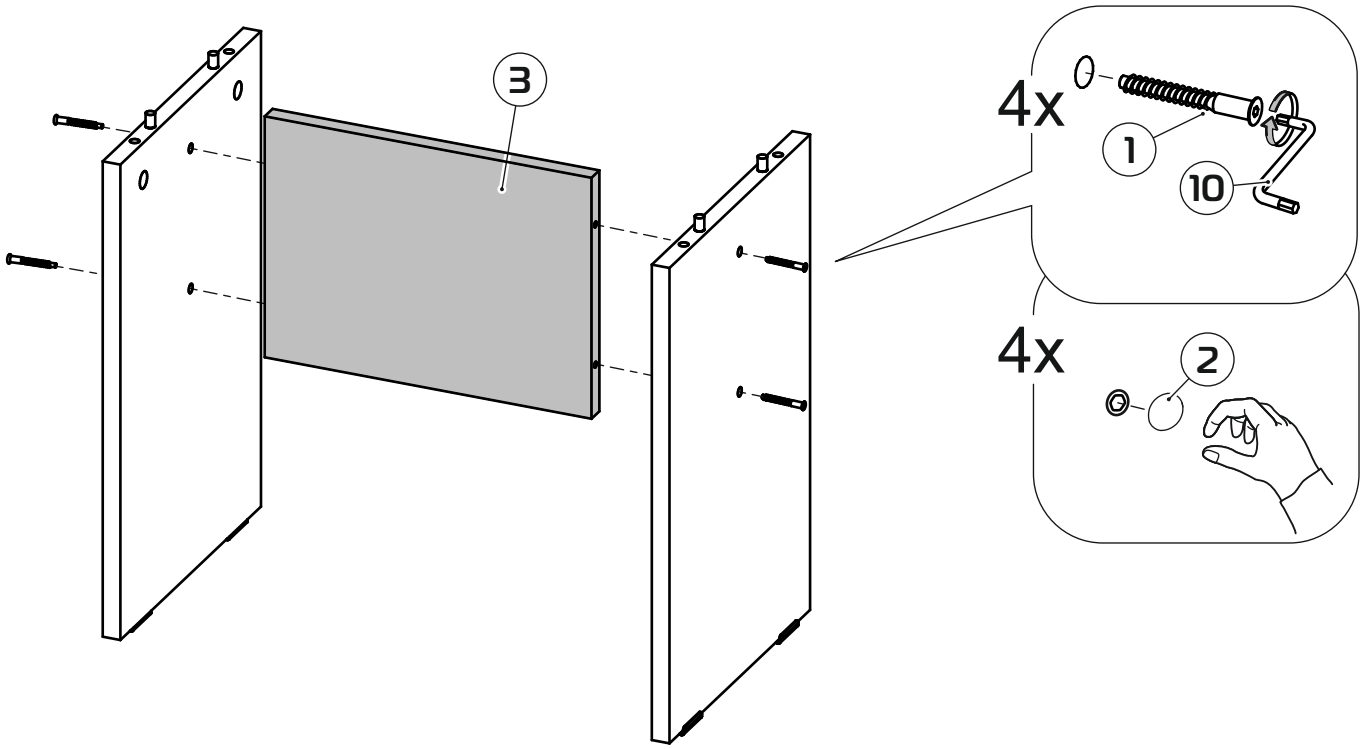
4x



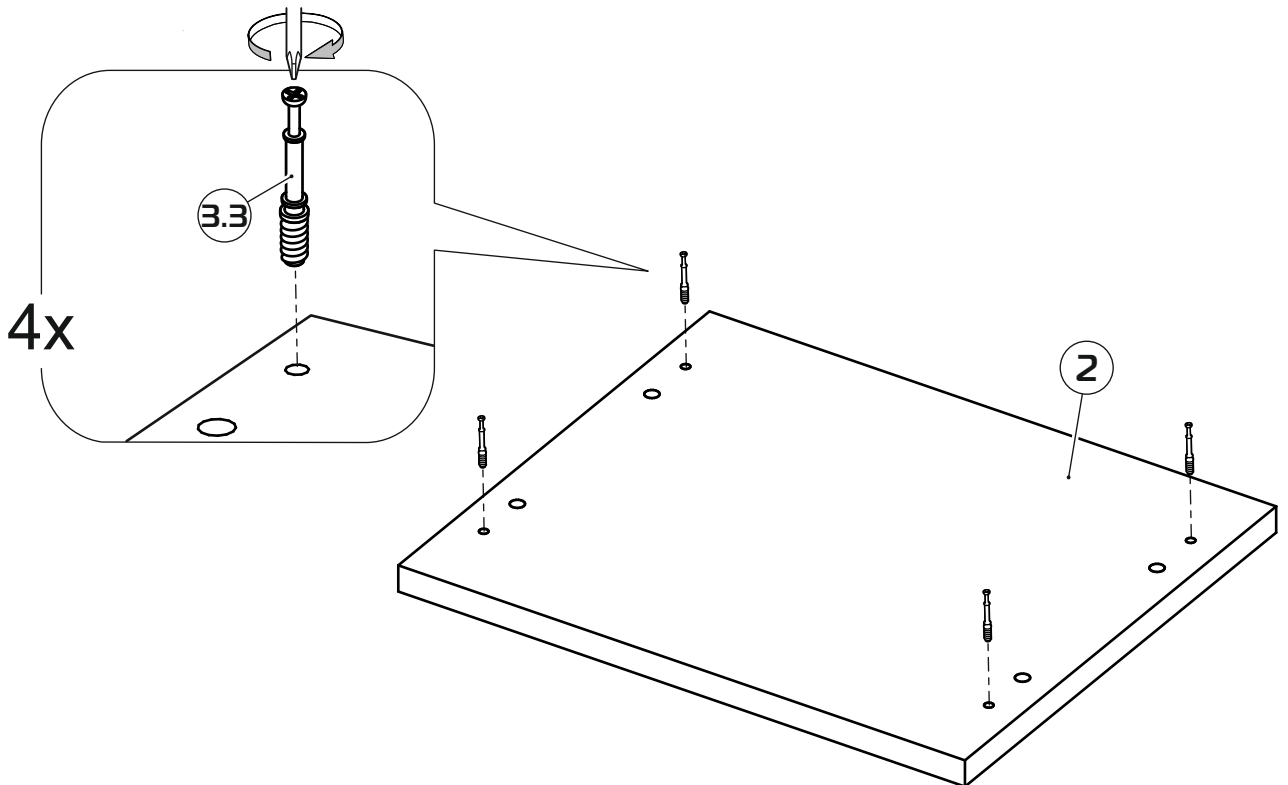
2



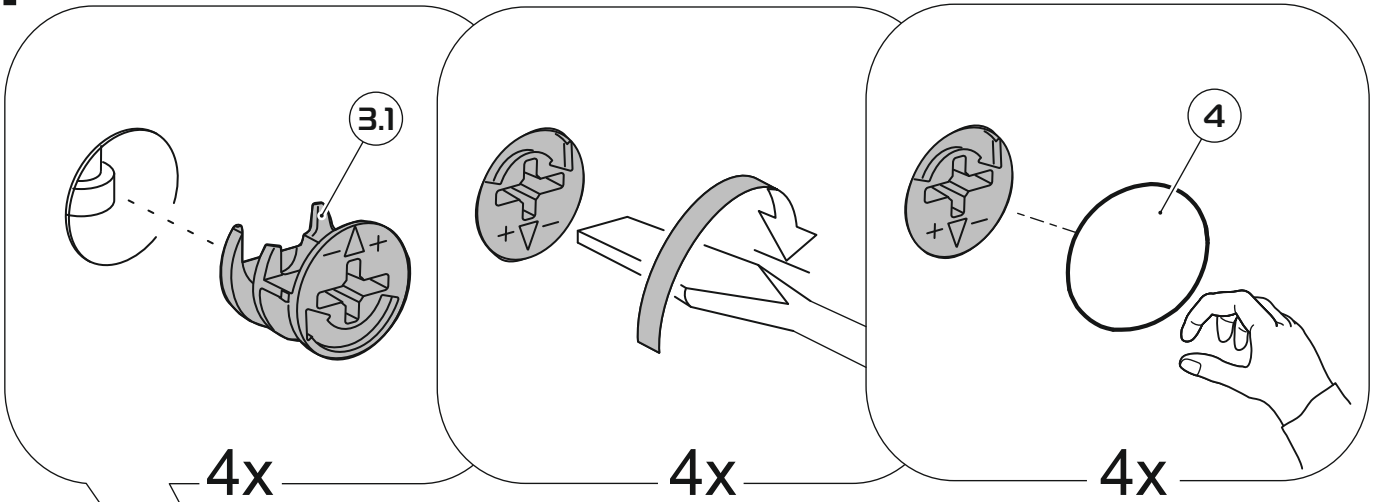
# 3



# 4



4



4x

4x

4x

