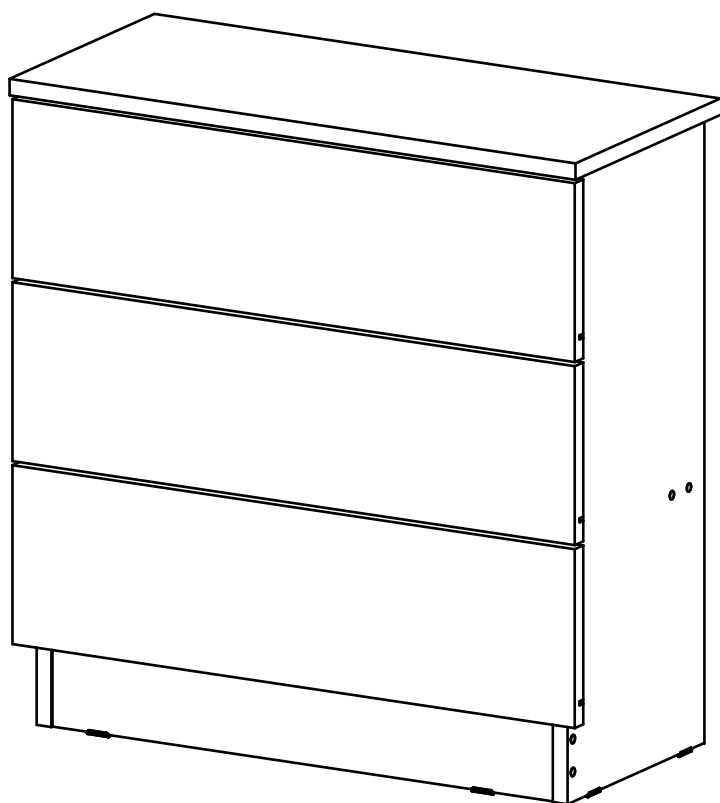
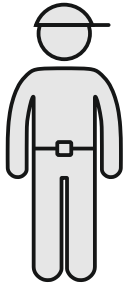


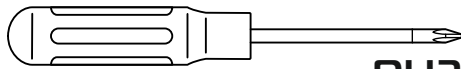
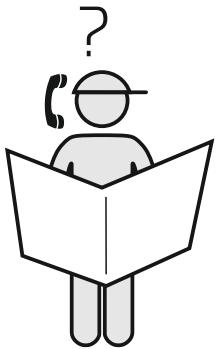
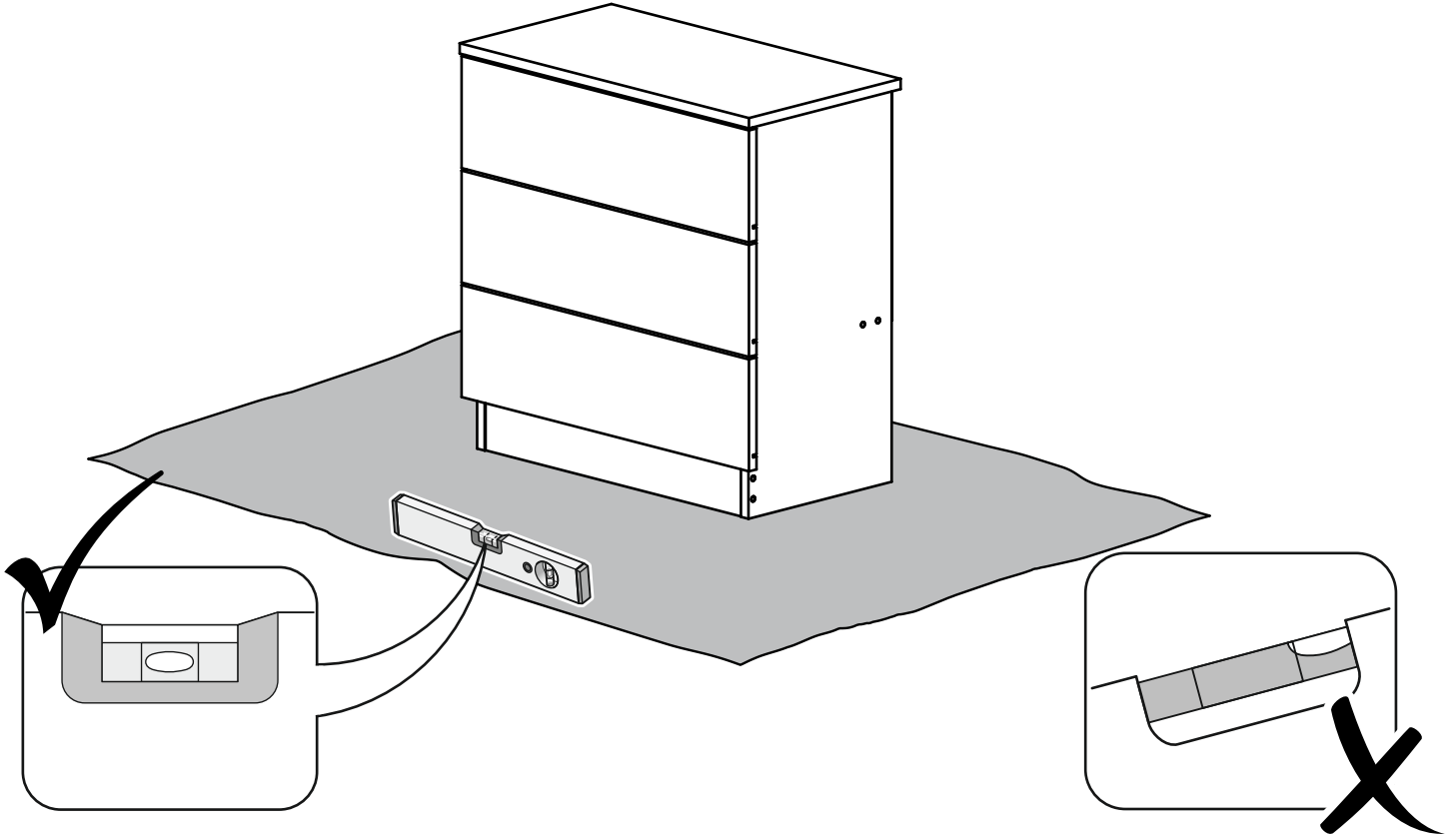
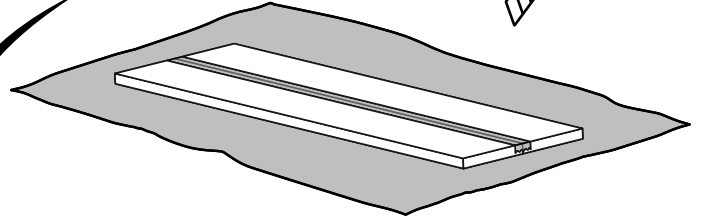
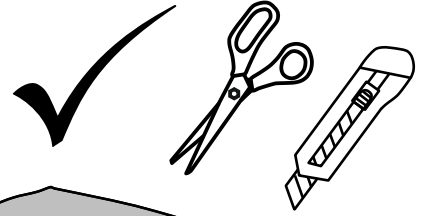
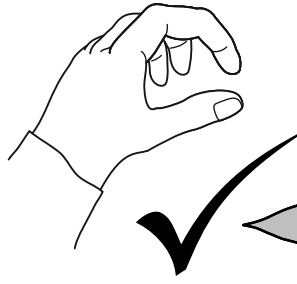
# YHO-25

# UNO-25

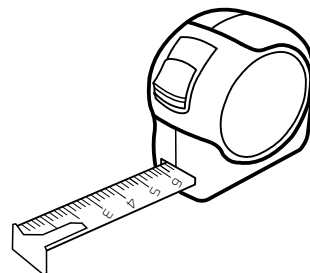
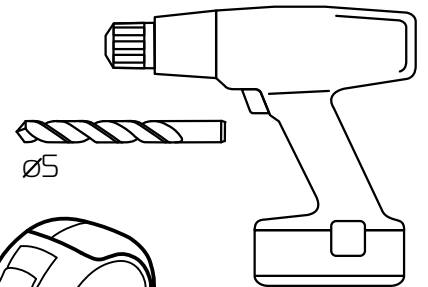
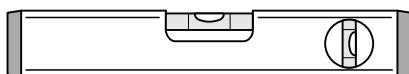
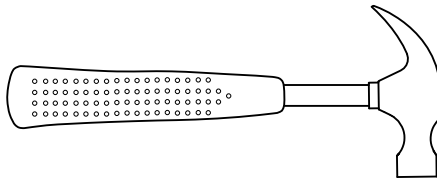


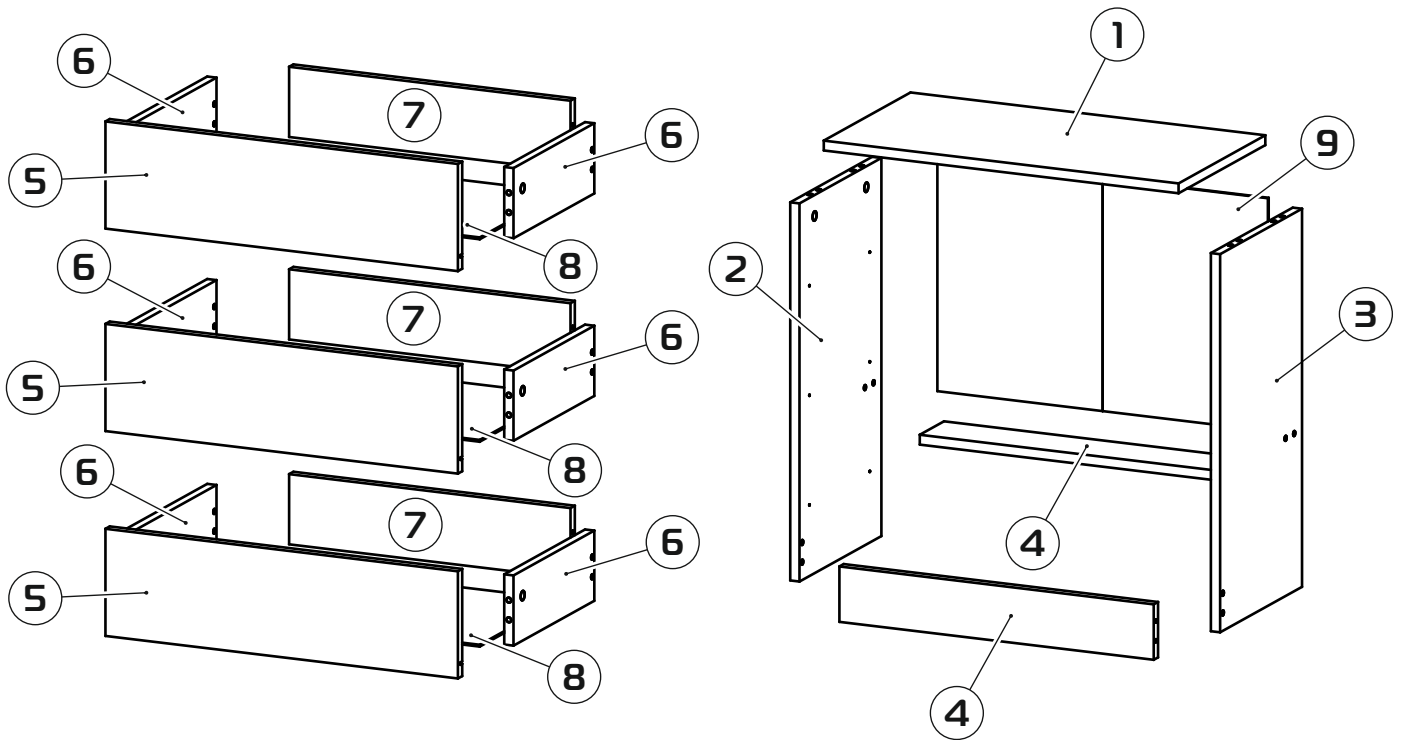


60-90 min



PH2





① 614x322x16 (x1)

⑥ 300x114x16 (x6)

② 614x304x16 (x1)

⑦ 487x114x16 (x3)

③ 614x304x16 (x1)

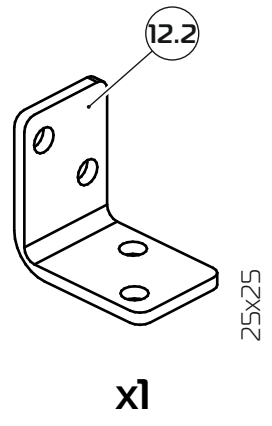
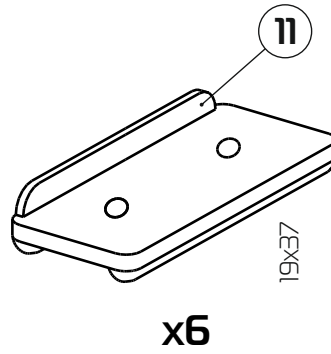
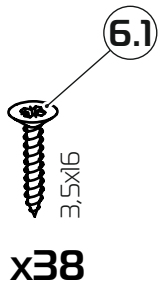
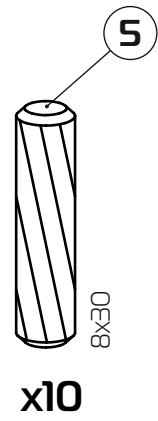
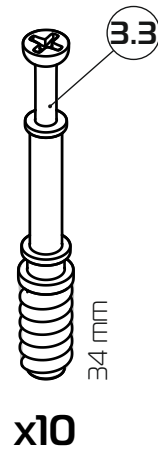
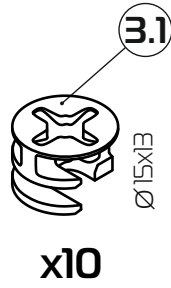
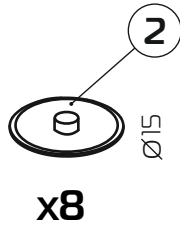
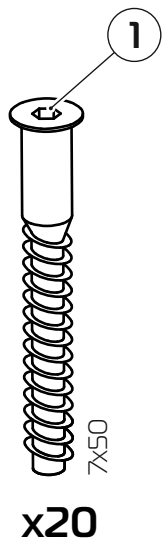
⑧ 514x304x3 (x3)

④ 544x90x16 (x2)

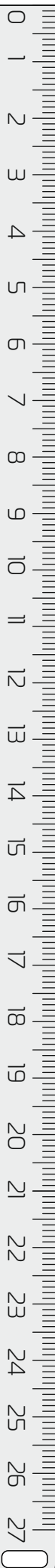
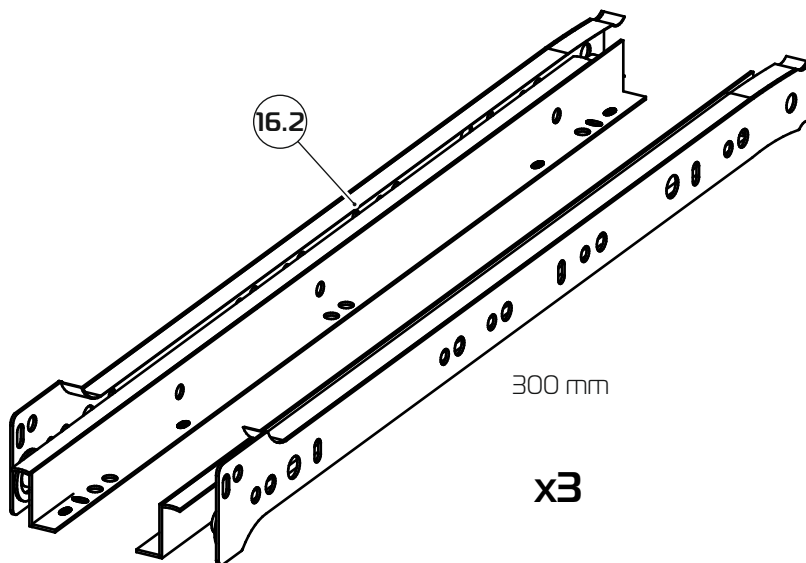
⑨ 378x286/286x3 (x1)

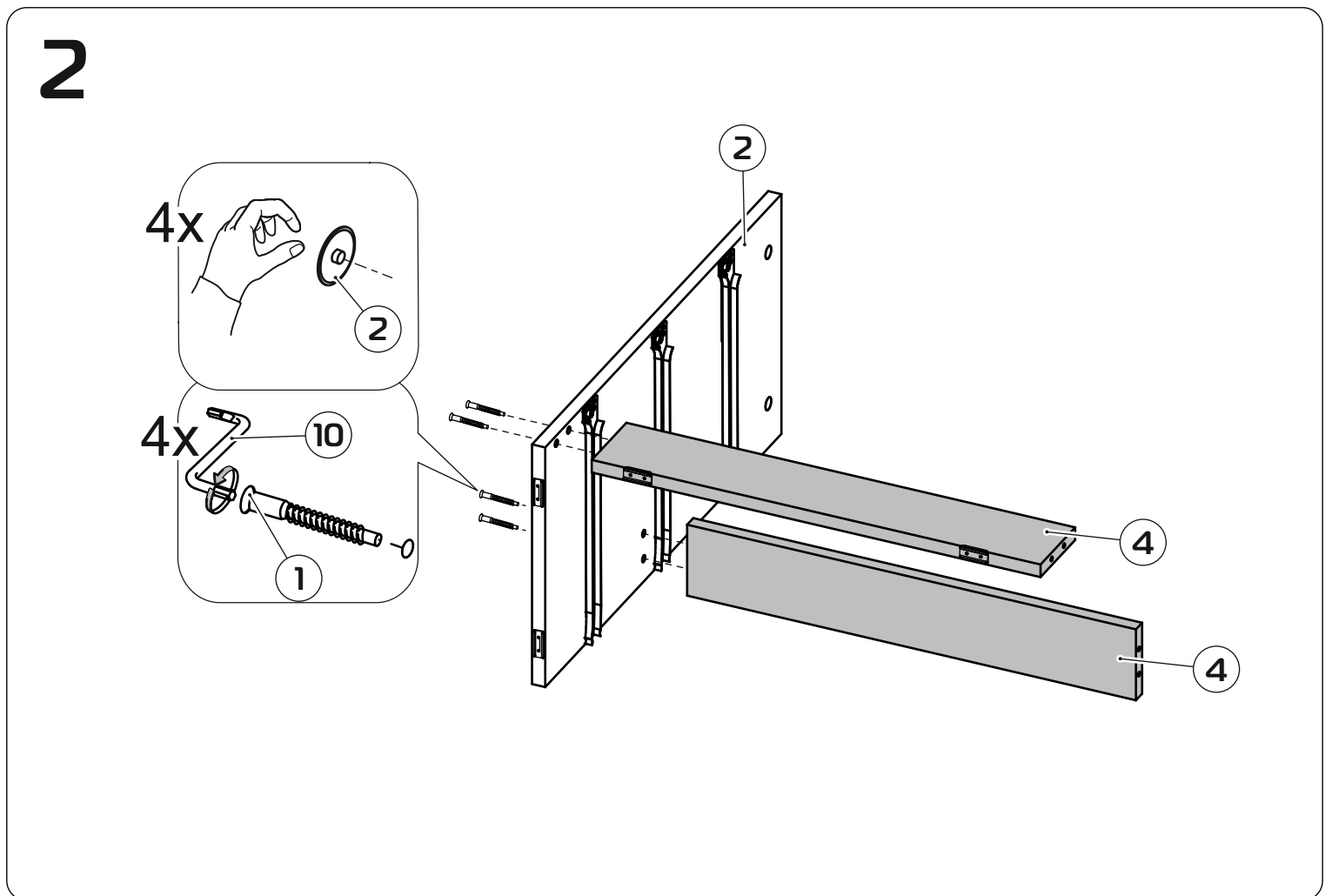
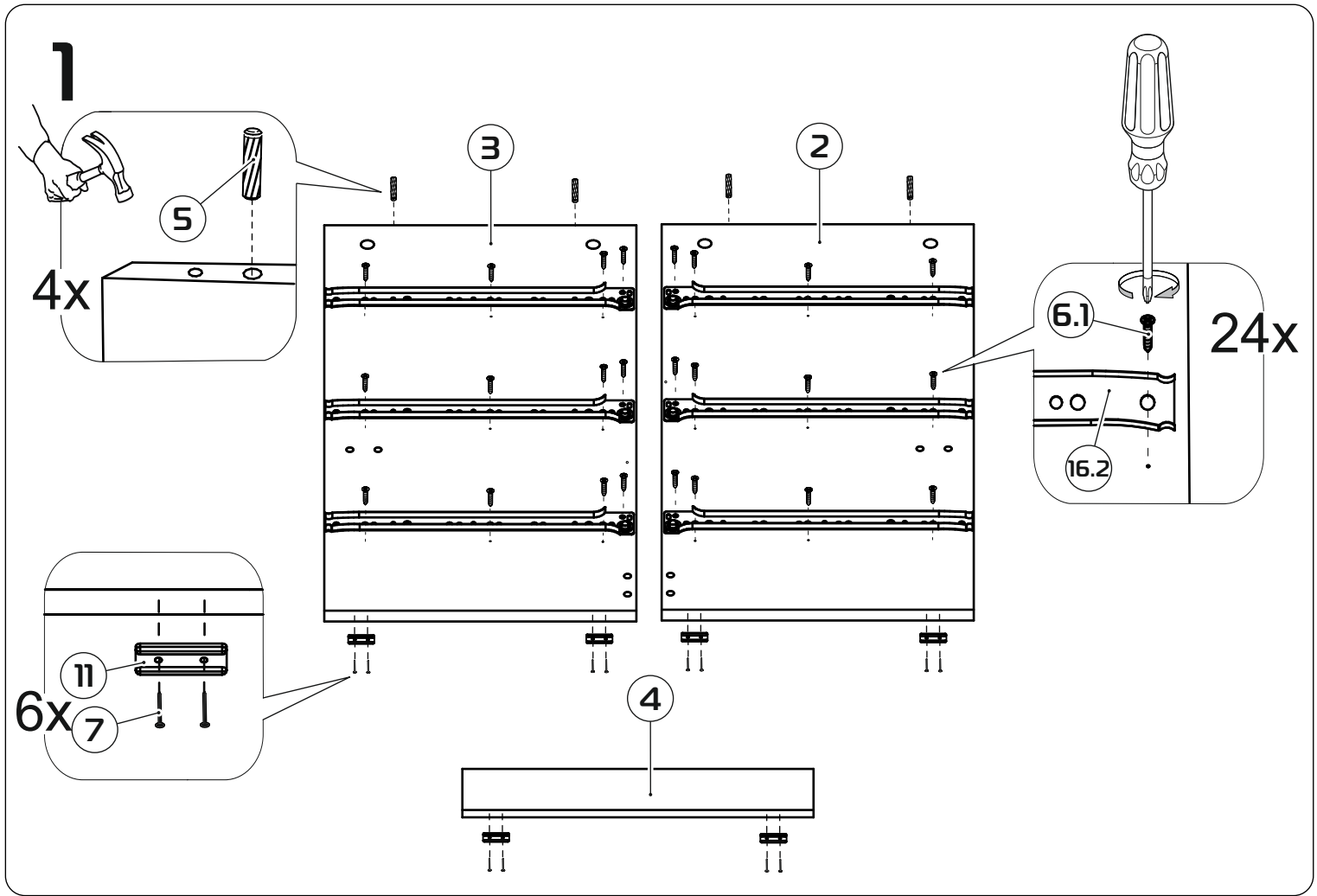
⑤ 610x174x16 (x3)

1:1

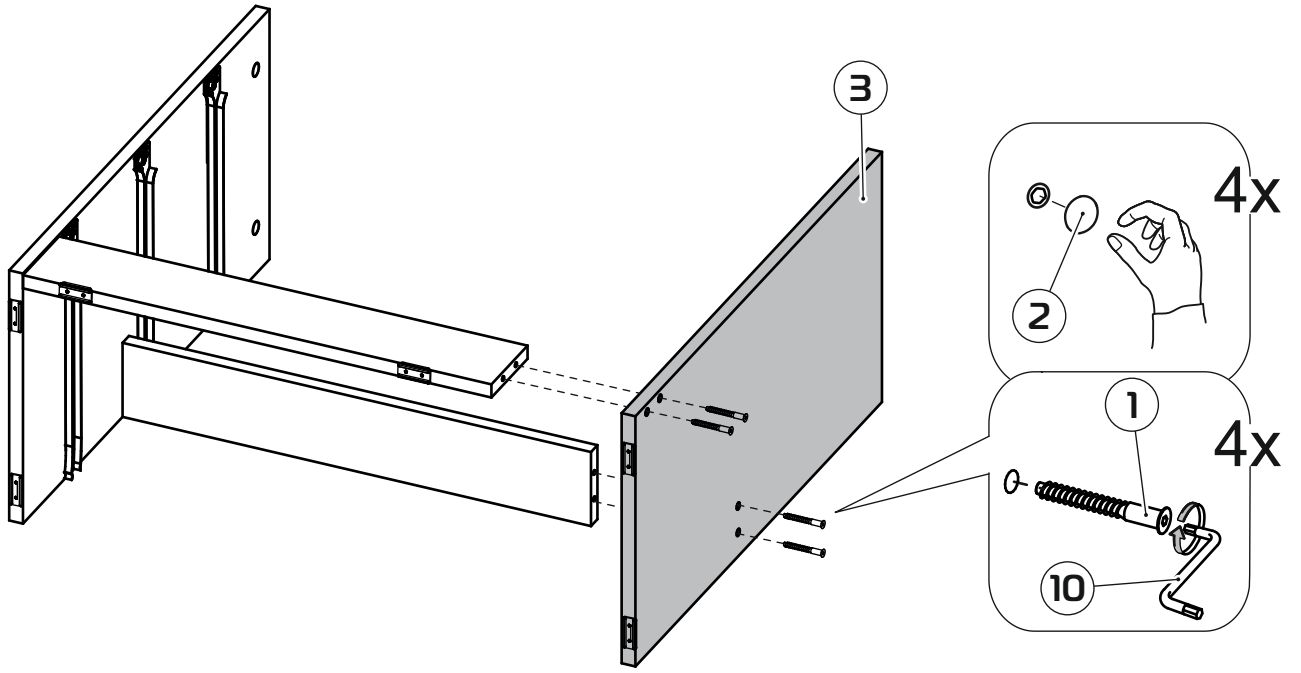


1:2

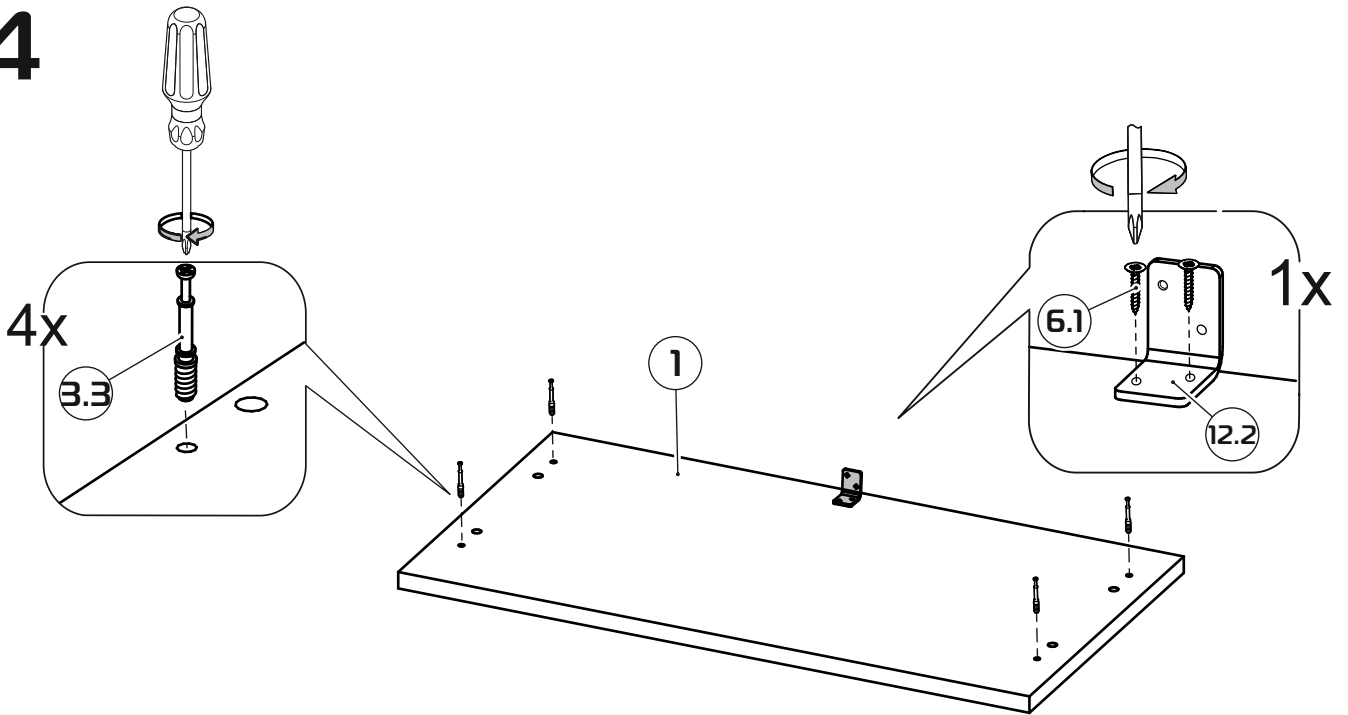




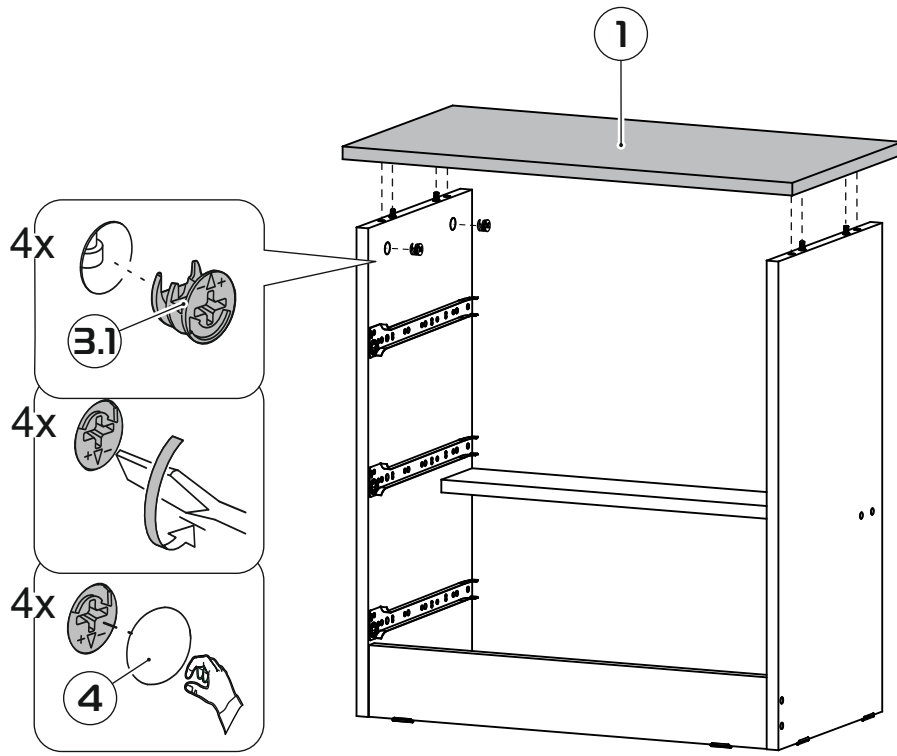
# 3



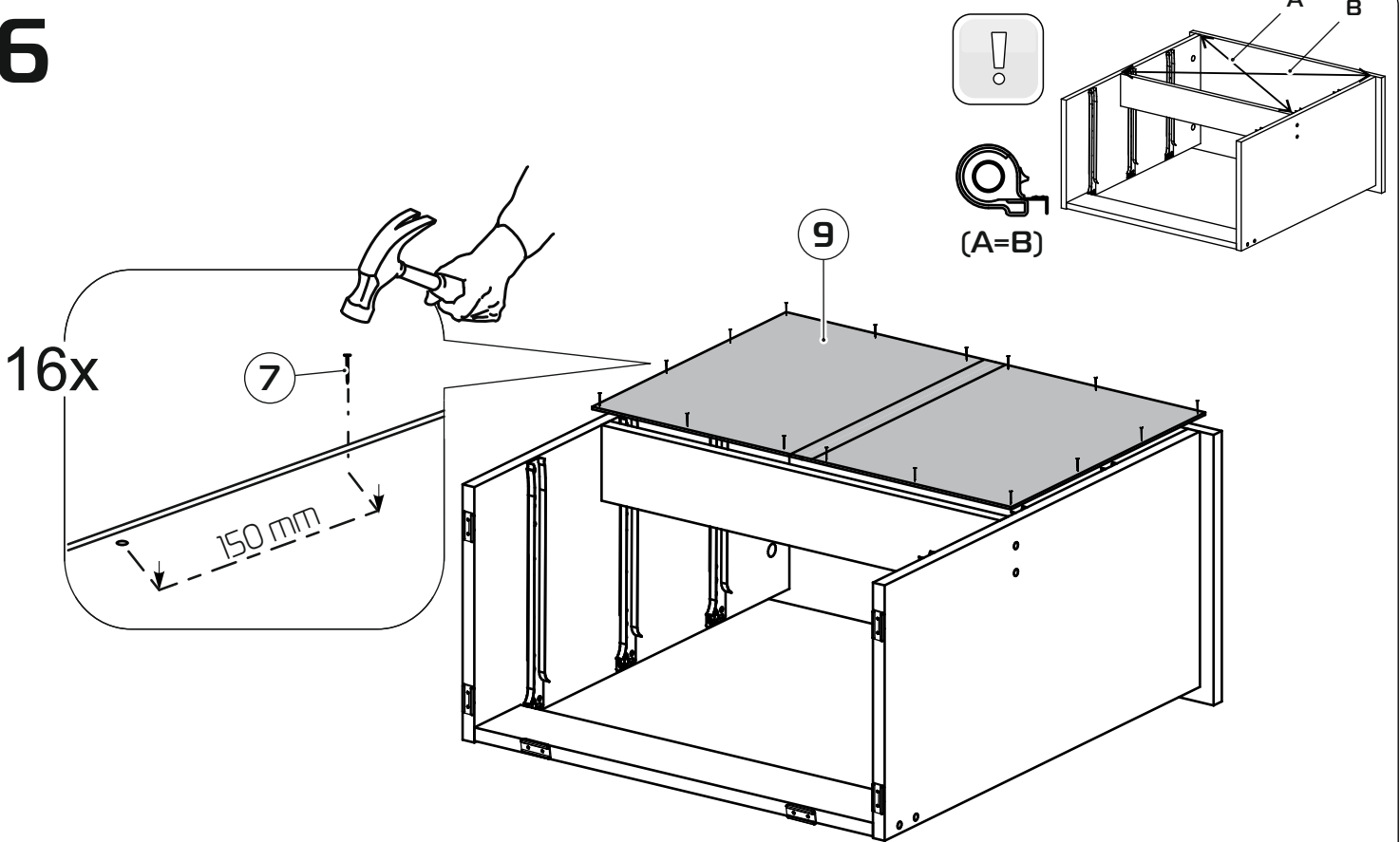
# 4



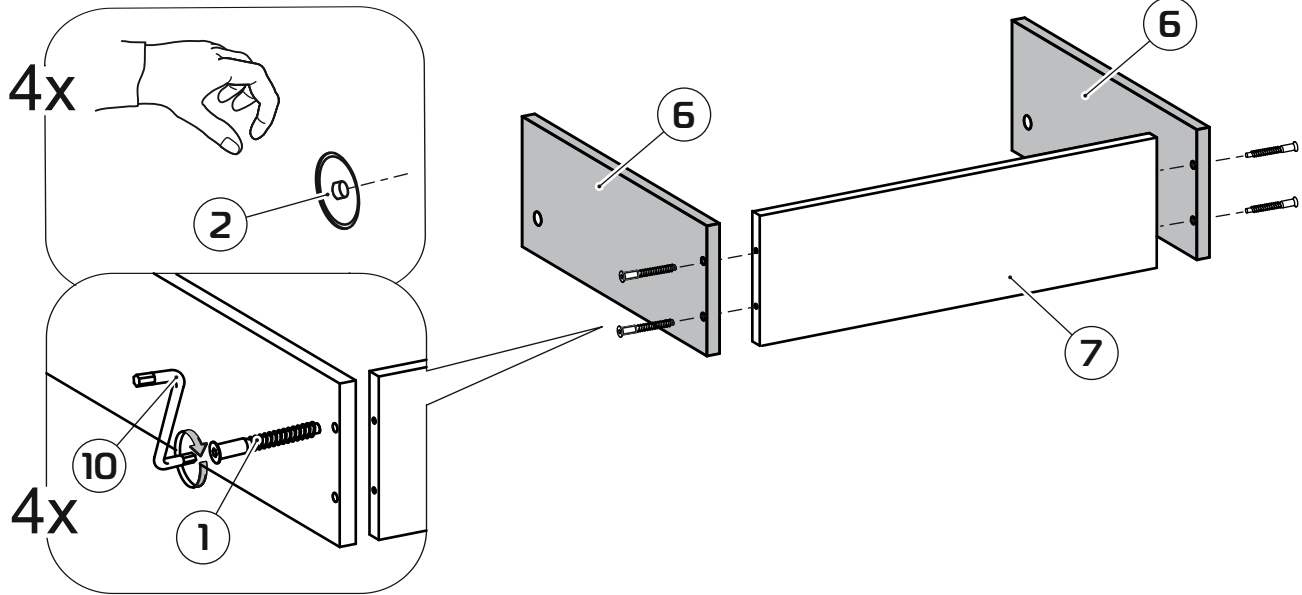
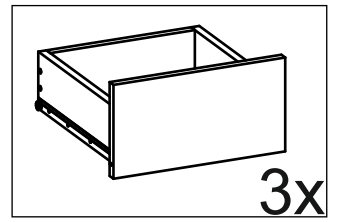
# 5



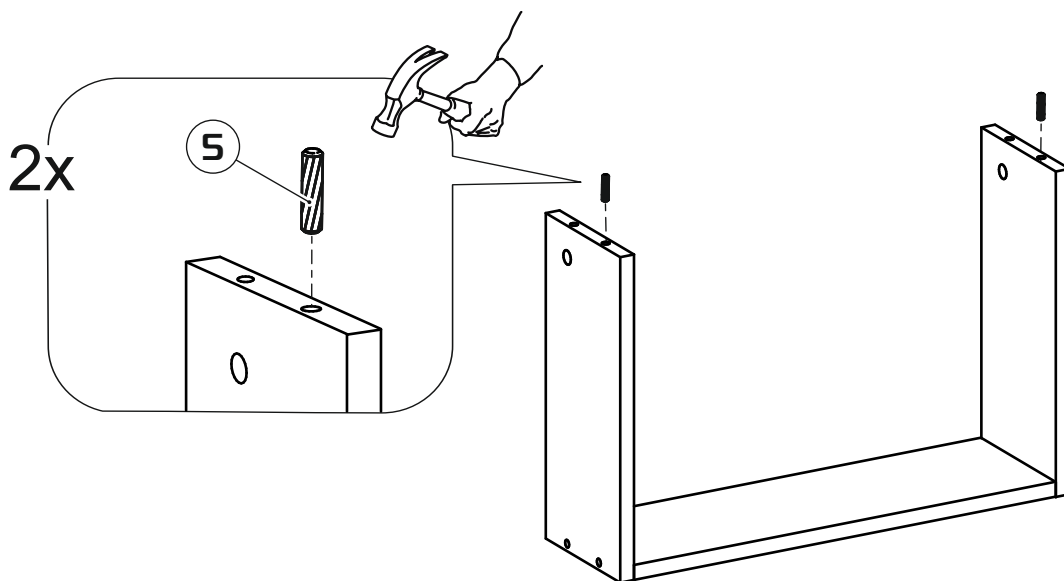
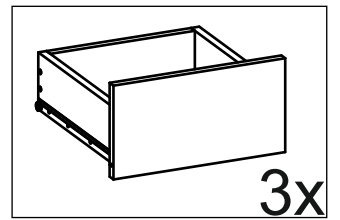
# 6



# 7

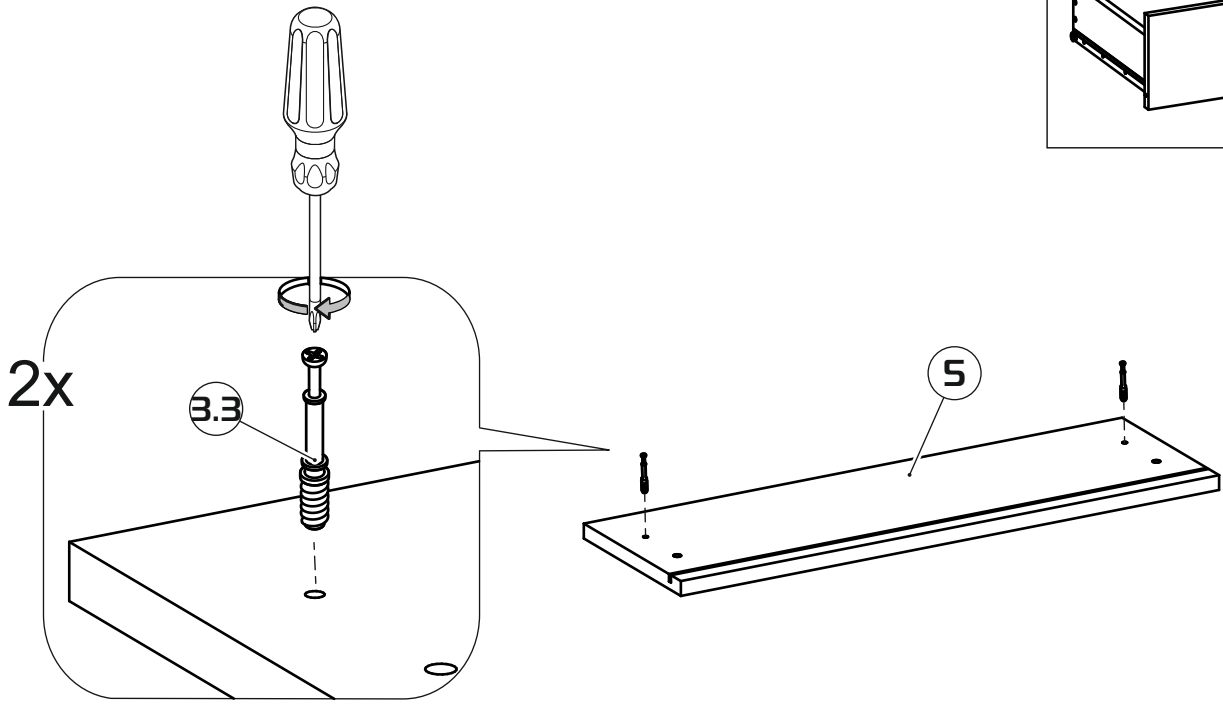


# 8

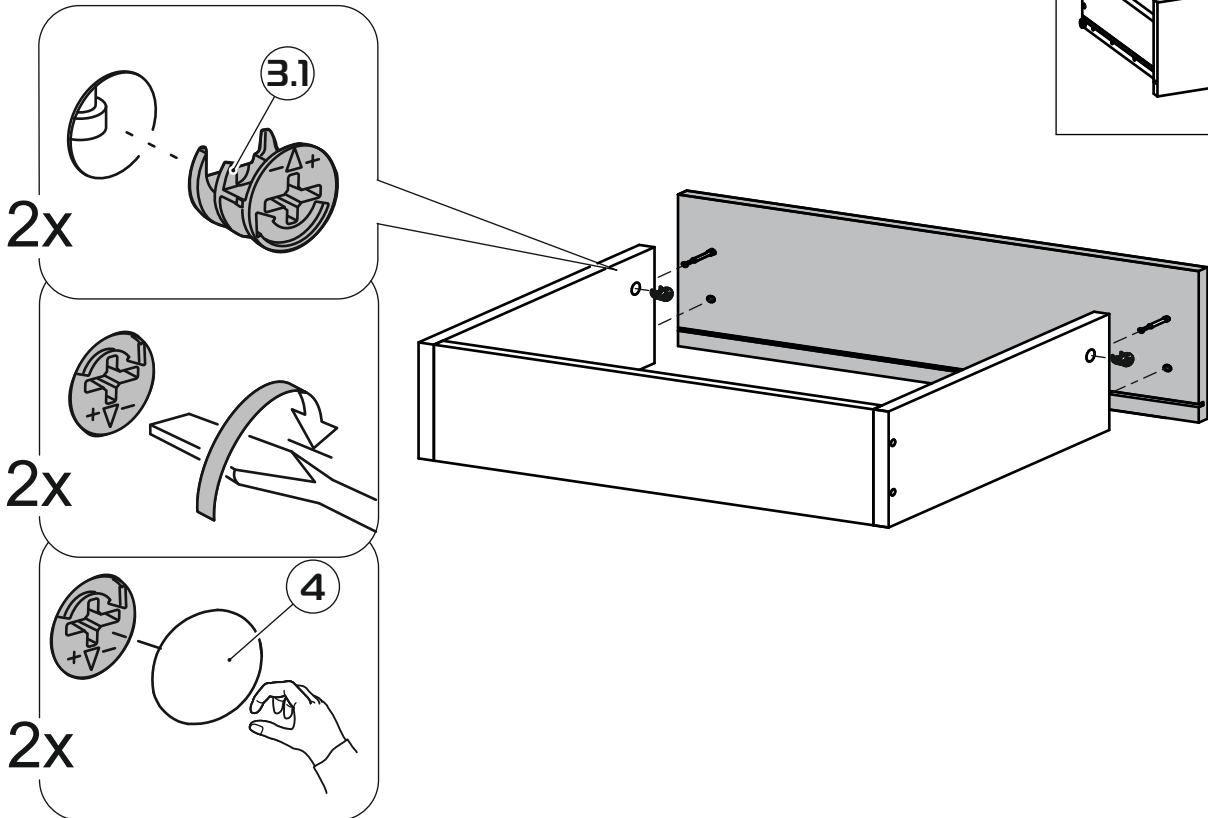




9



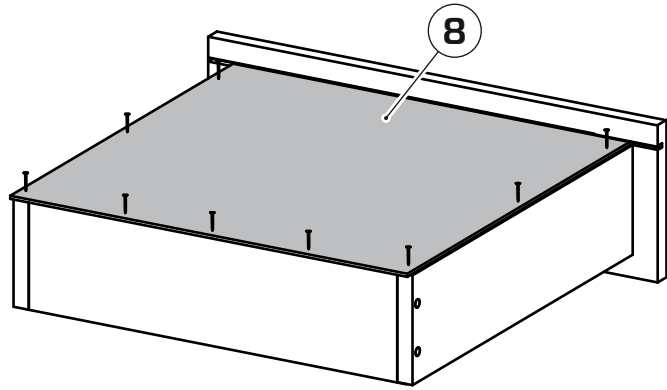
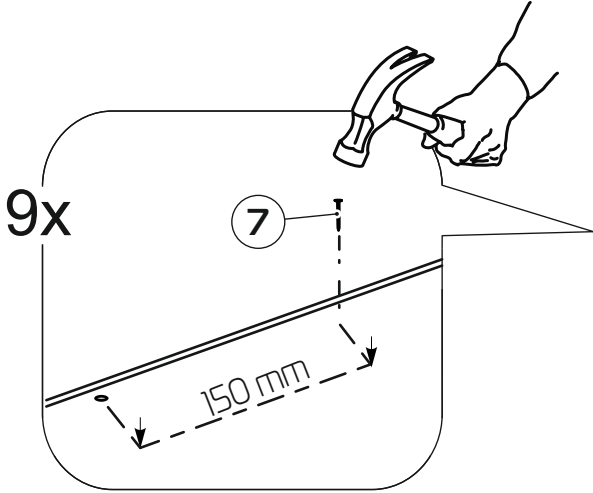
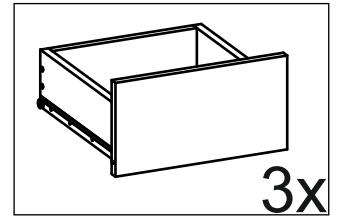
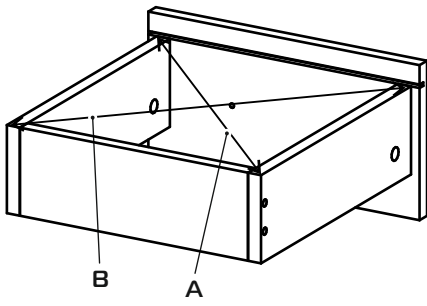
10



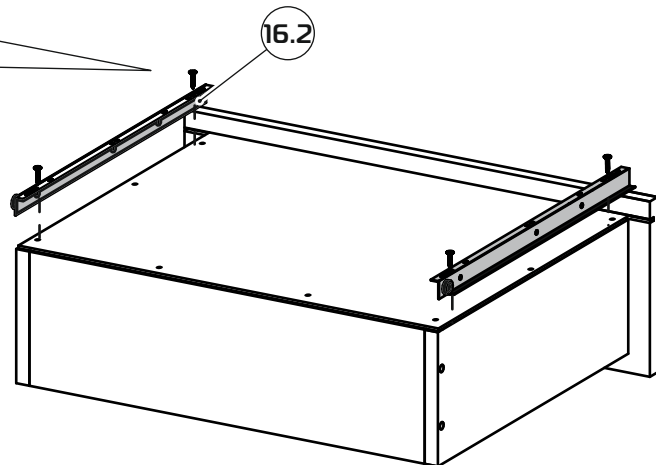
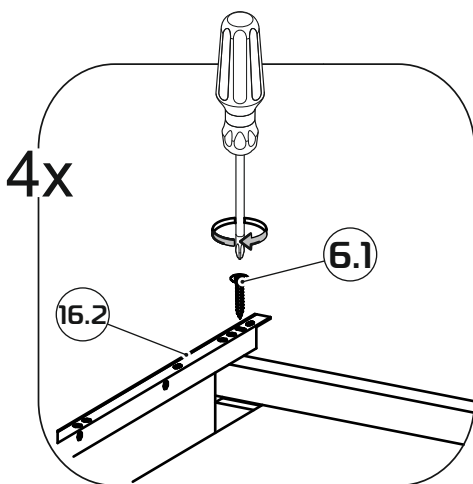
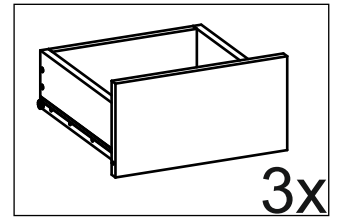
11



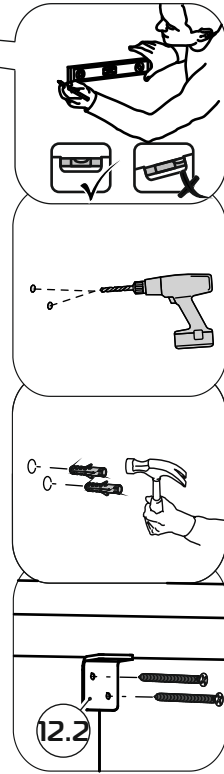
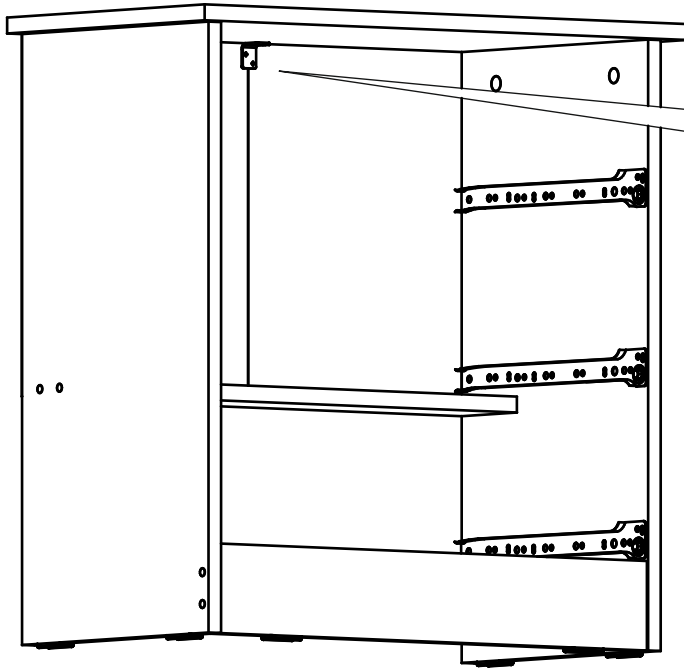
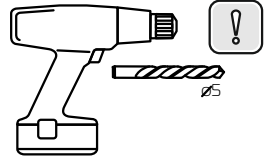
(A=B)



12



# 13



# 14

