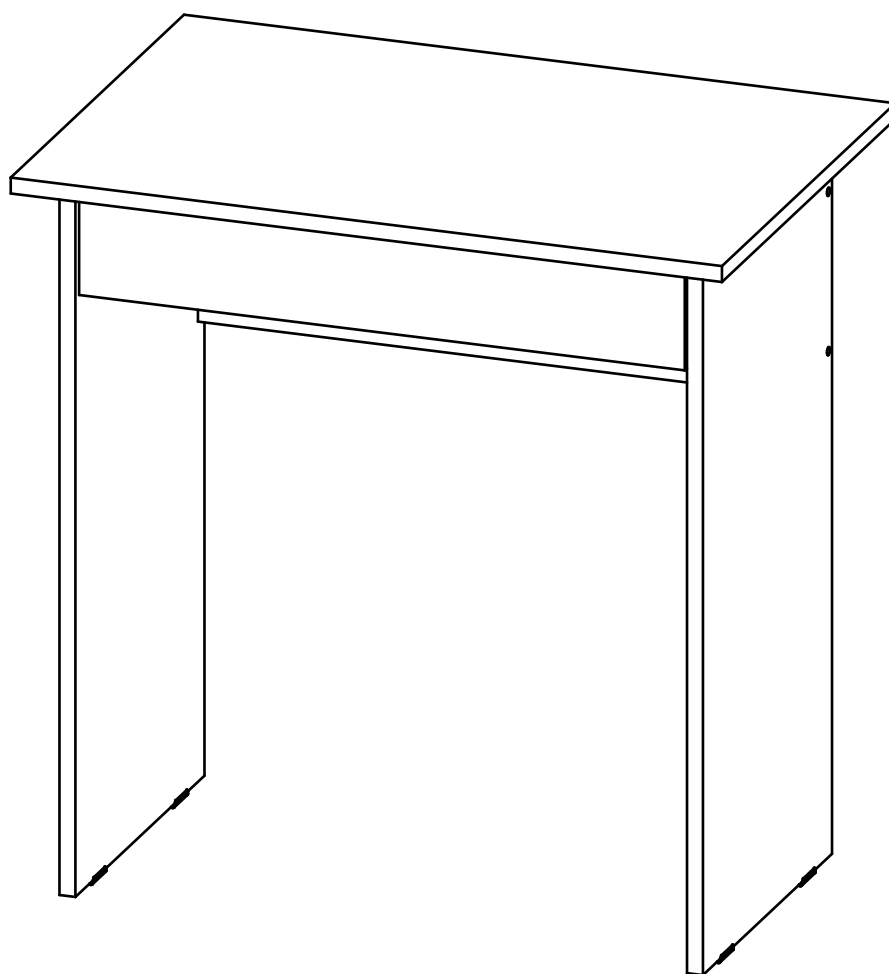
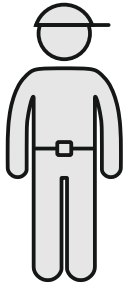


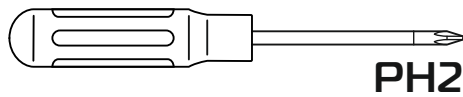
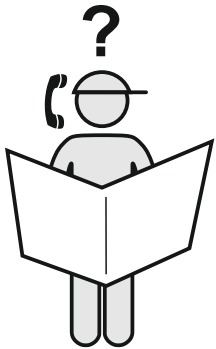
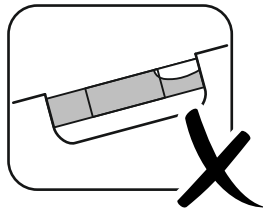
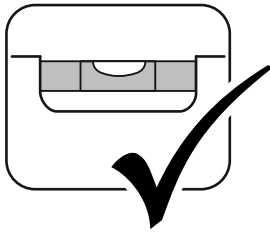
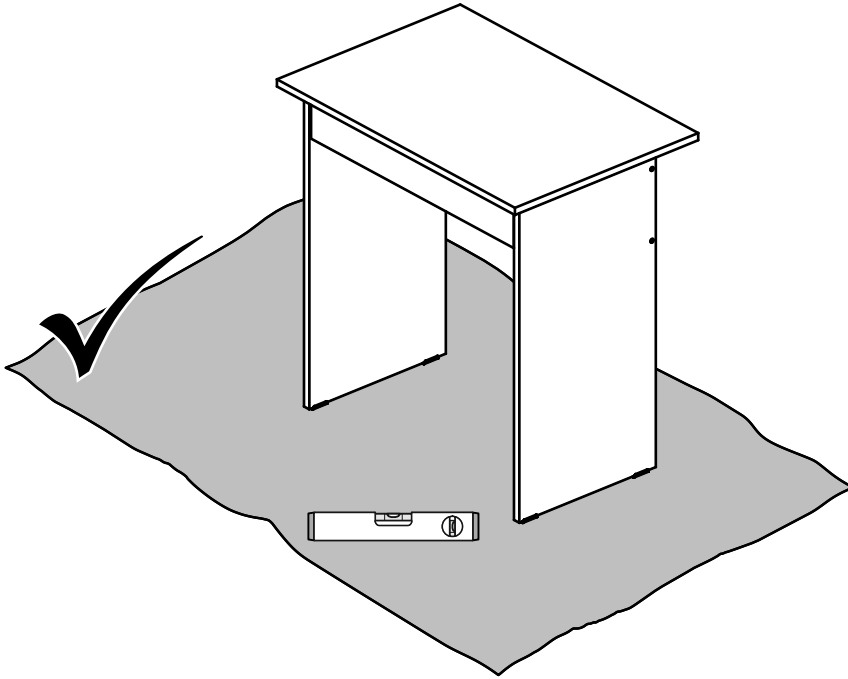
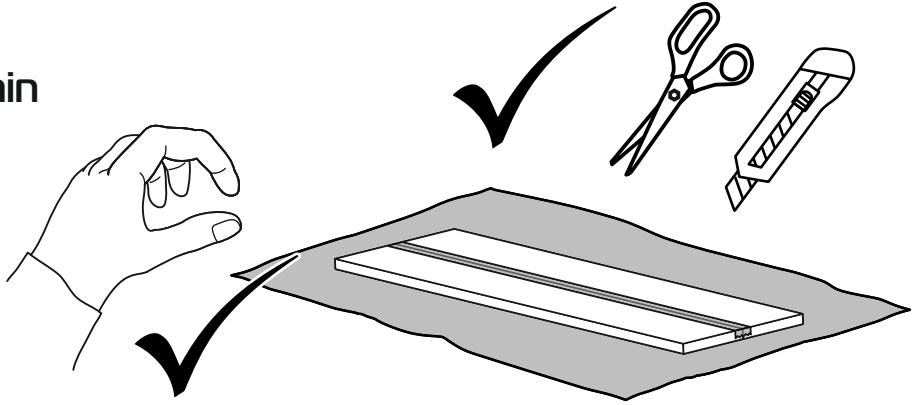
YHO-2

UNO-2

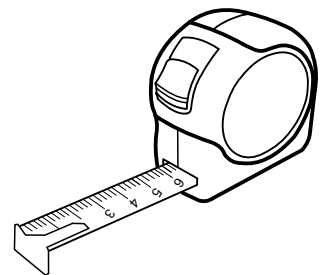
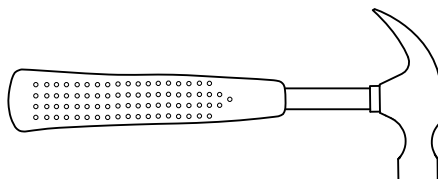
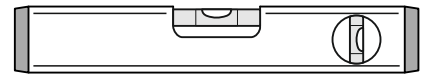


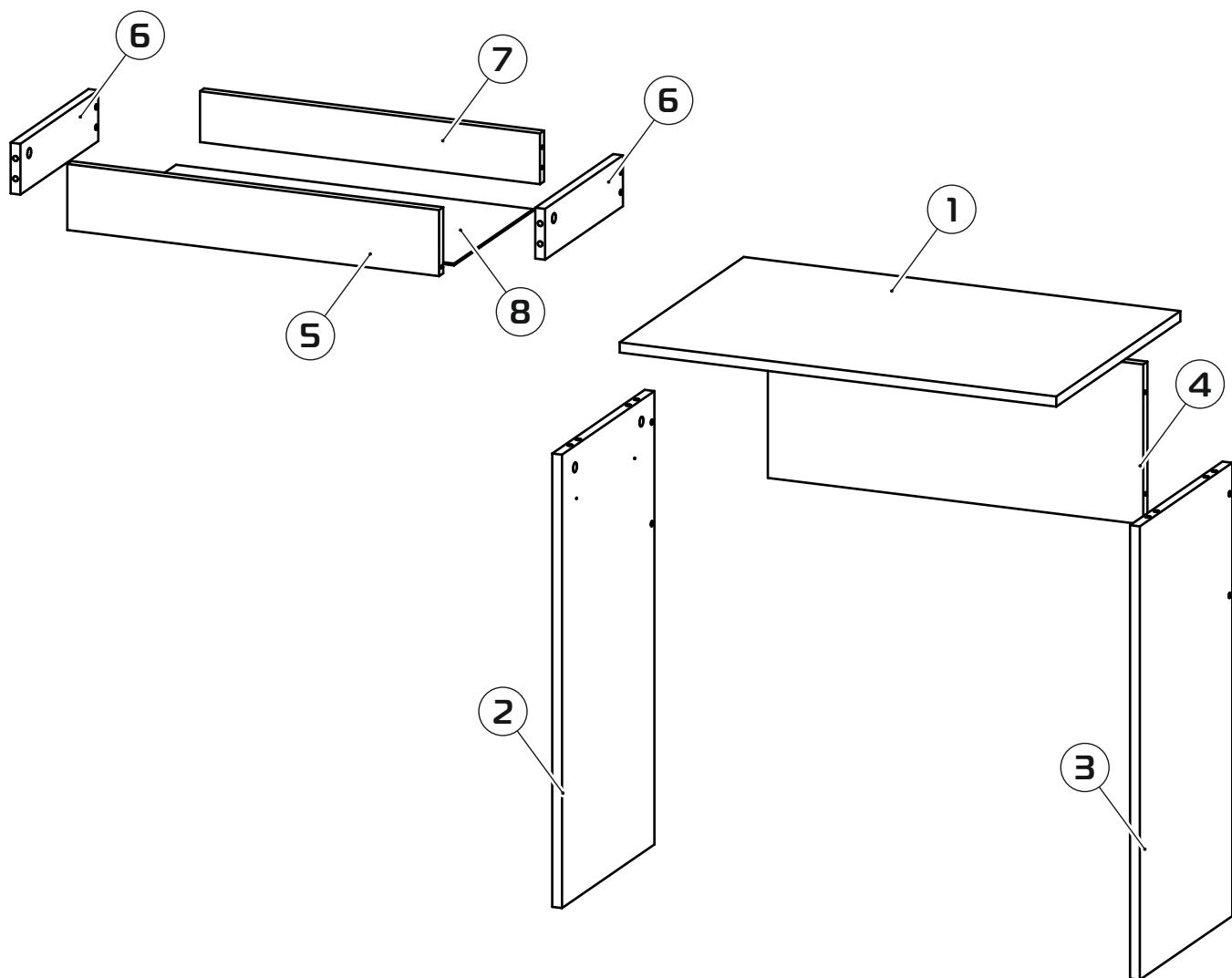


30-40 min



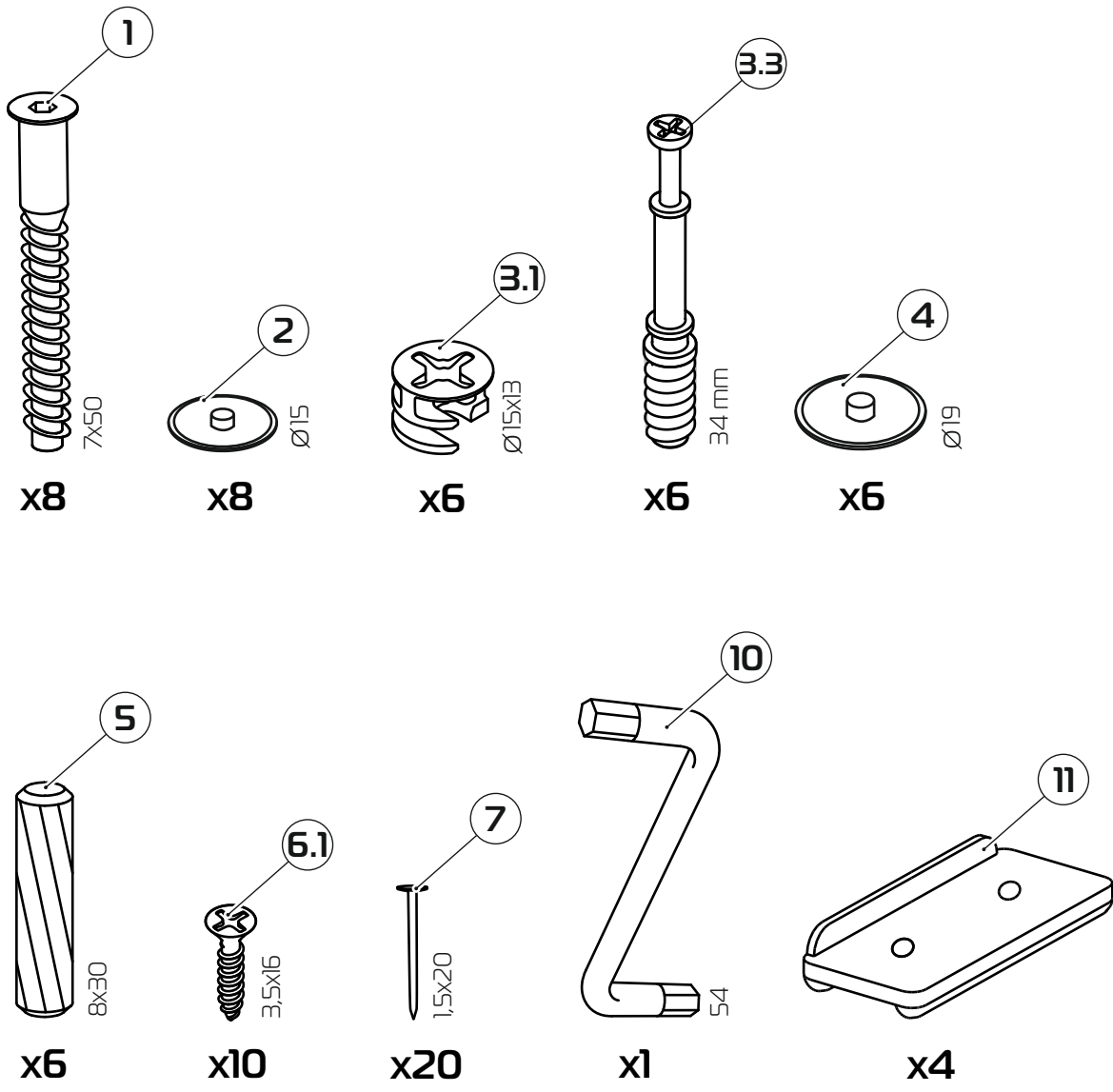
PH2



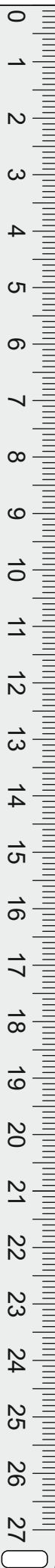
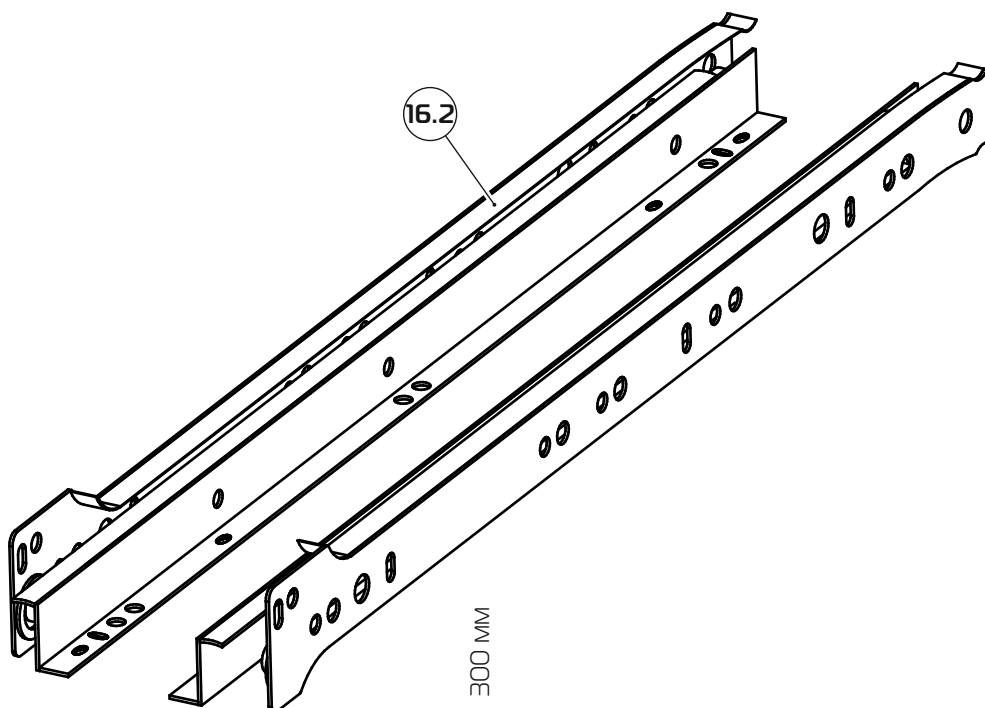


- ① 714x478x16 (x1)
- ② 714x356x16 (x1)
- ③ 714x356x16 (x1)
- ④ 614x252x16 (x1)
- ⑤ 608x104x16 (x1)
- ⑥ 300x80x16 (x2)
- ⑦ 556x80x16 (x1)
- ⑧ 584x305x3 (x1)

1:1

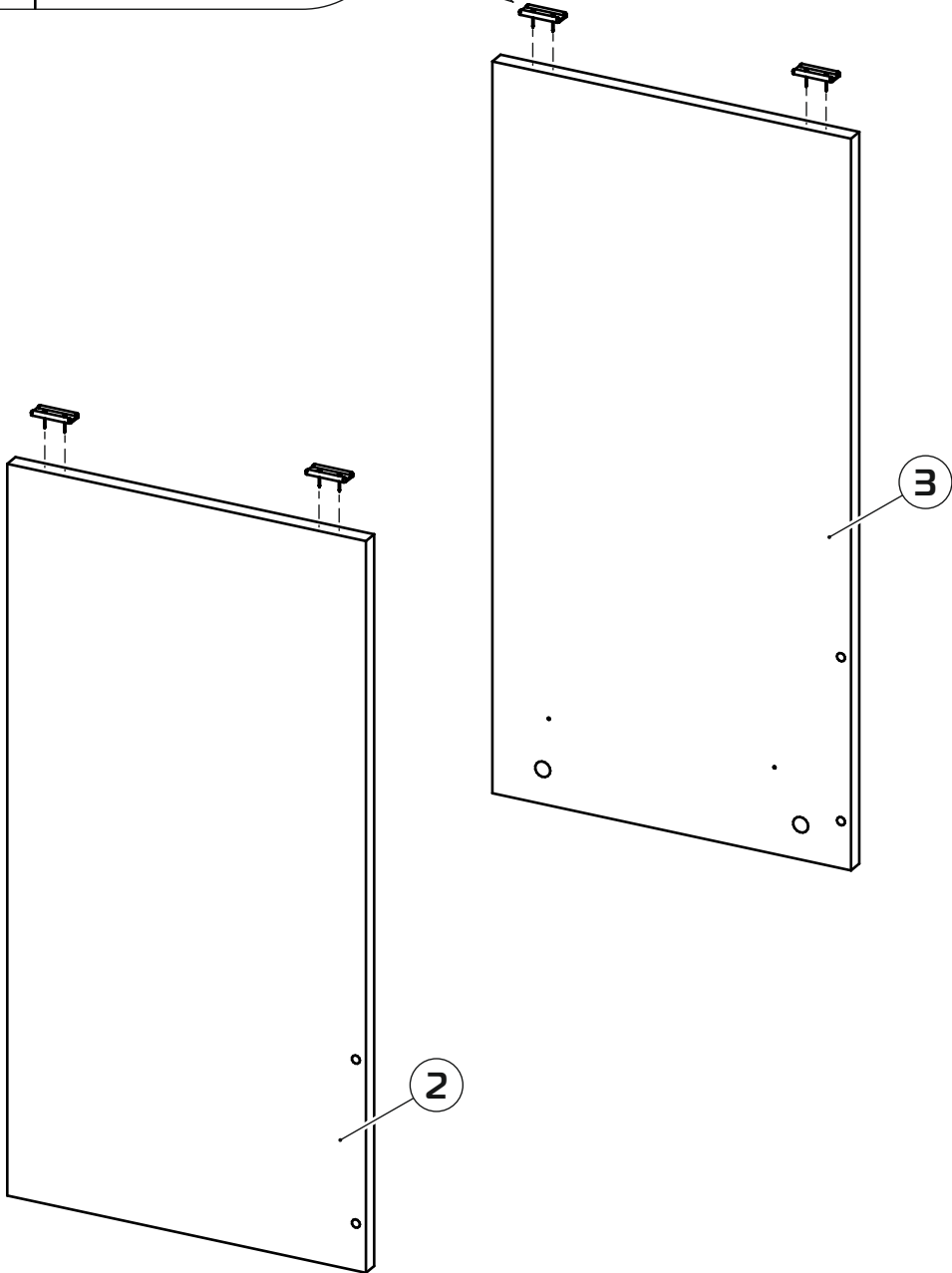
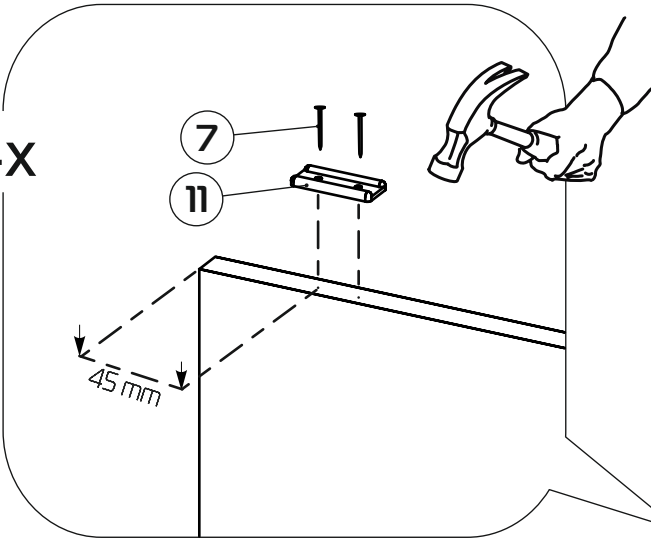


1:2

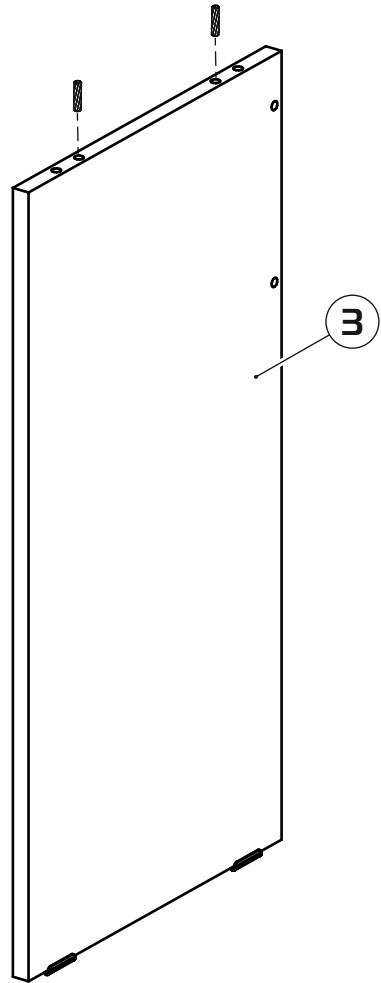
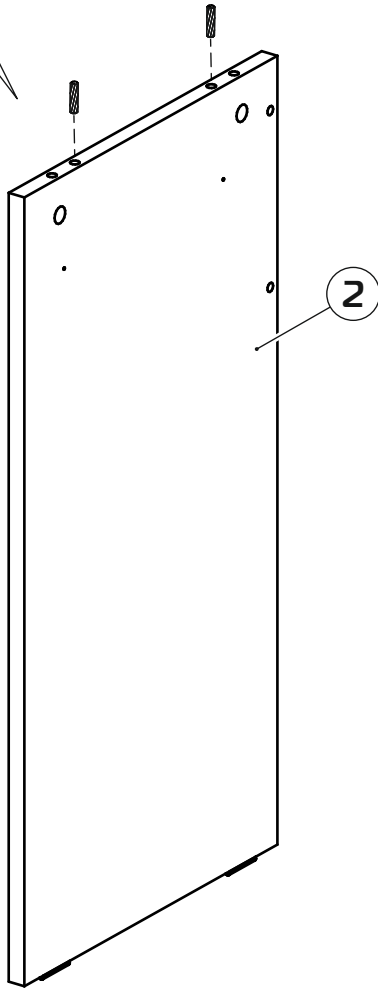
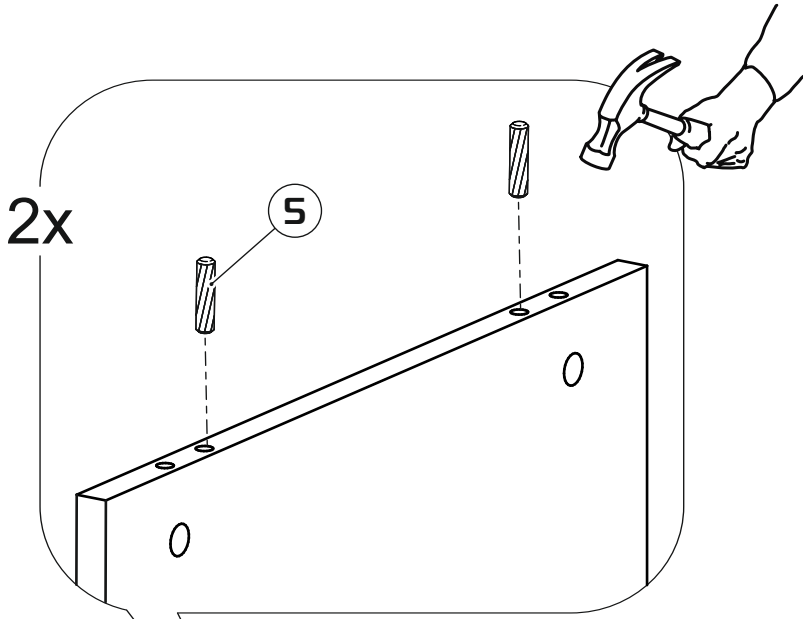


1

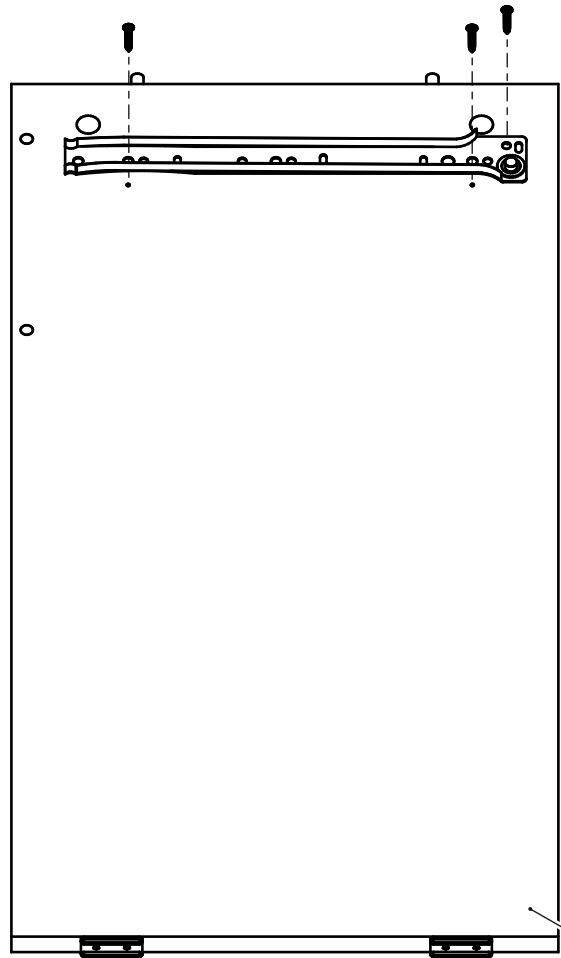
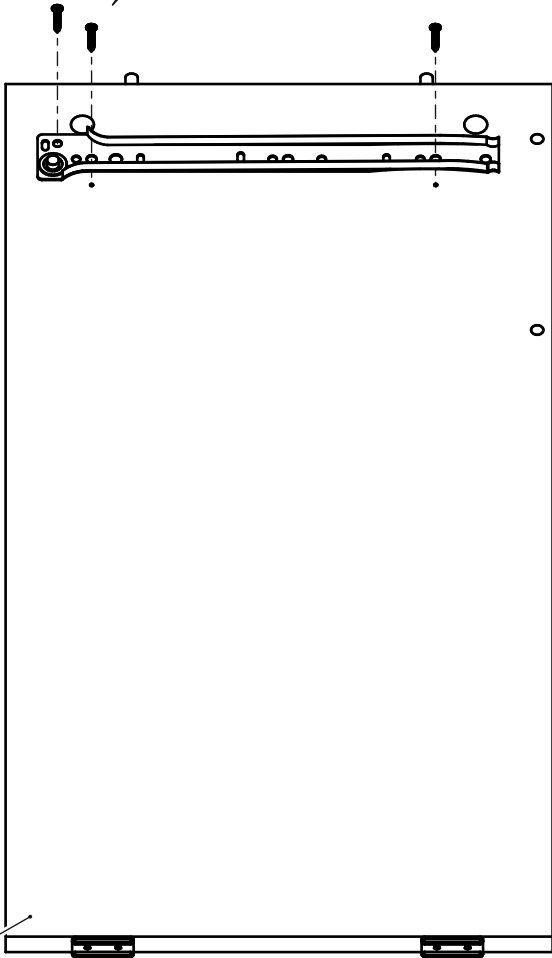
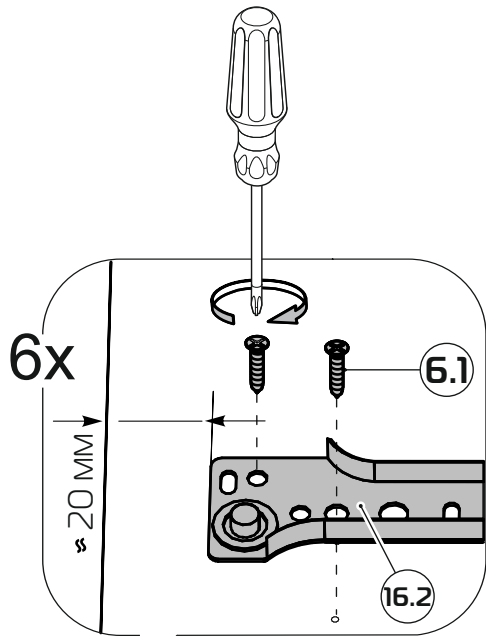
4x



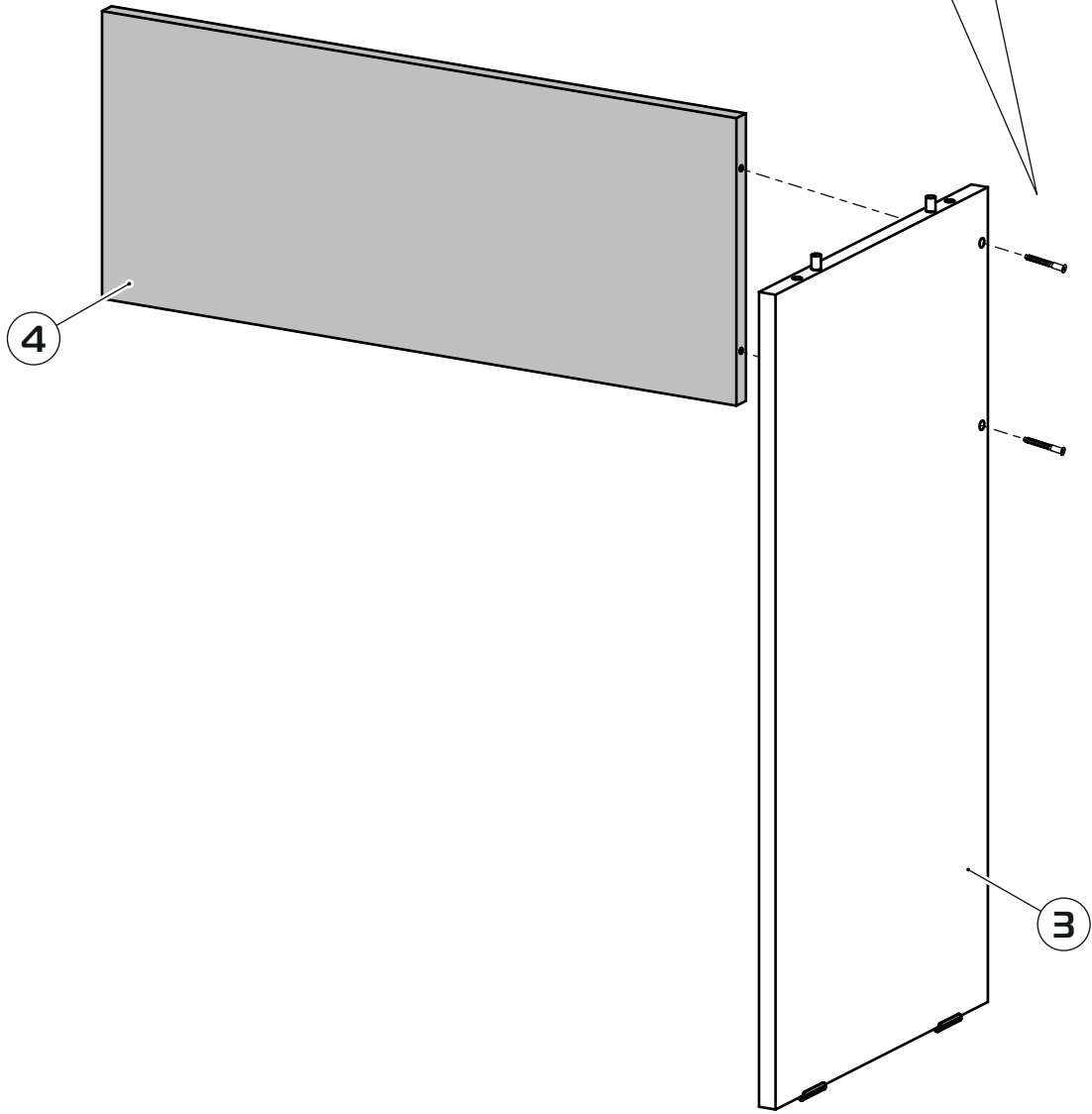
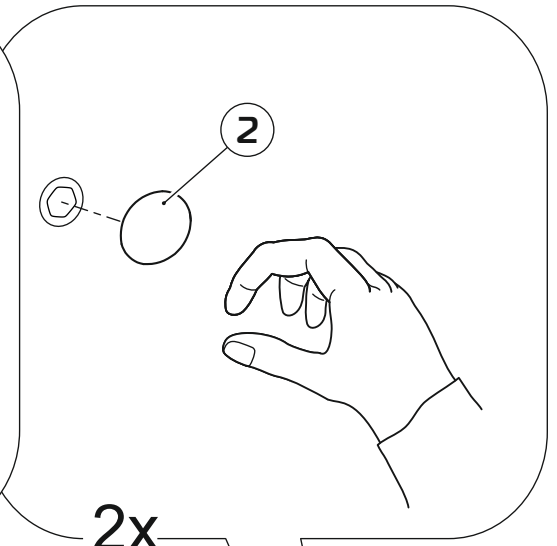
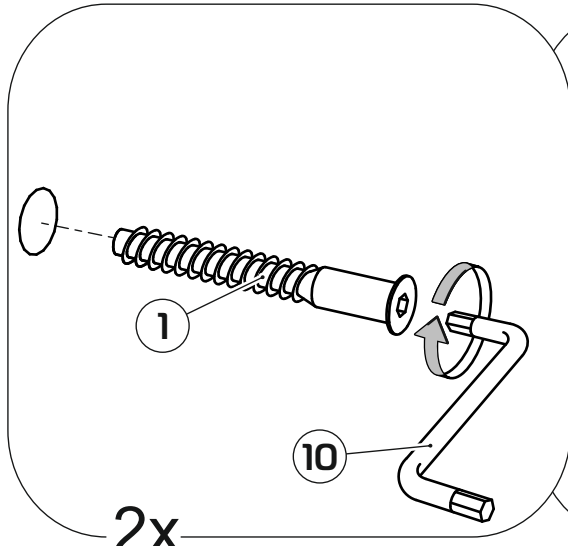
2



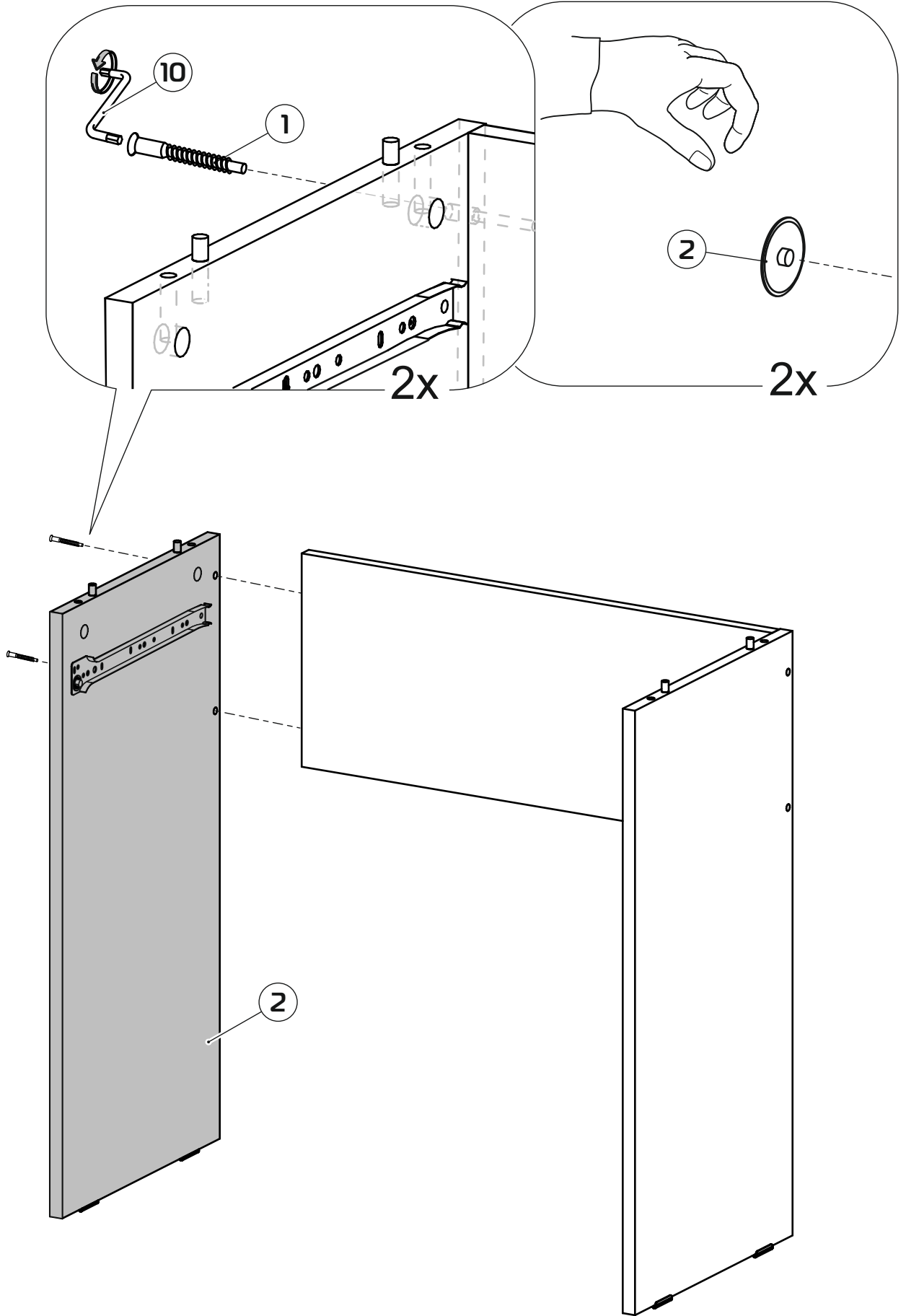
3



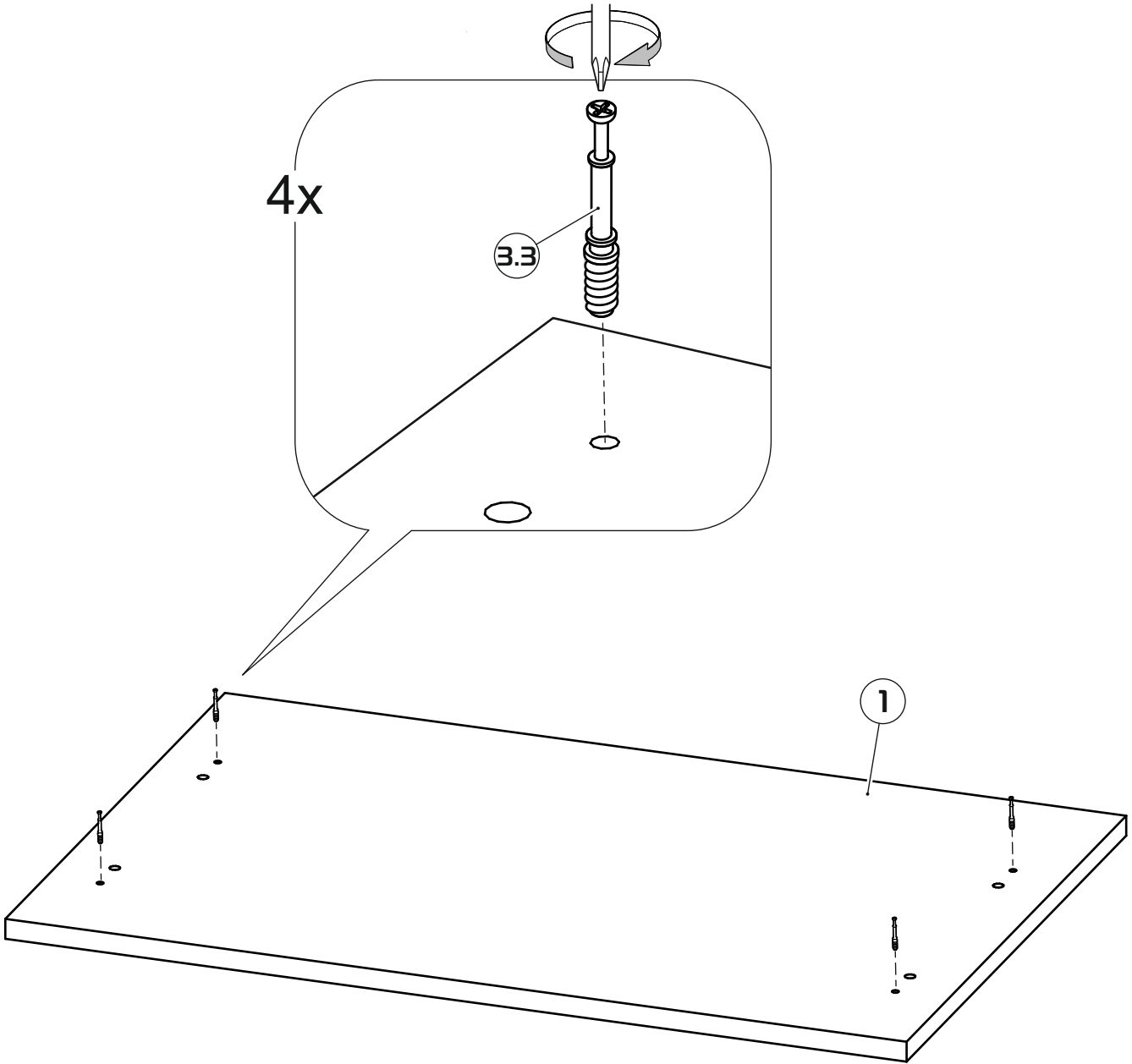
4



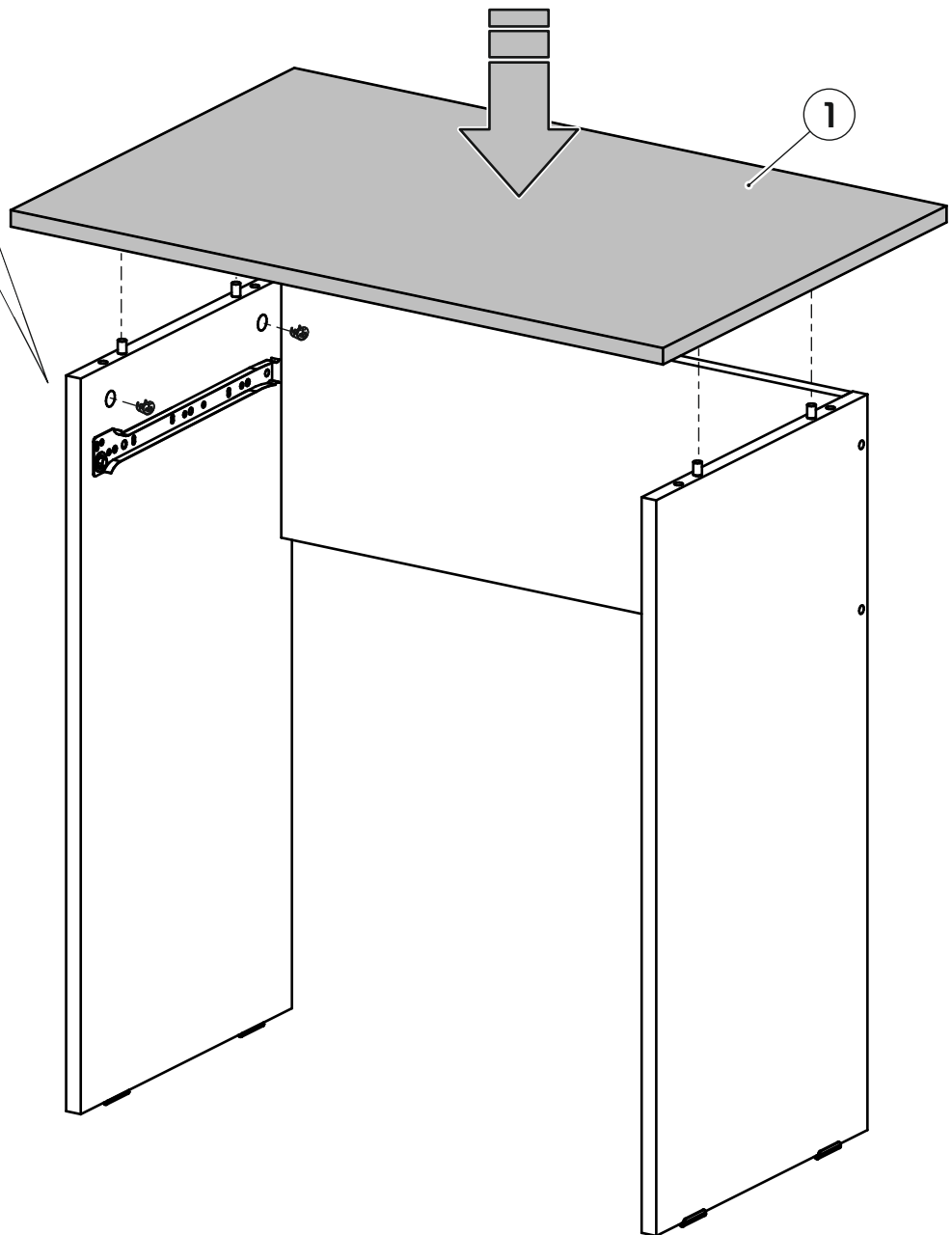
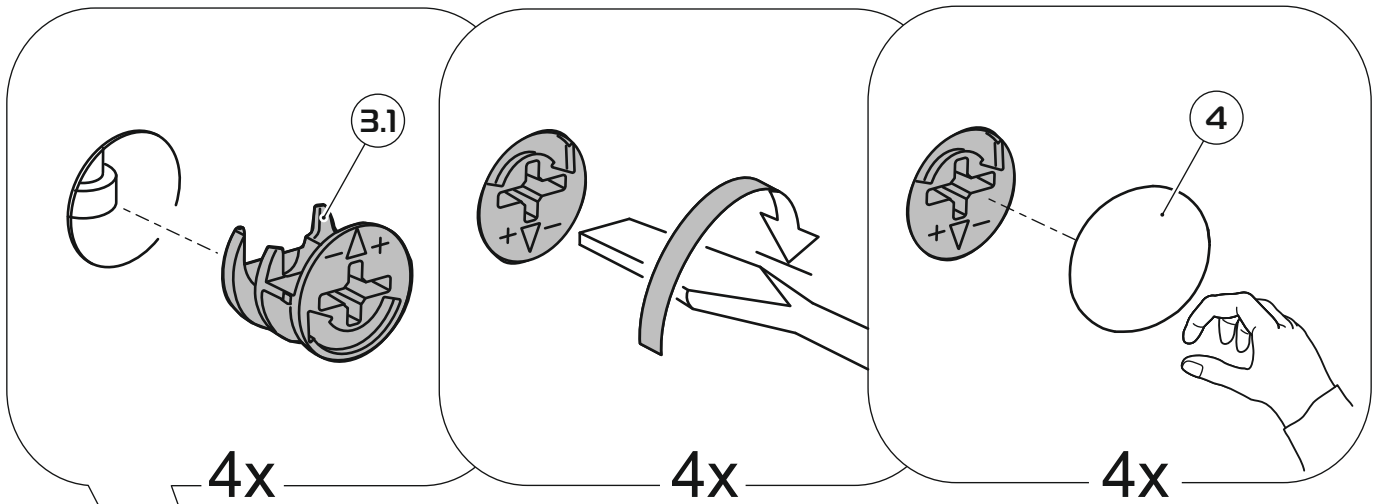
5



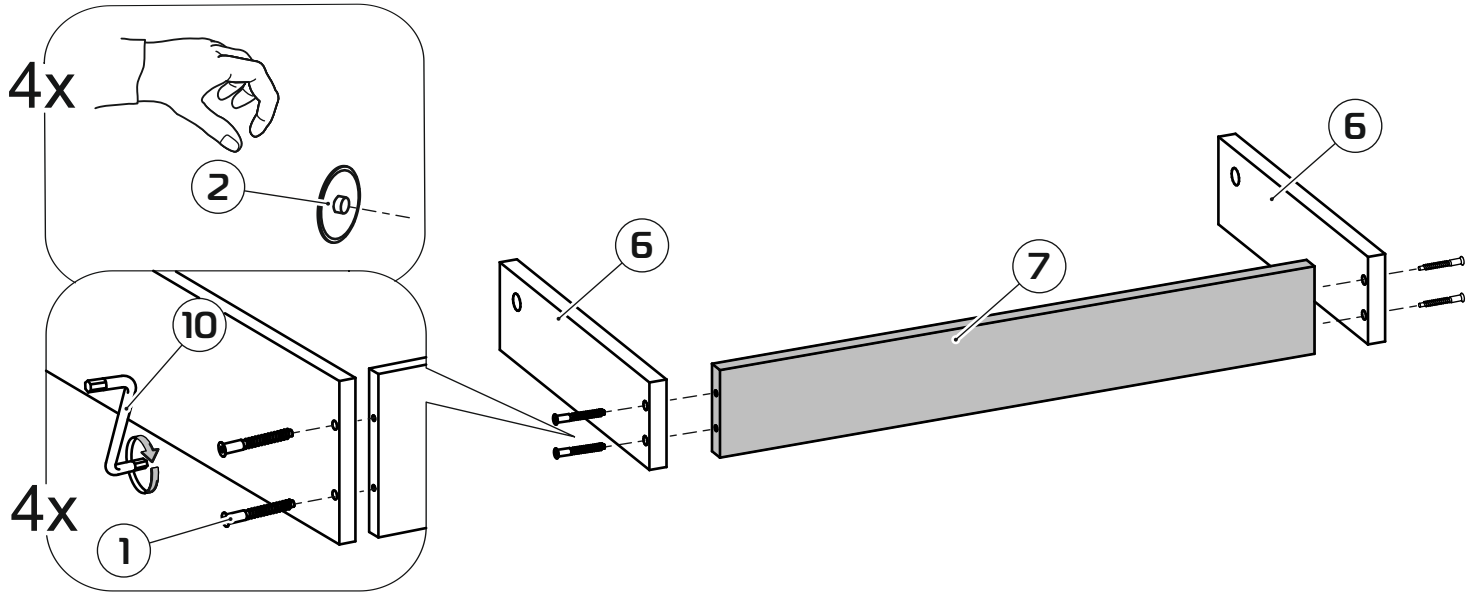
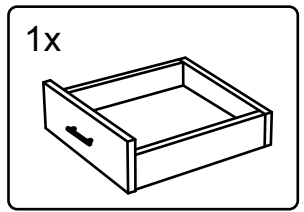
6



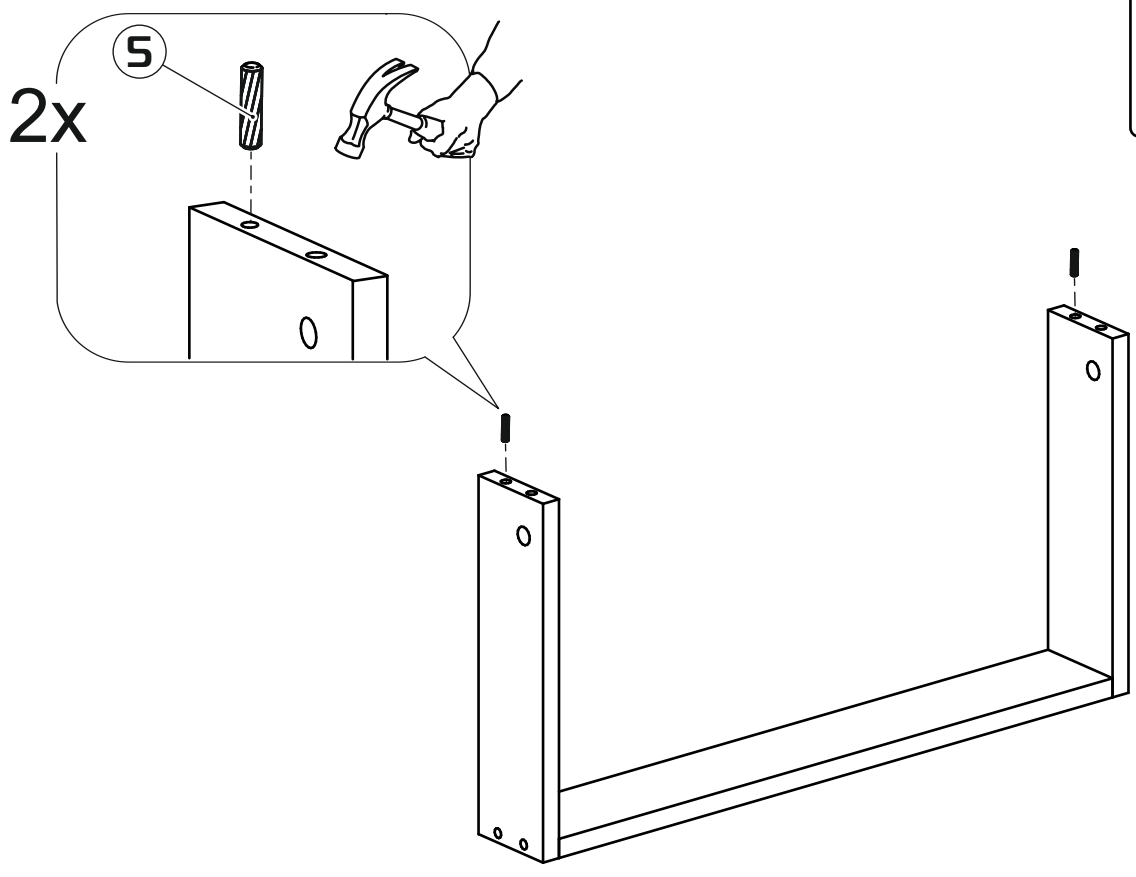
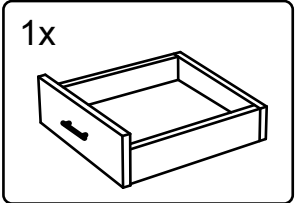
7



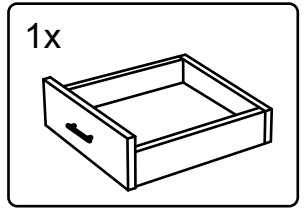
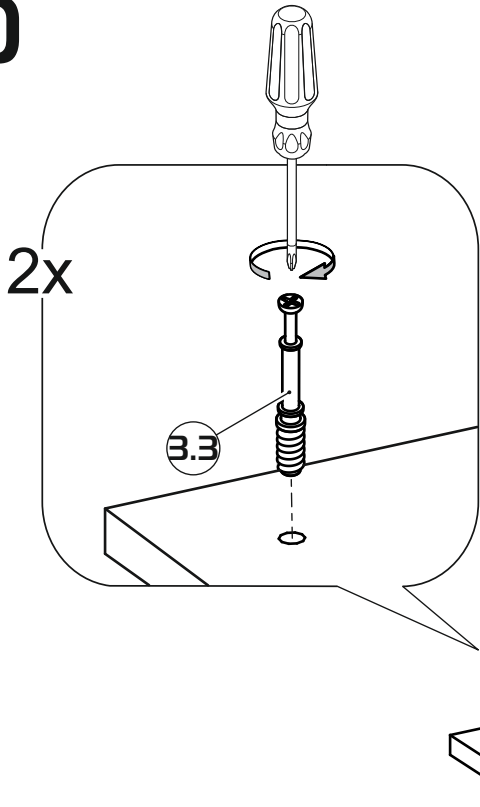
8



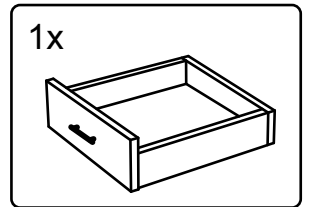
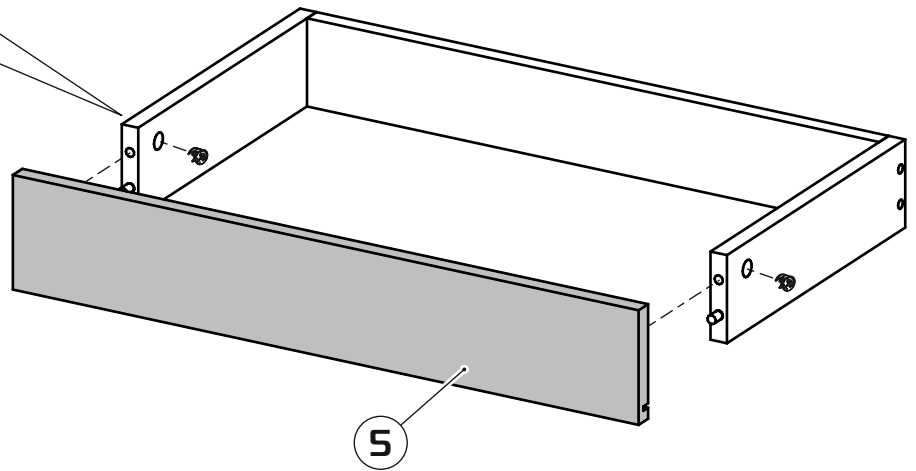
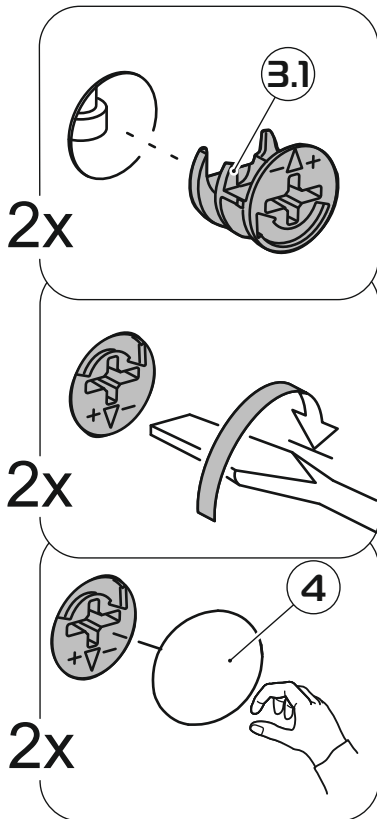
9



10



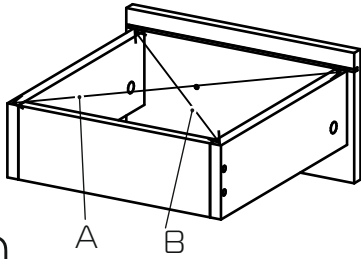
11



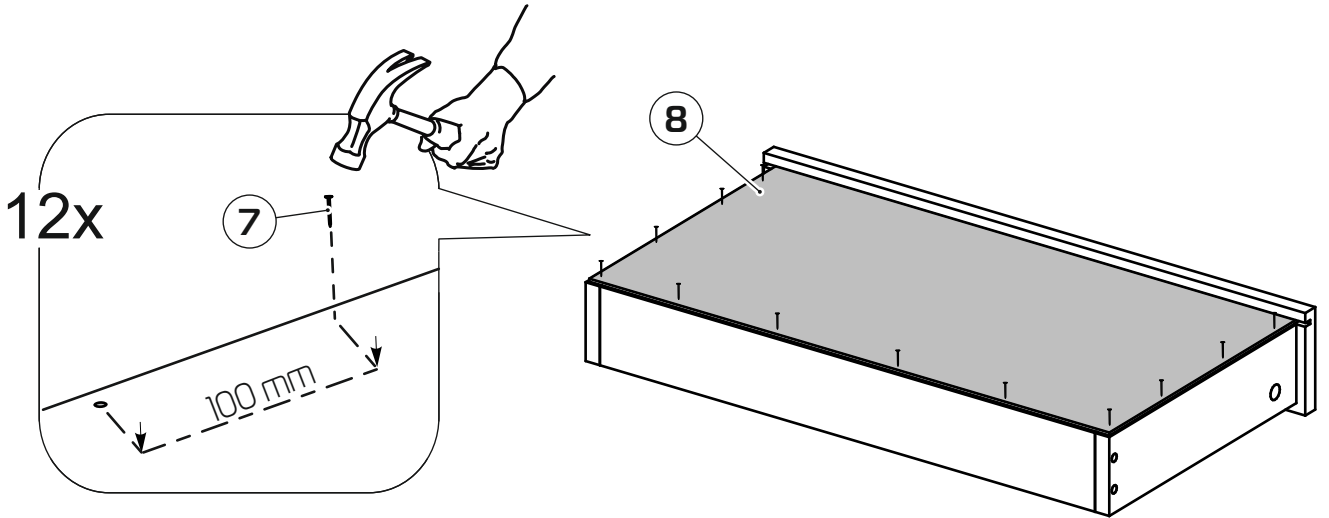
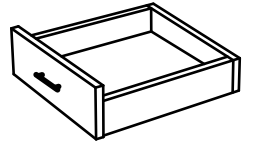
12



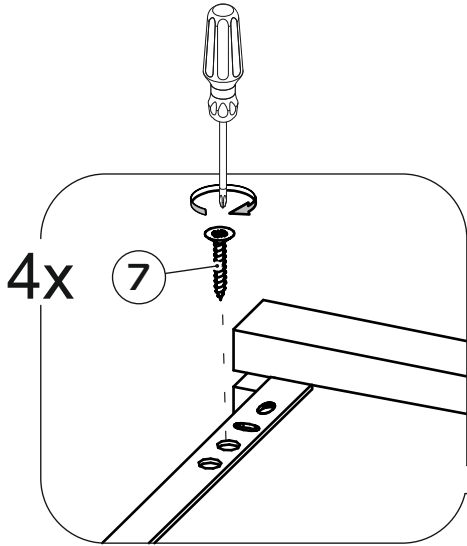
(A=B)



1x



13



1x

