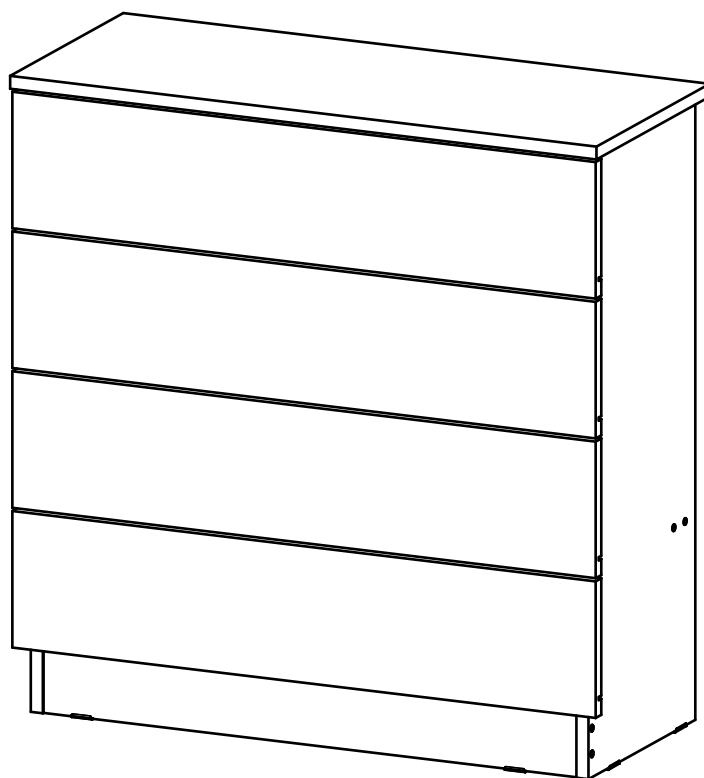


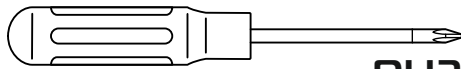
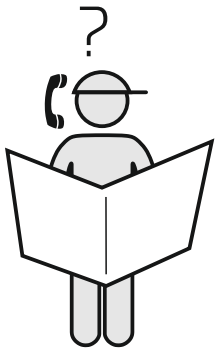
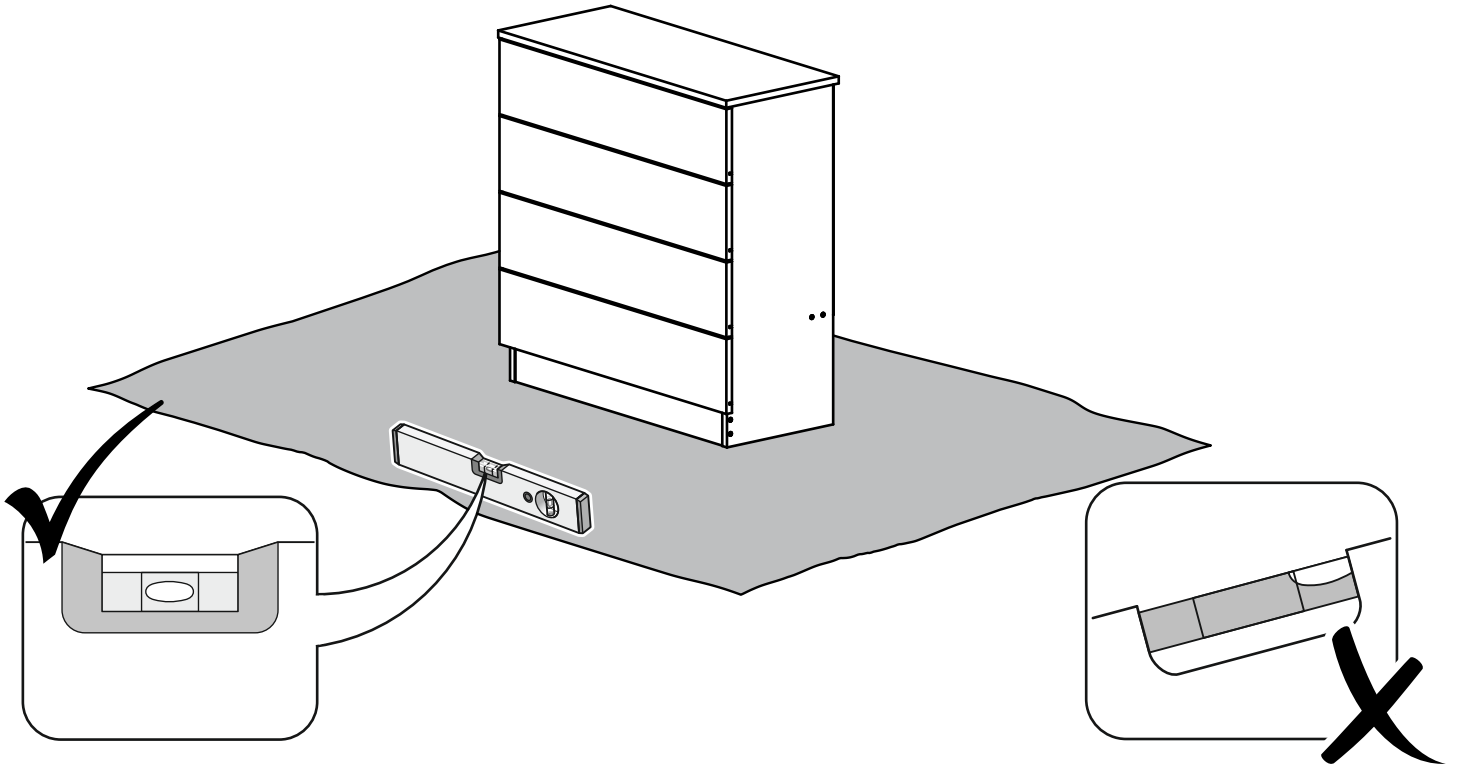
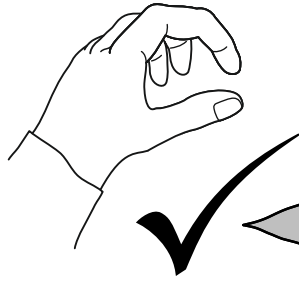
YHO-26

UNO-26

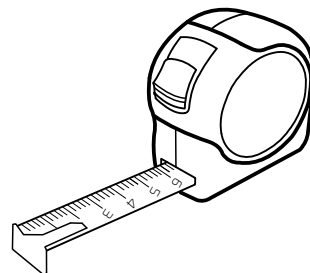
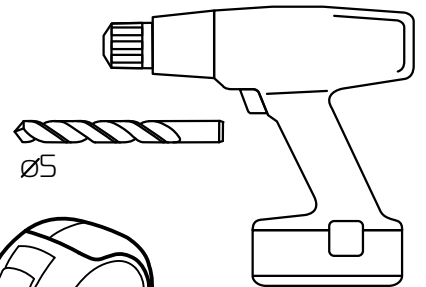
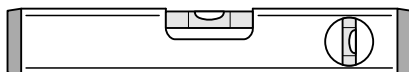
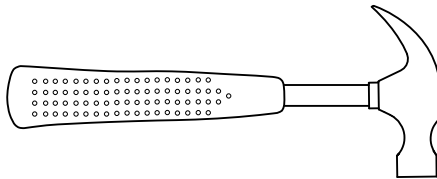


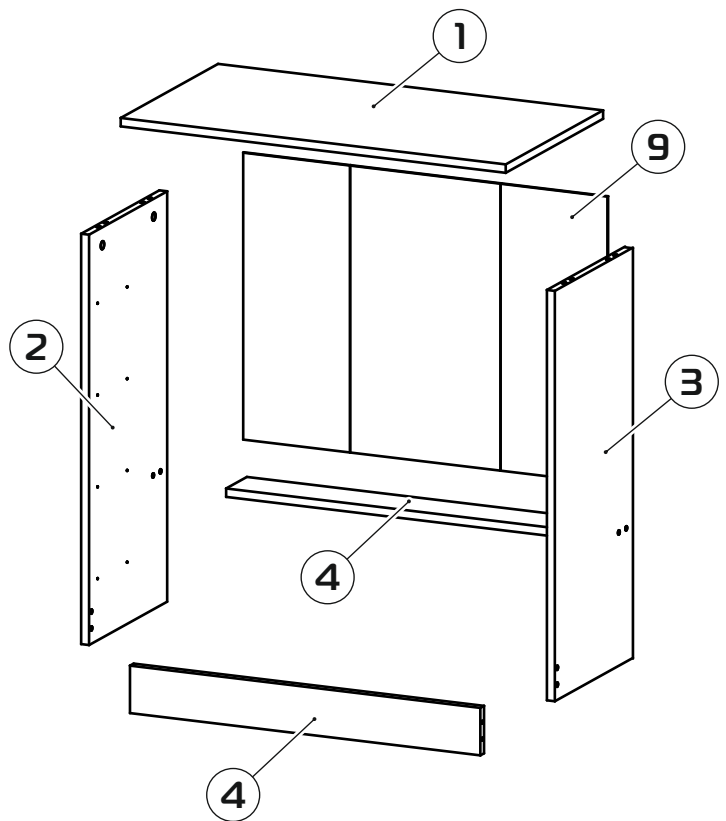
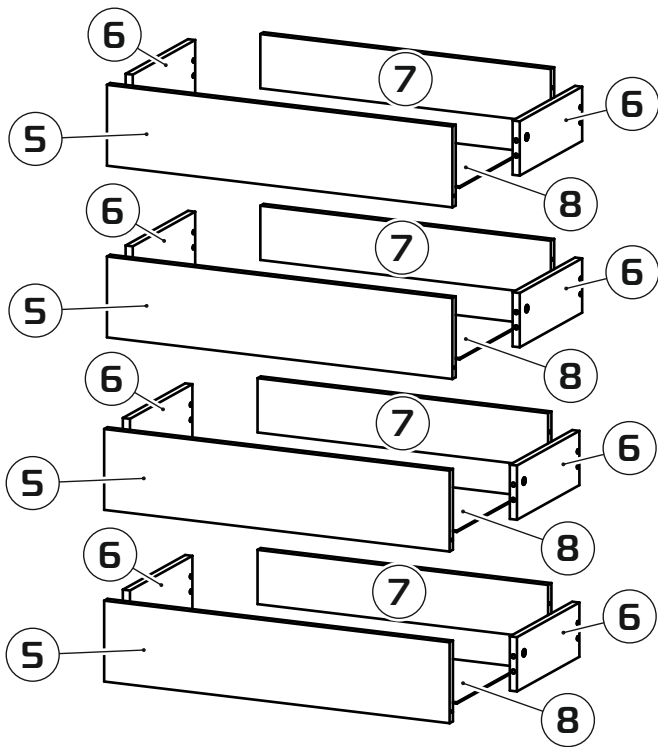


60-90 min



PH2





① 778x322x16 (x1)

⑥ 300x114x16 (x8)

② 778x304x16 (x1)

⑦ 651x114x16 (x4)

③ 778x304x16 (x1)

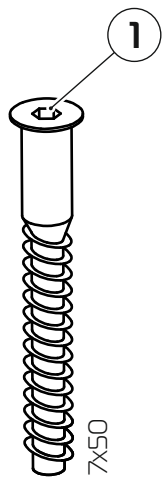
⑧ 678x304x3 (x4)

④ 708x90x16 (x2)

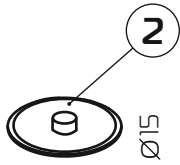
⑨ 544x216/304/216x3 (x1)

⑤ 774x170x16 (x4)

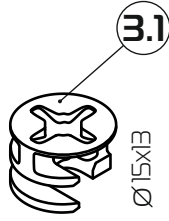
1:1



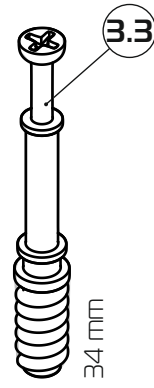
x24



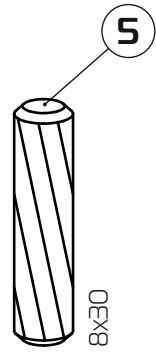
x8



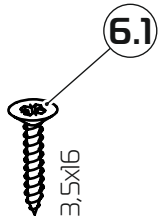
x12



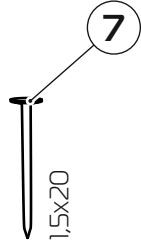
x12



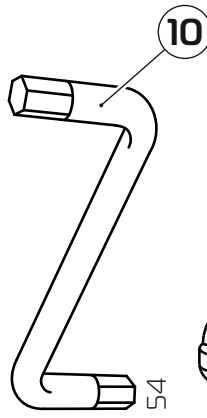
x12



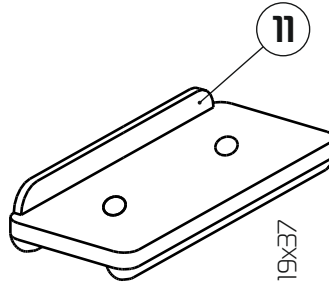
x50



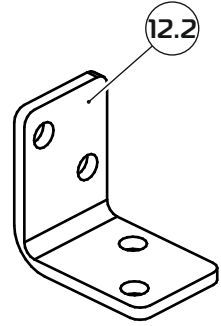
x72



x1

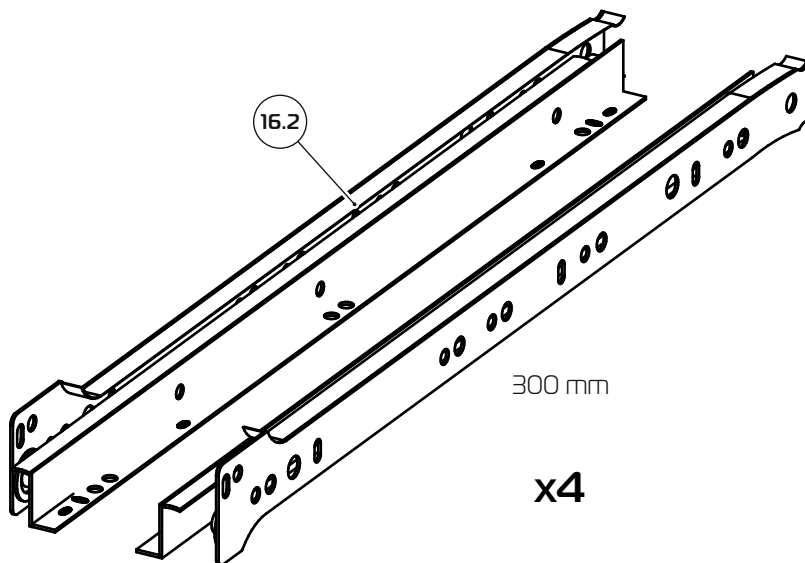


x6

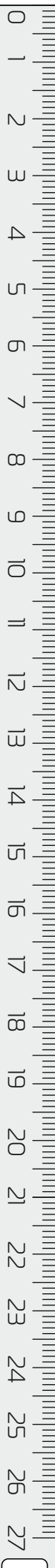


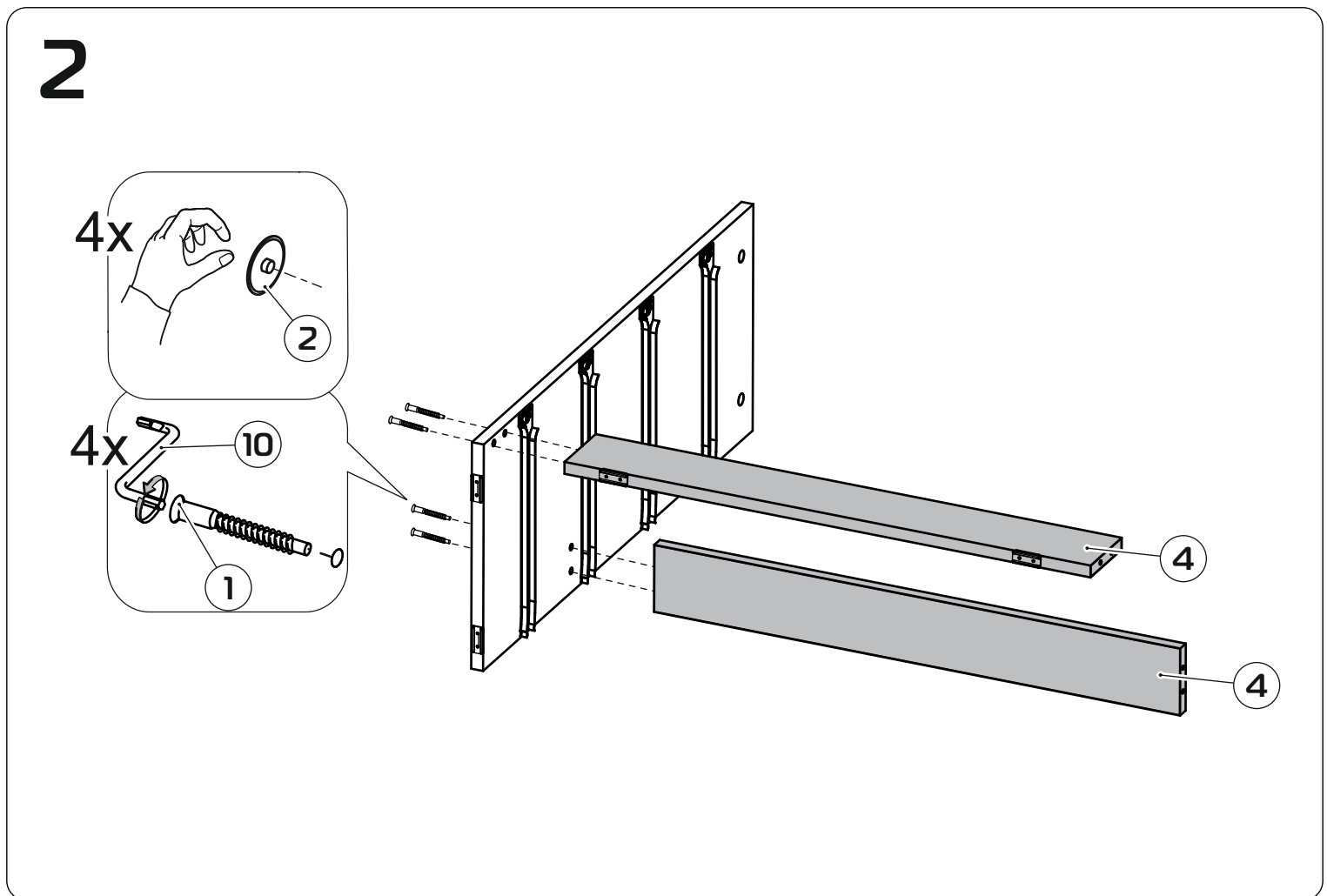
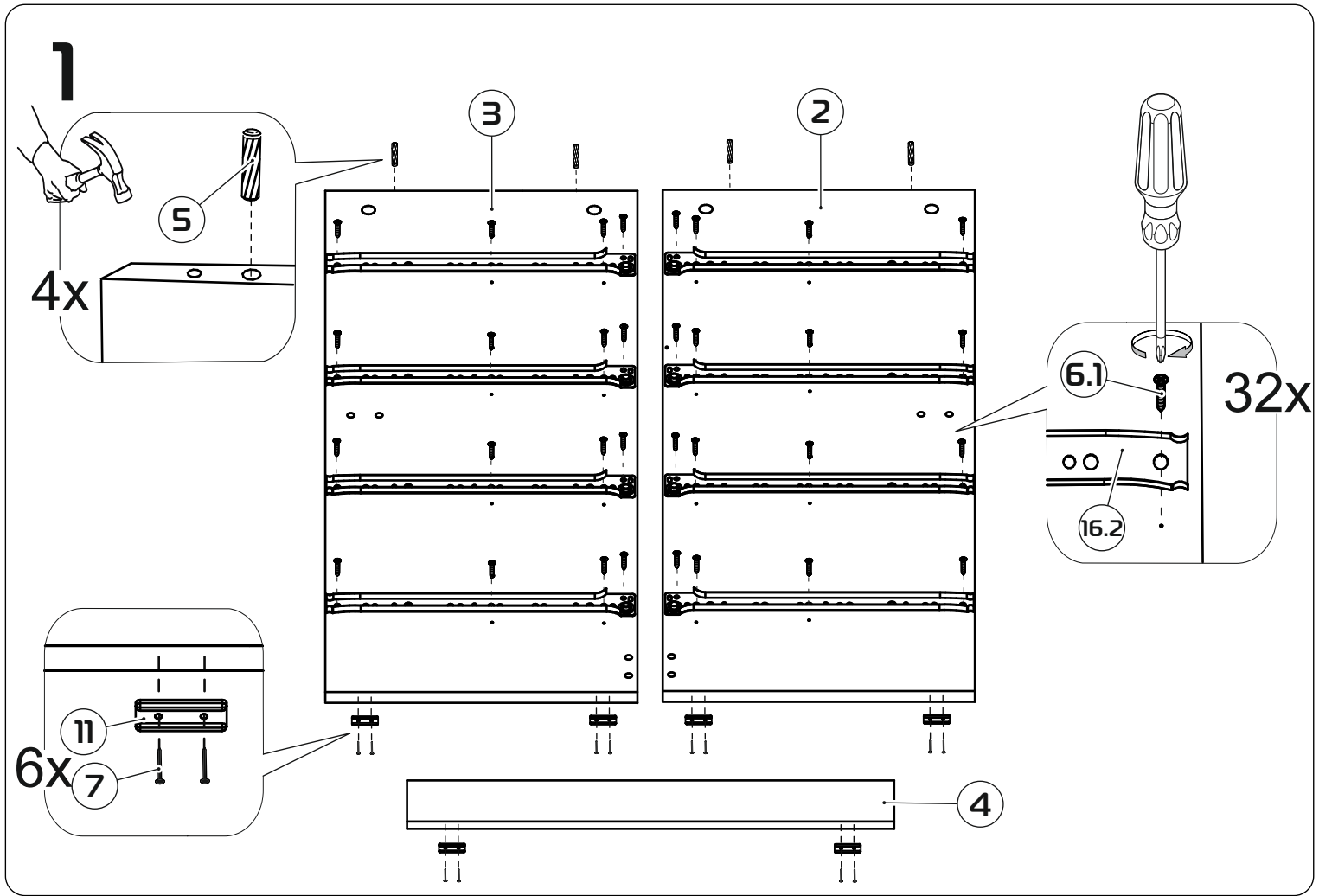
x1

1:2

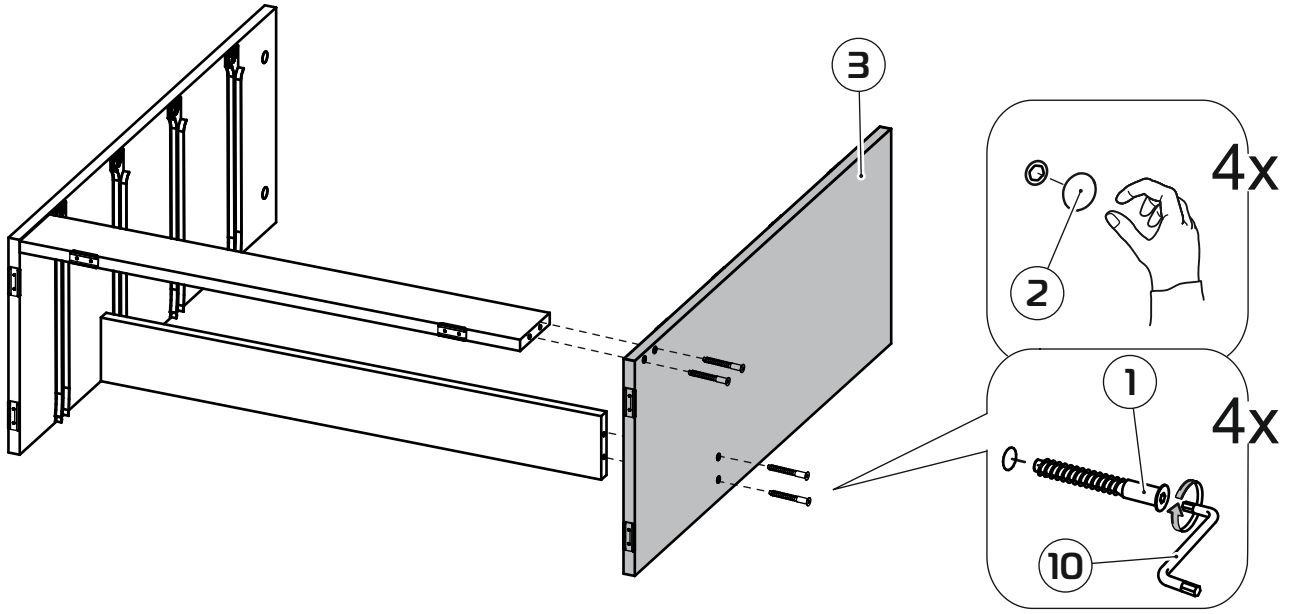


x4

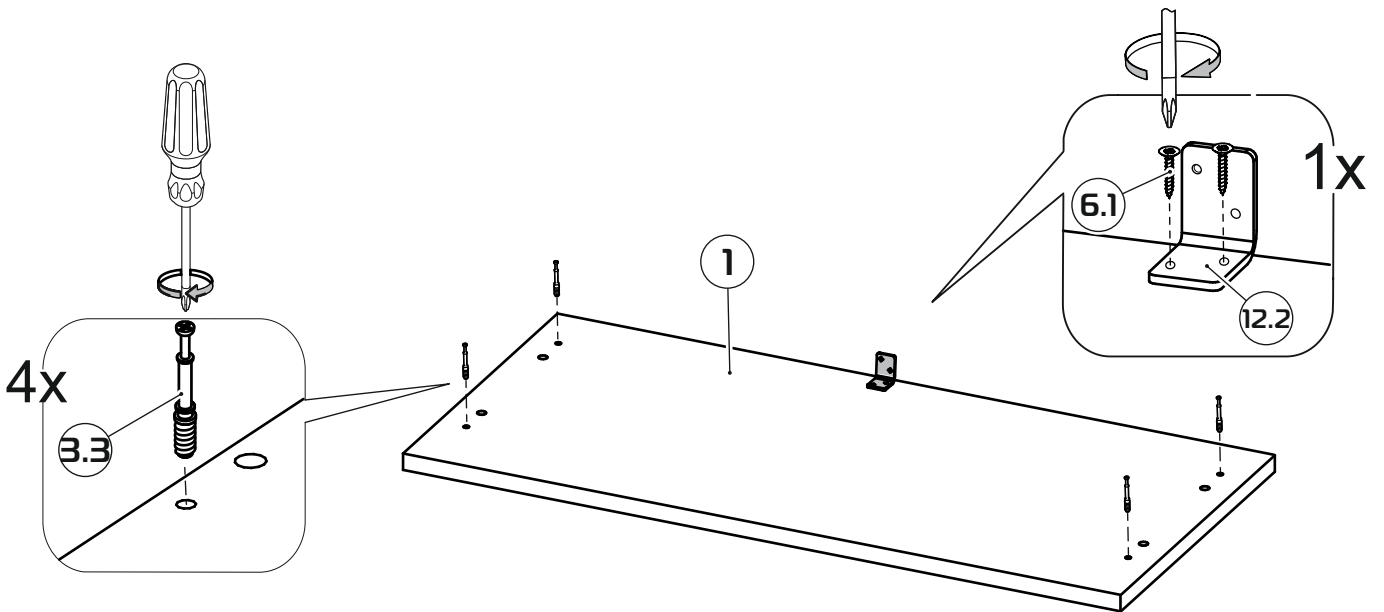




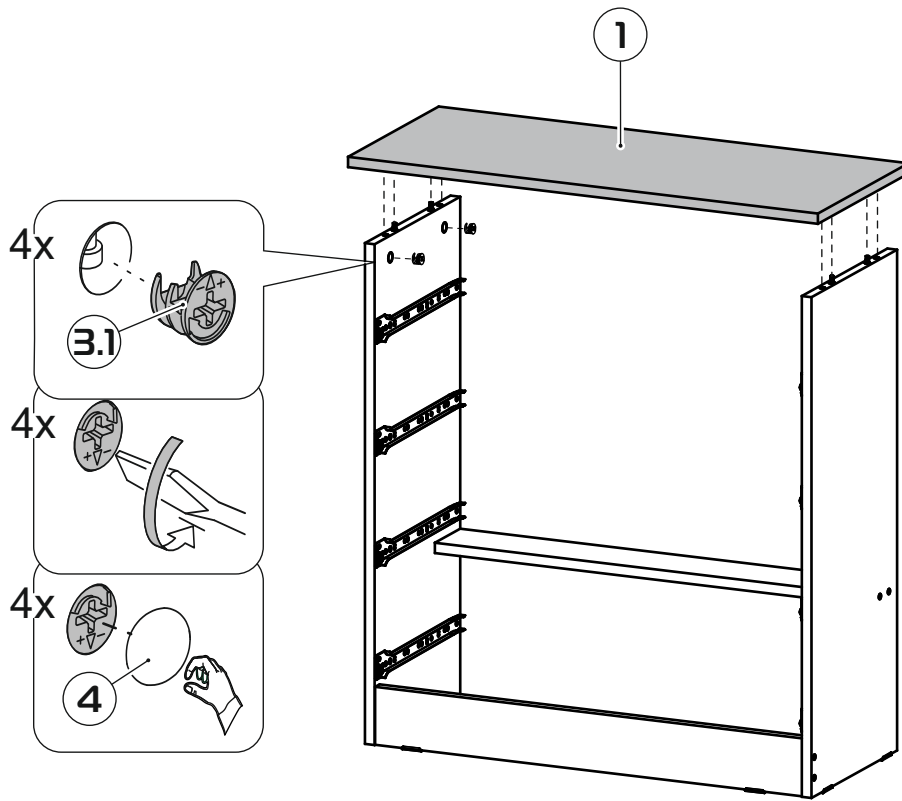
3



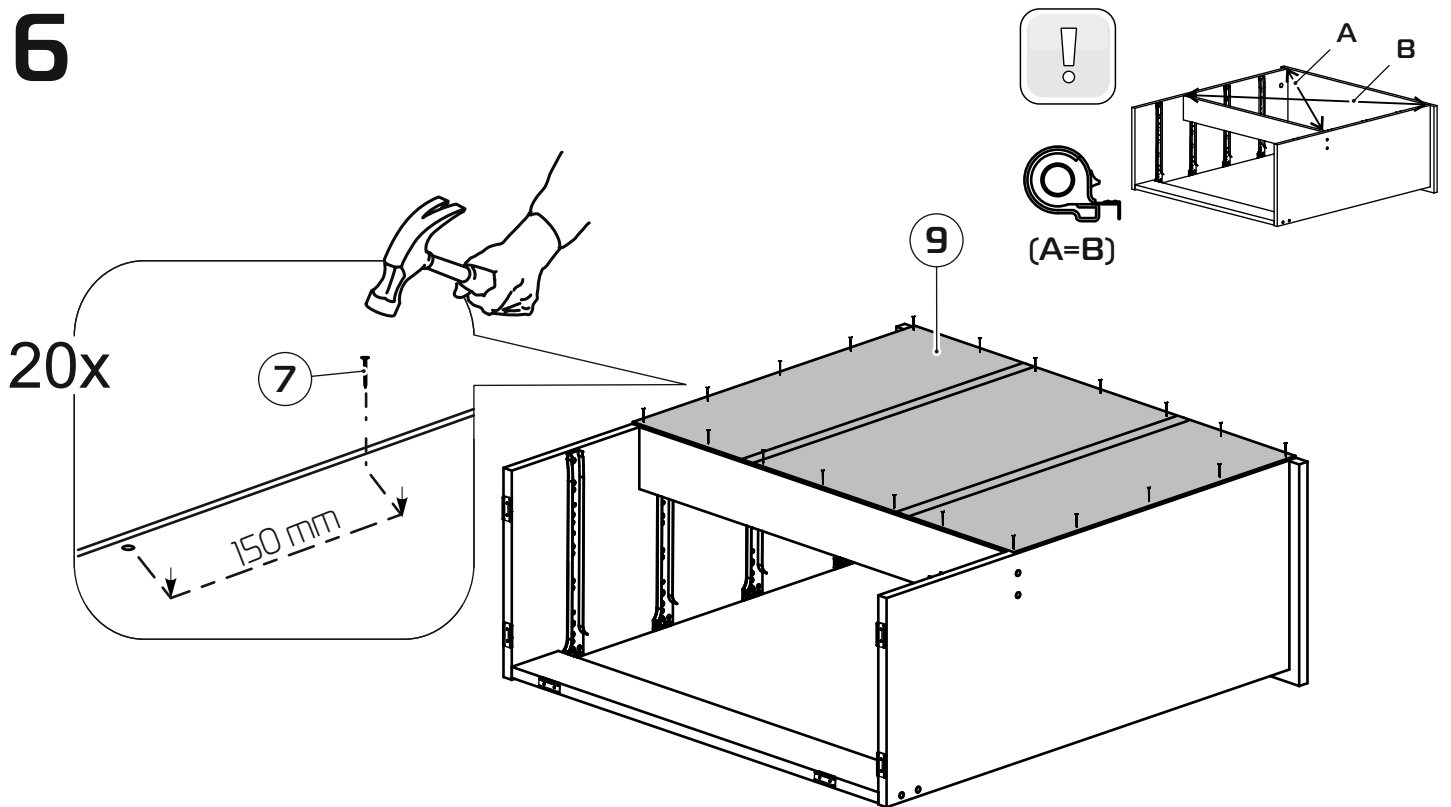
4



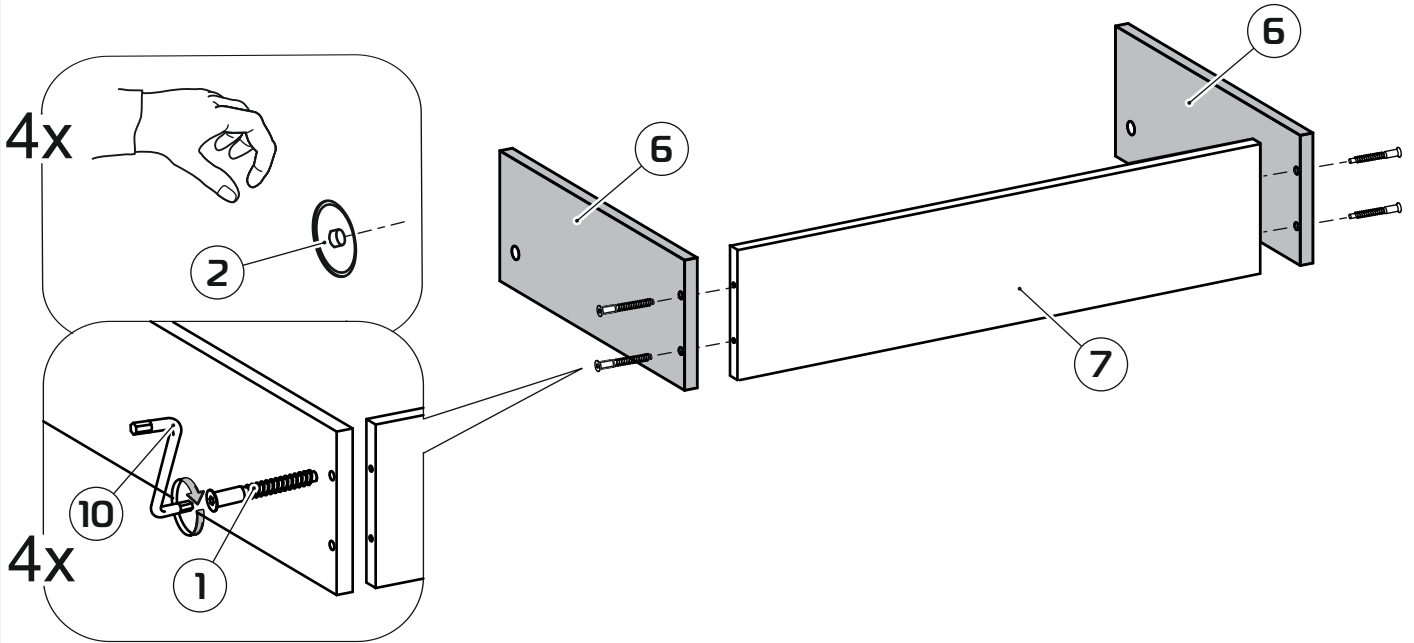
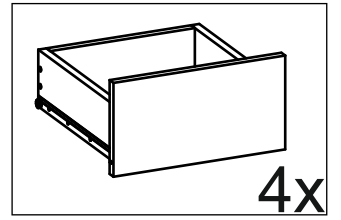
5



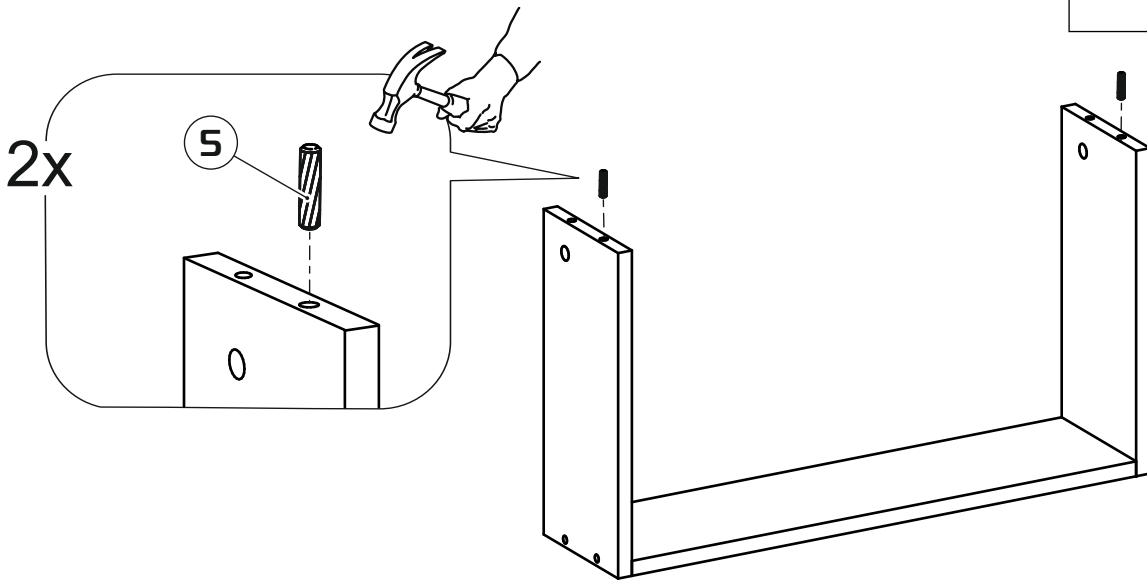
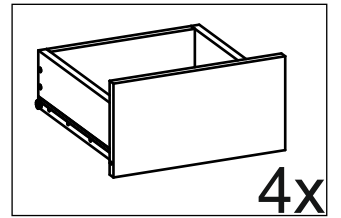
6



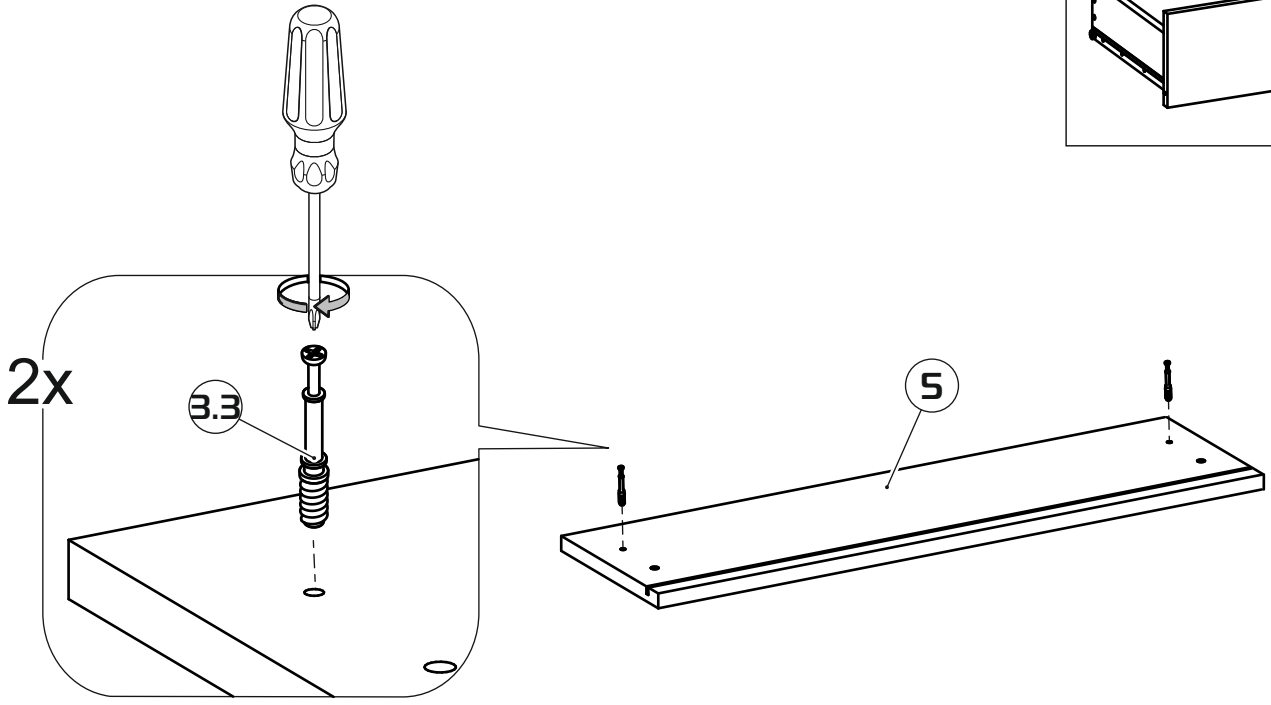
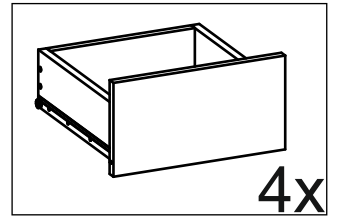
7



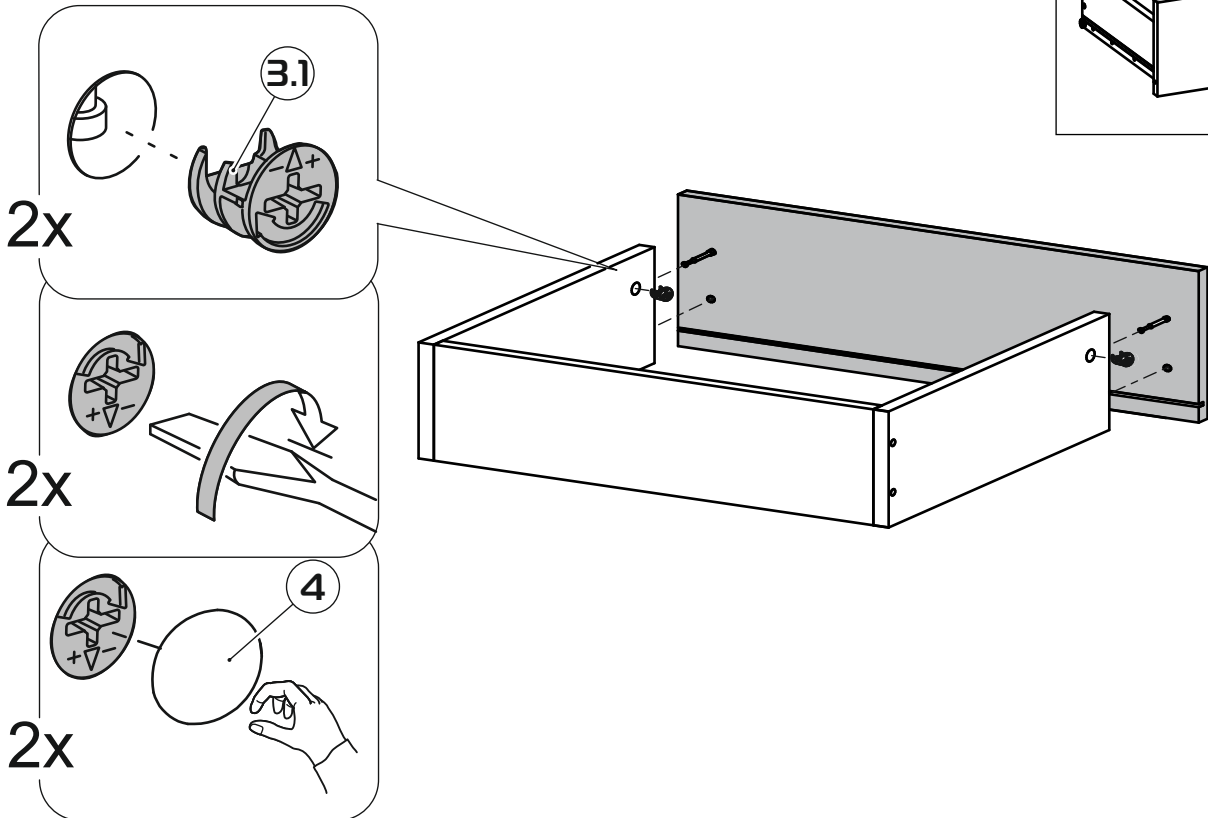
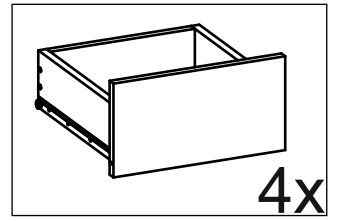
8



9



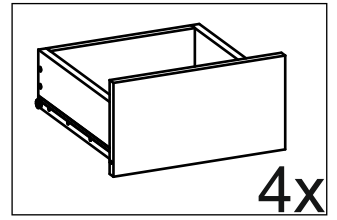
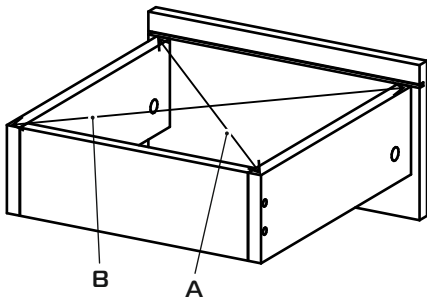
10



11



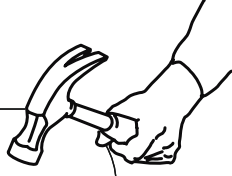
(A=B)



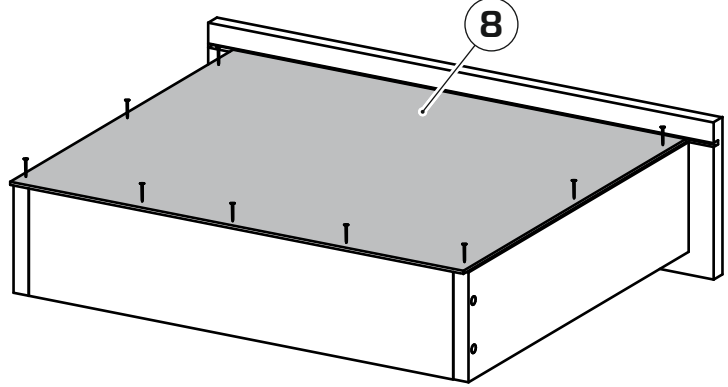
9x

7

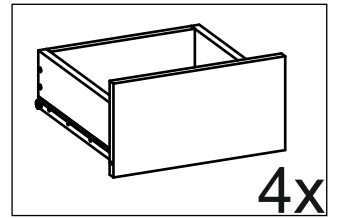
150 mm



8



12

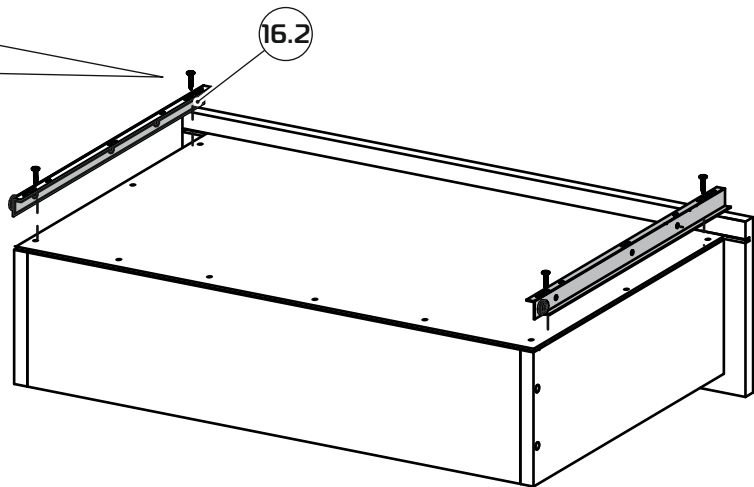
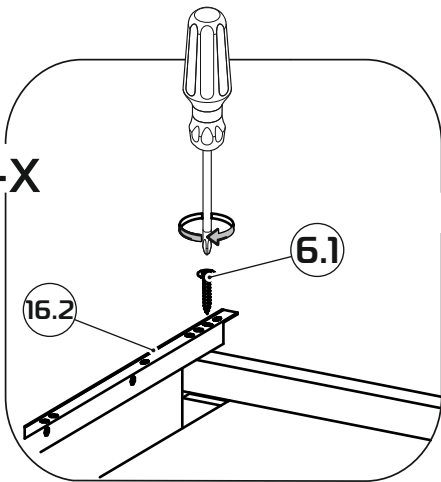


4x

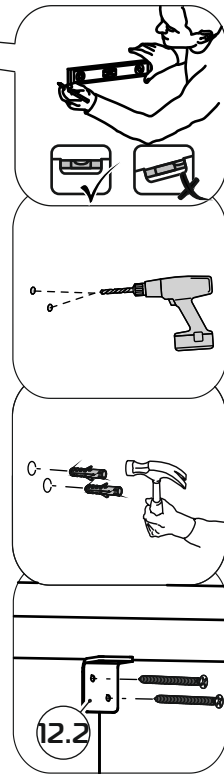
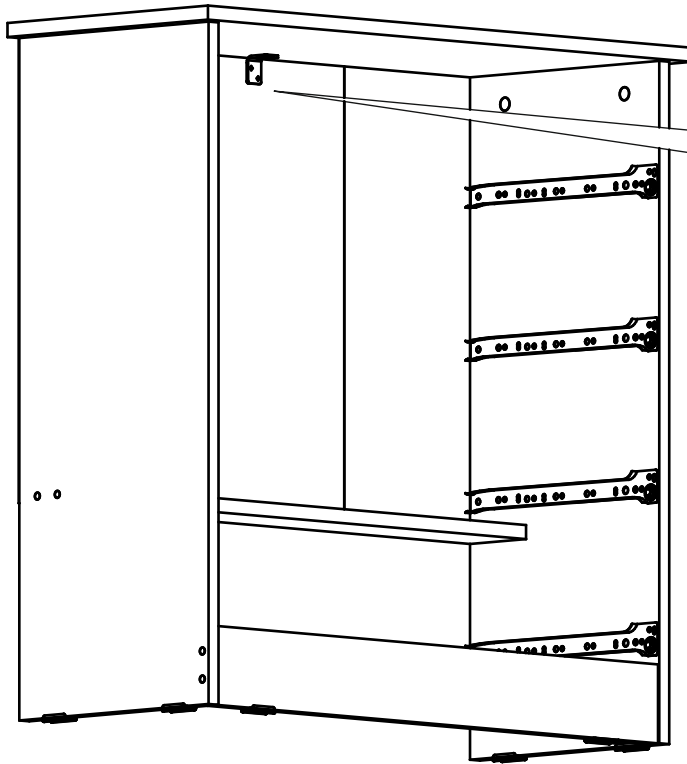
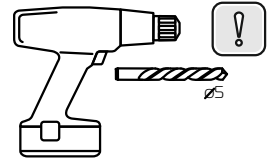
6.1

16.2

16.2



13



14

