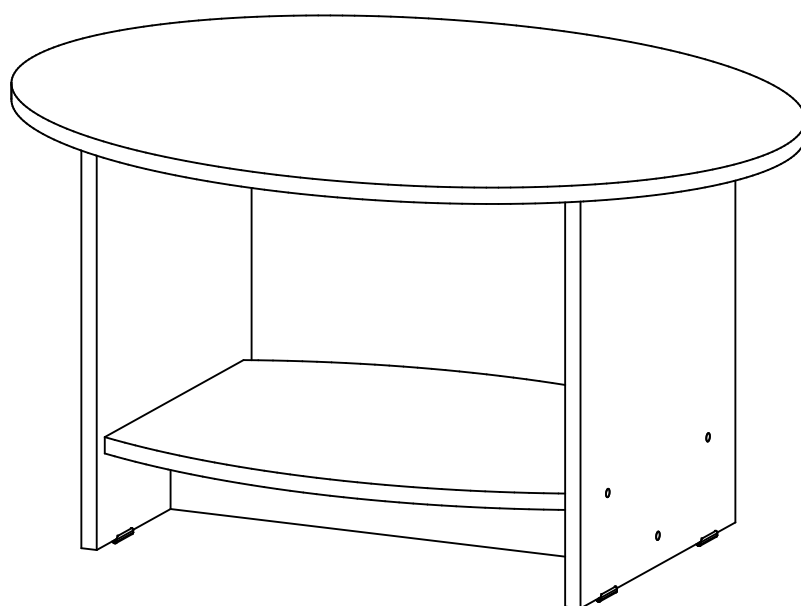
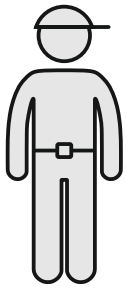


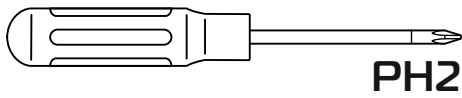
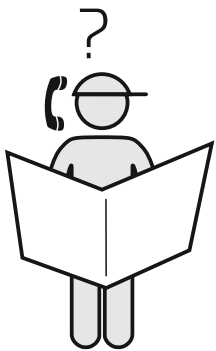
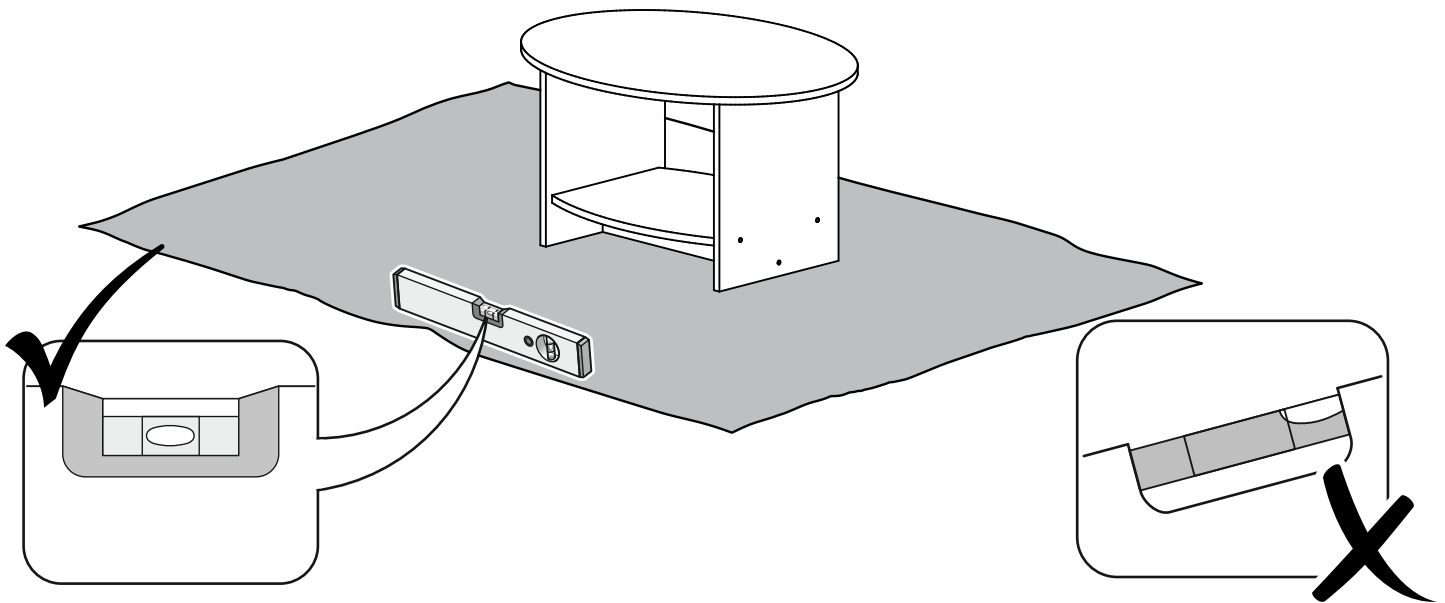
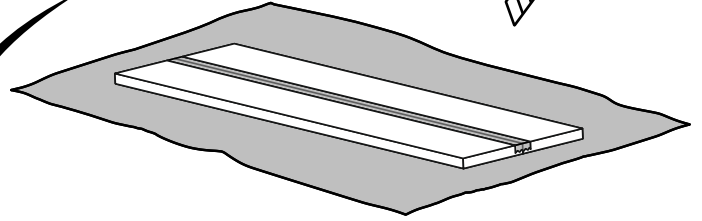
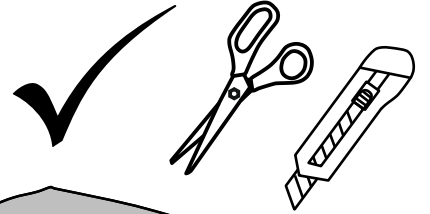
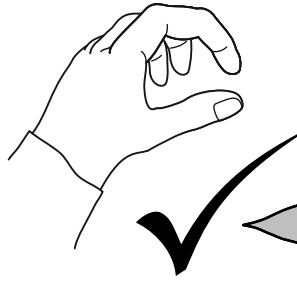
# САНДИ-2

# SANDI-2

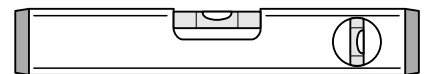
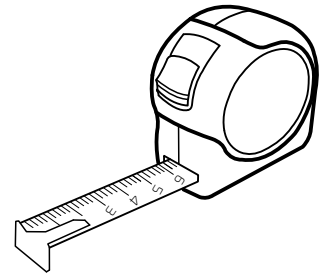
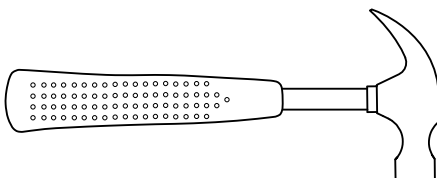


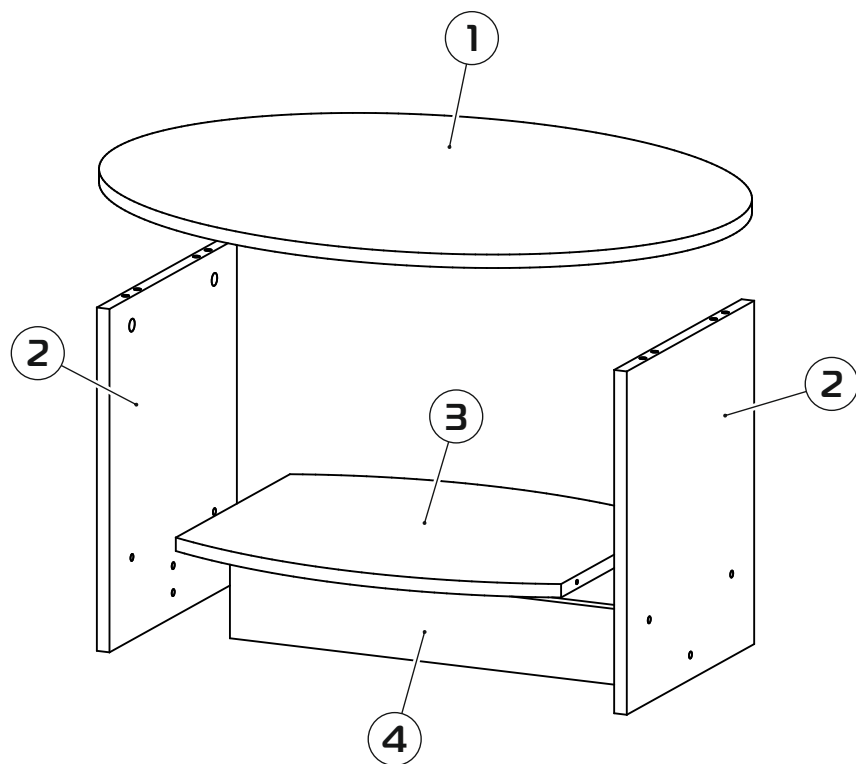


30-45 min



PH2





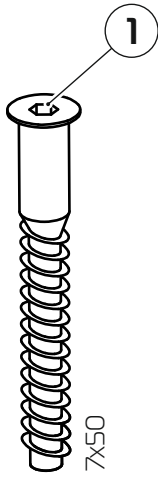
① 780x590x16 (x1)

② 408x346x16 (x2)

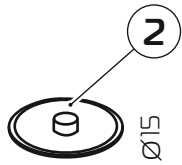
③ 488x410x16 (x1)

③ 90x488x16 (x1)

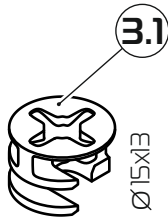
1:1



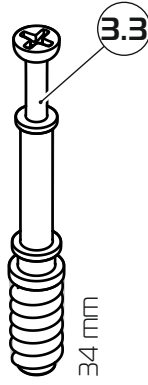
x6



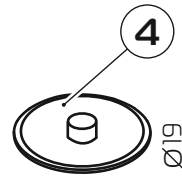
x6



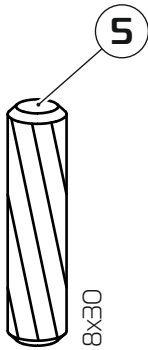
x4



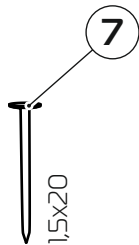
x4



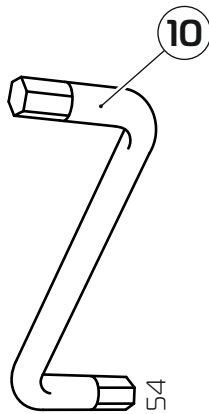
x4



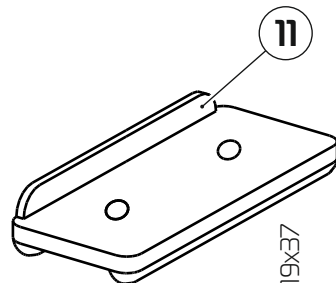
x4



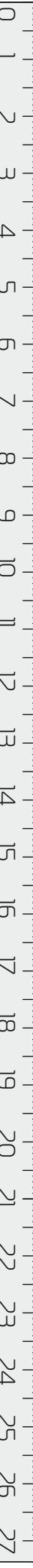
x8



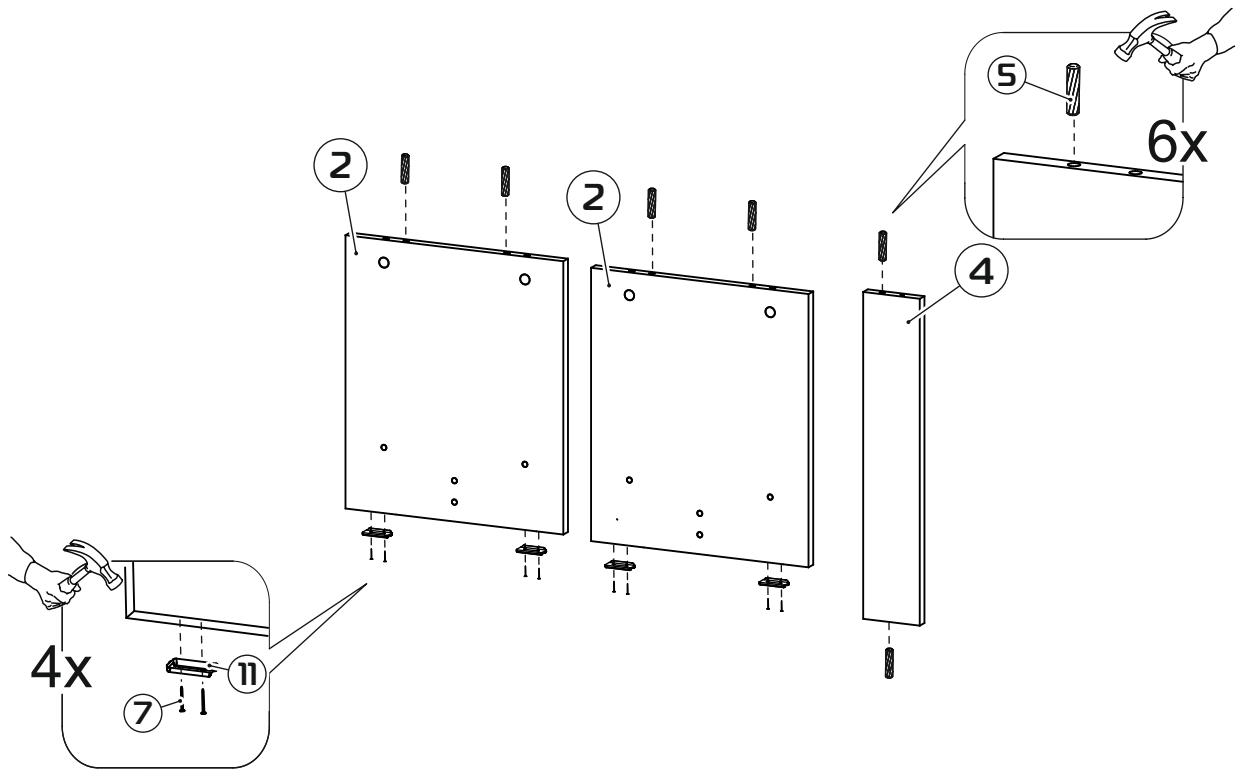
x1



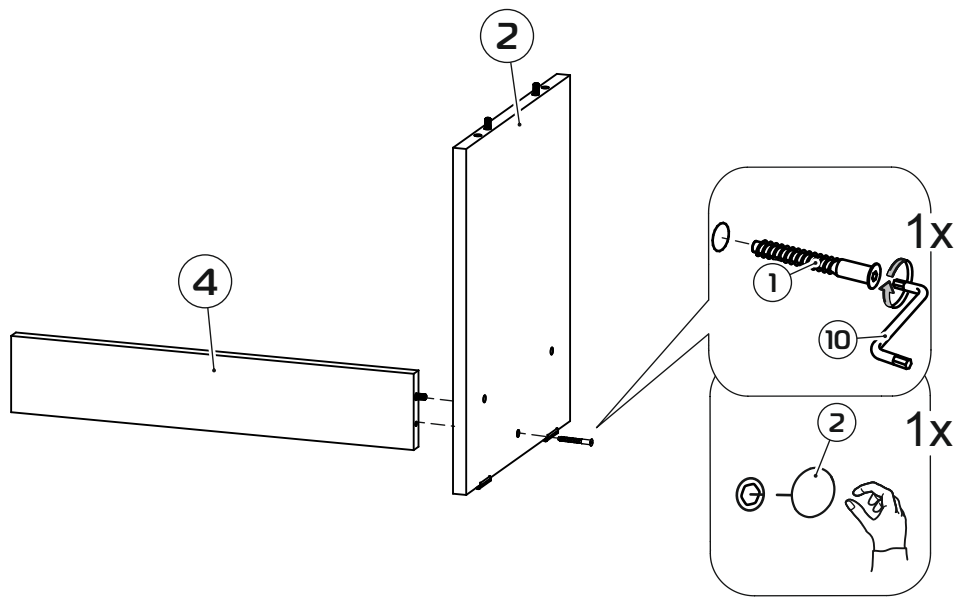
x4



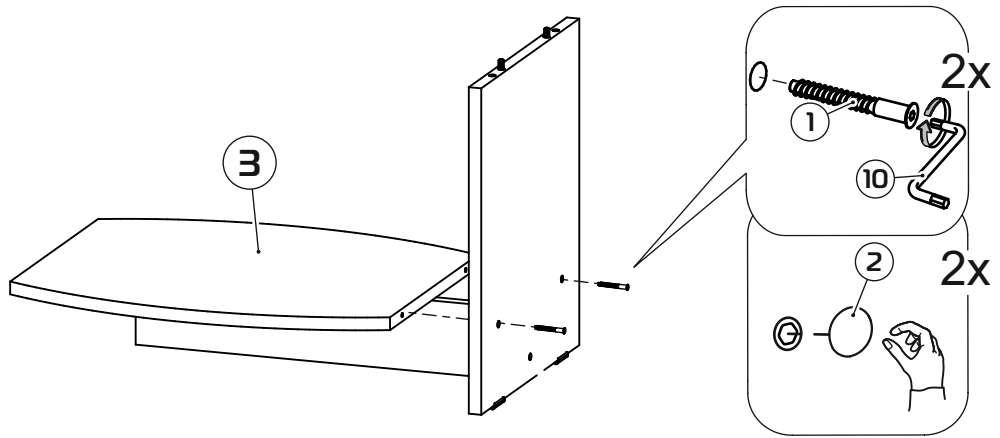
# 1



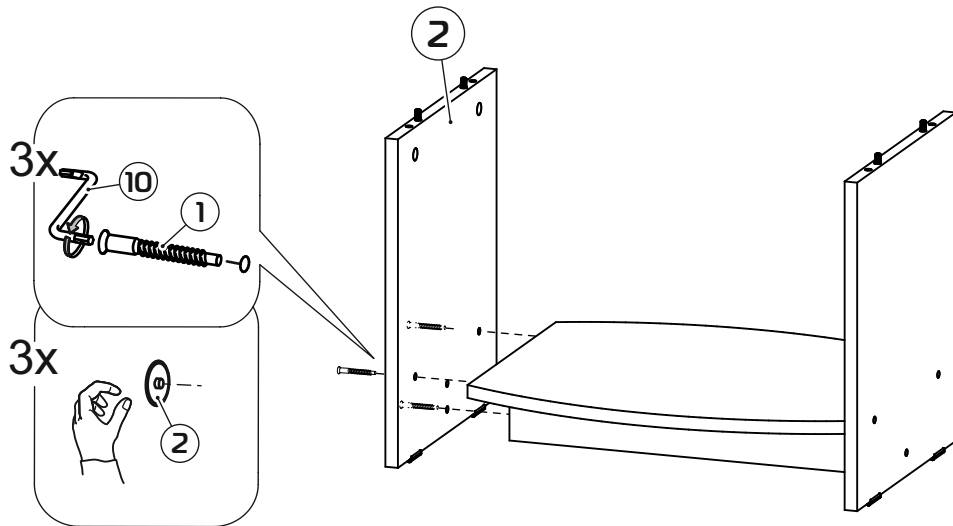
# 2



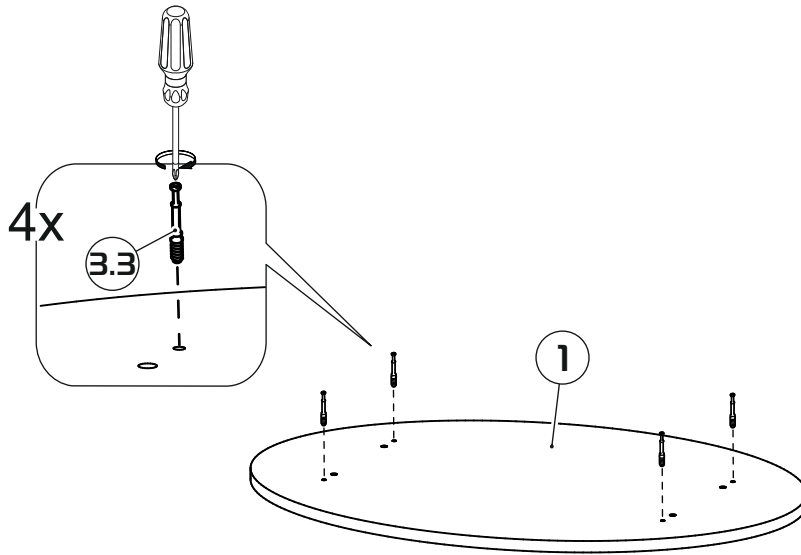
# 3



# 4



# 5



# 6

