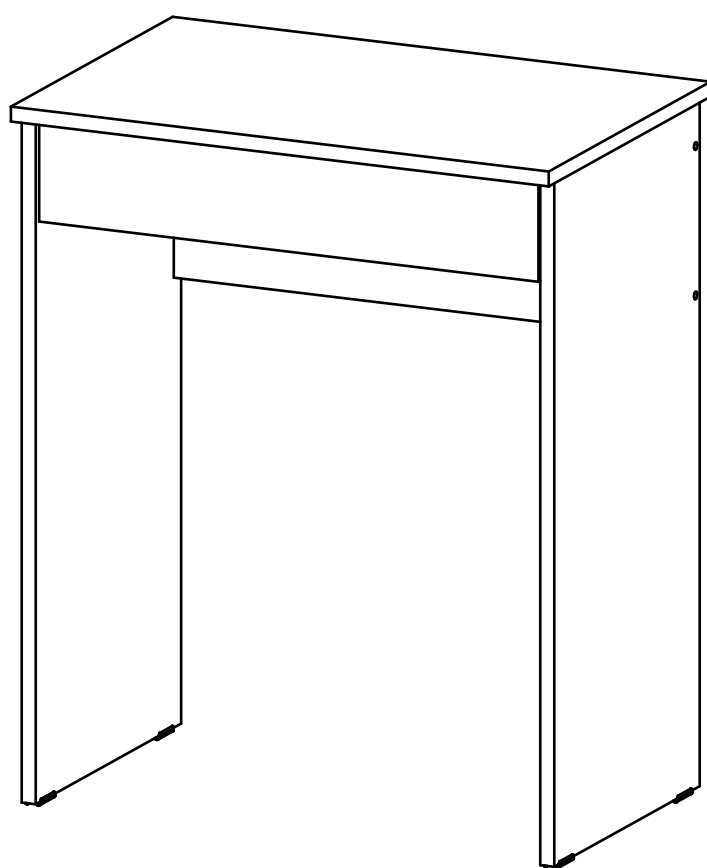
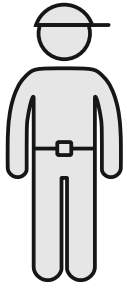


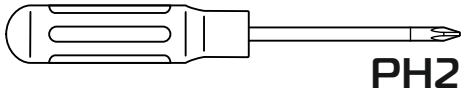
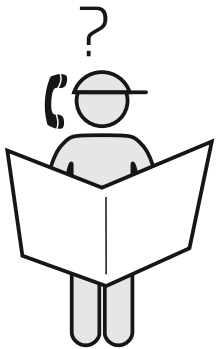
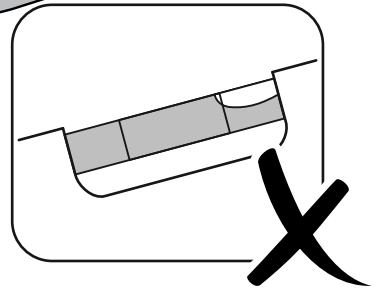
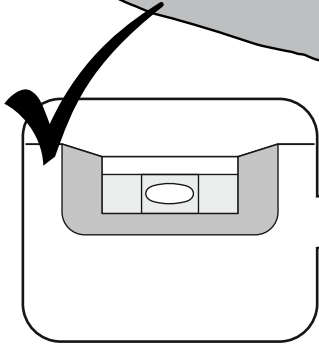
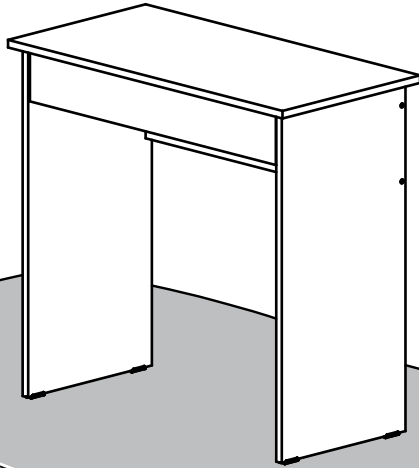
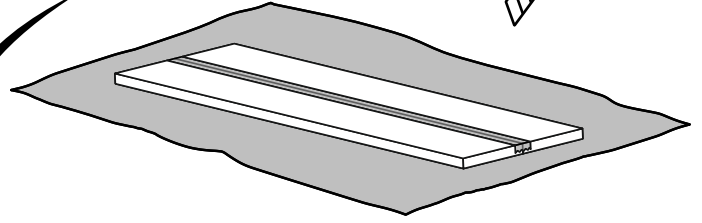
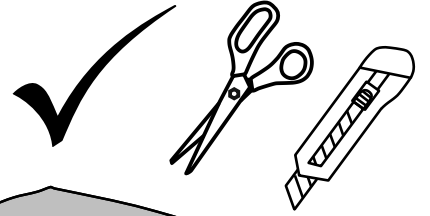
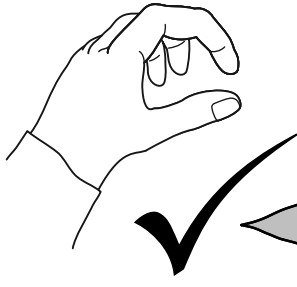
МИЛАН-84Я

MILAN-84YA

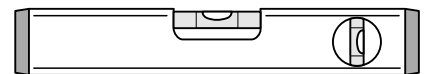
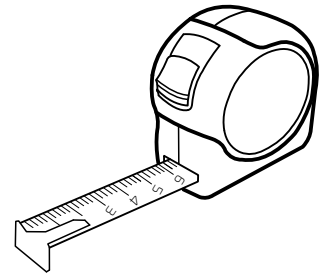
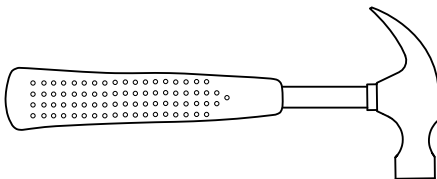


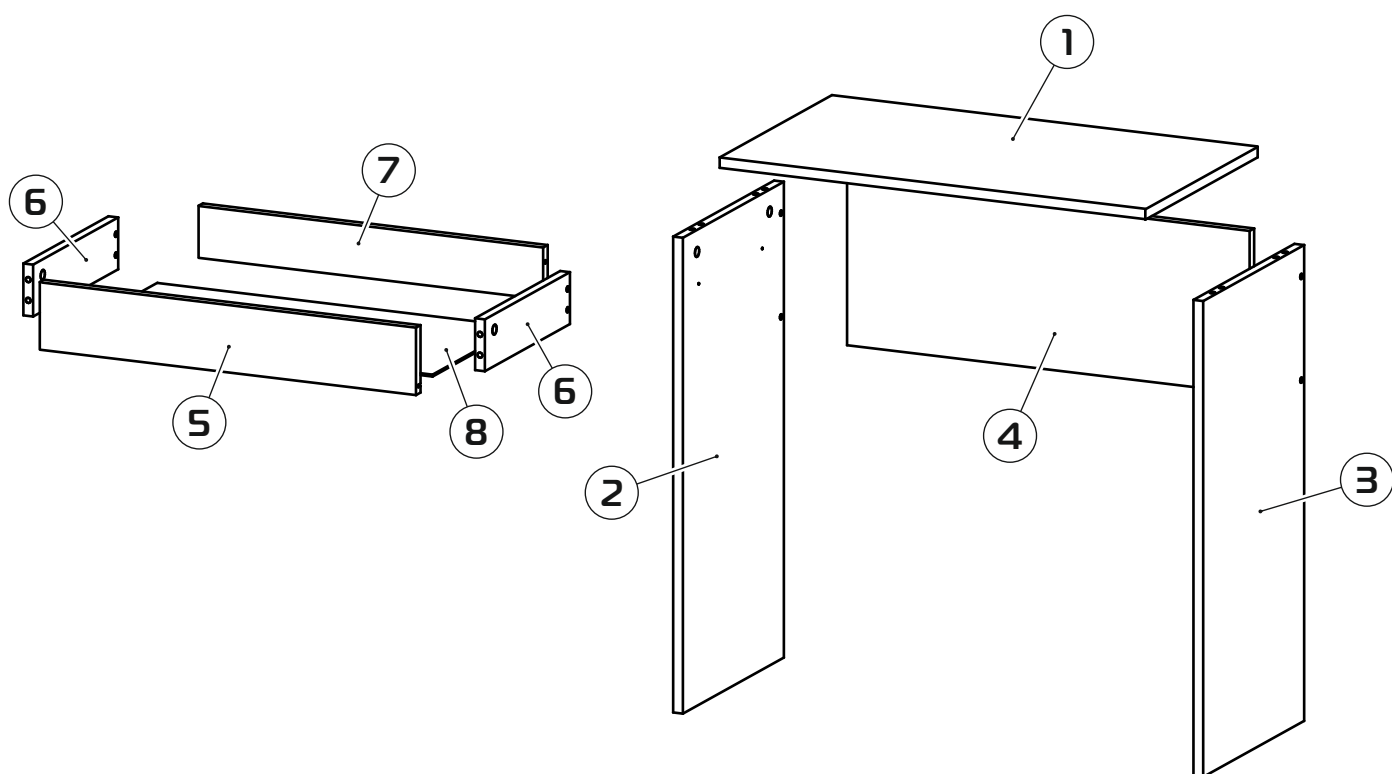


45-60 min



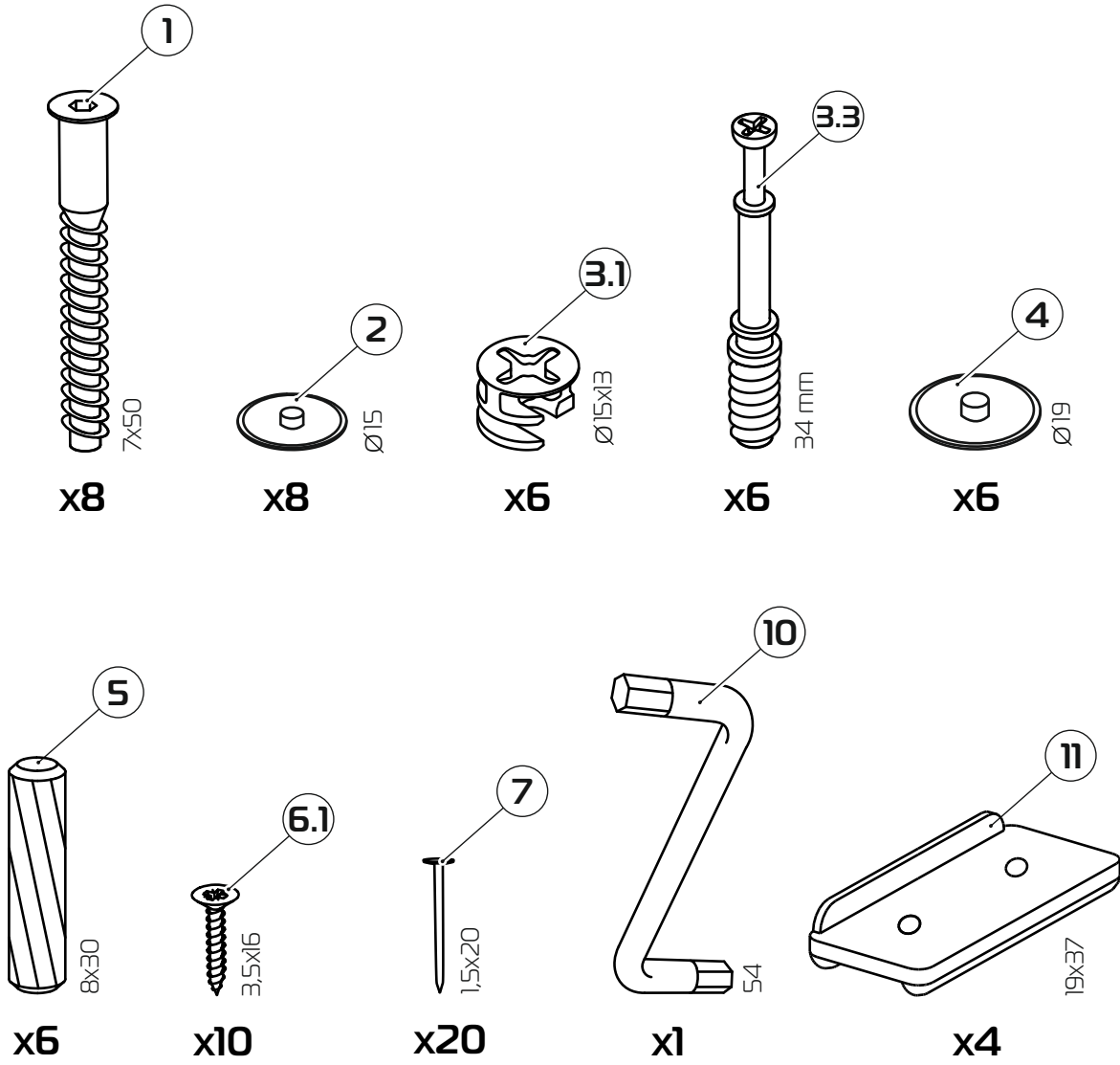
PH2



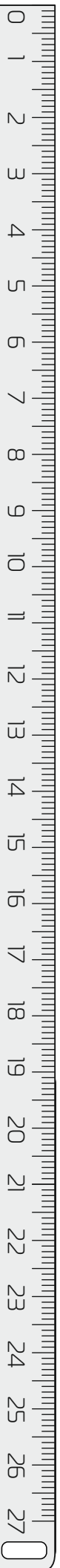
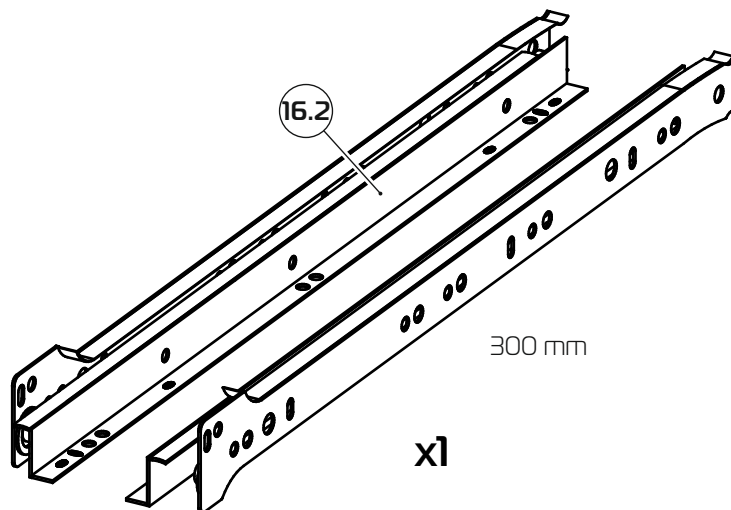


- | | |
|-------------------|-------------------|
| ① 774x380x16 (x1) | ⑤ 692x104x16 (x1) |
| ② 734x356x16 (x1) | ⑥ 300x80x16 (x2) |
| ③ 734x356x16 (x1) | ⑦ 640x80x16 (x1) |
| ④ 698x252x16 (x1) | ⑧ 670x305x3 (x1) |

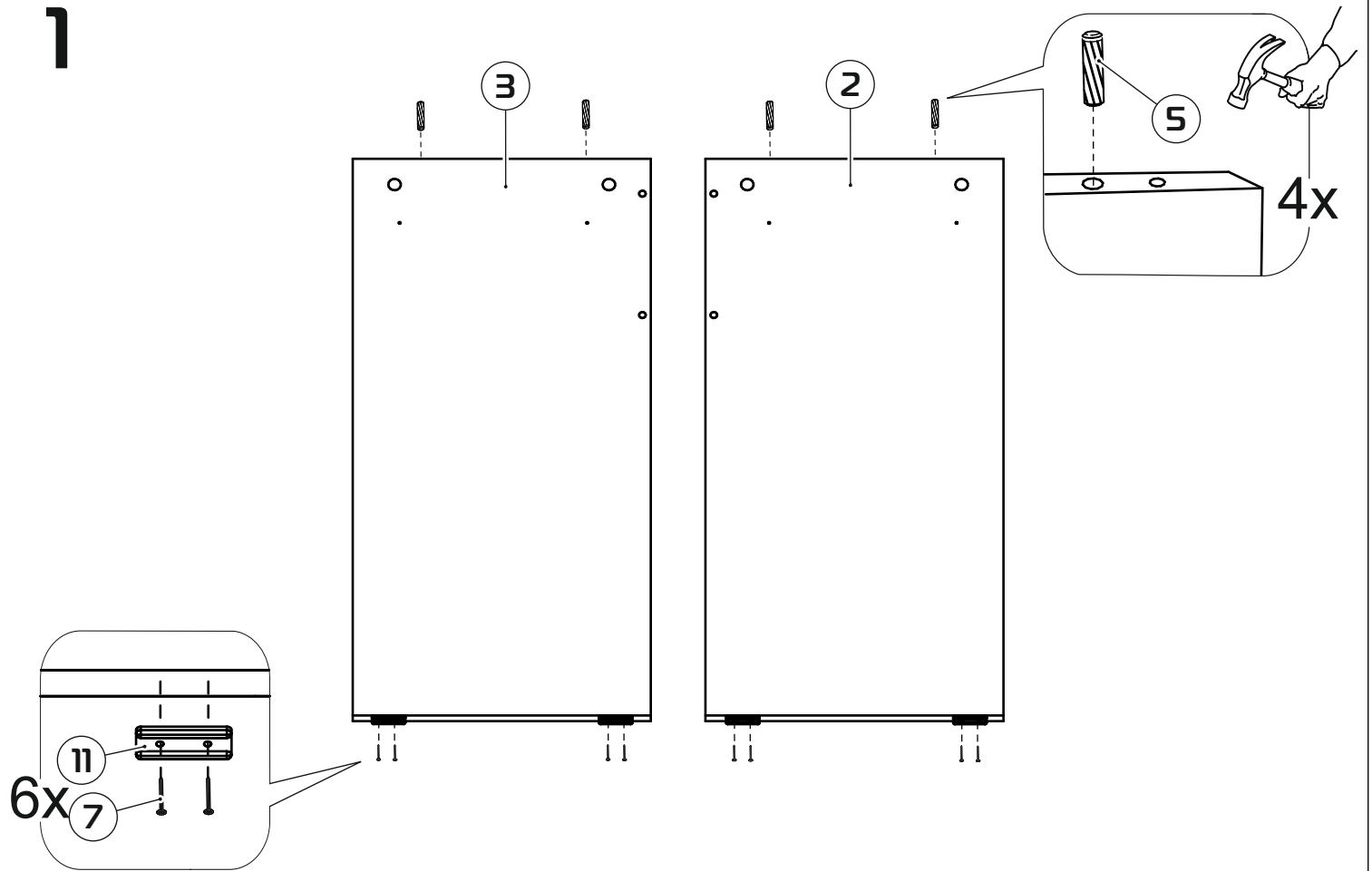
1:1



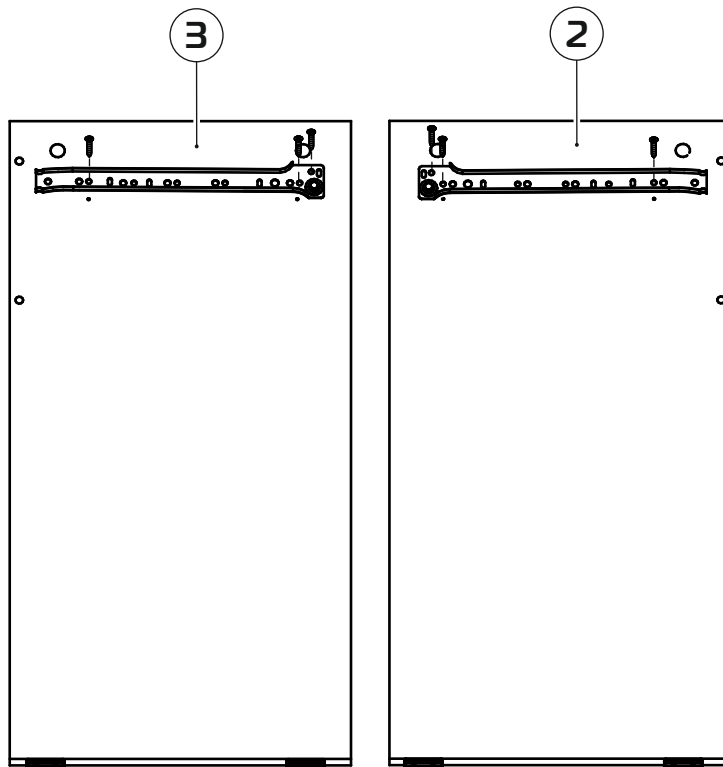
1:2



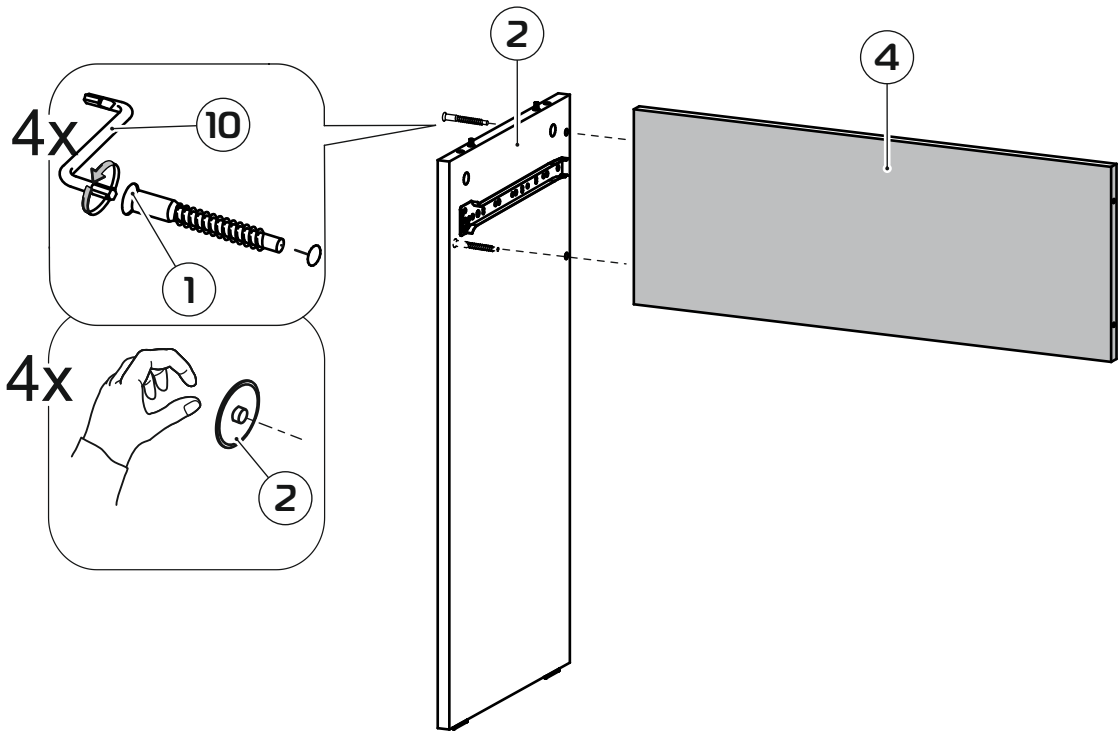
1



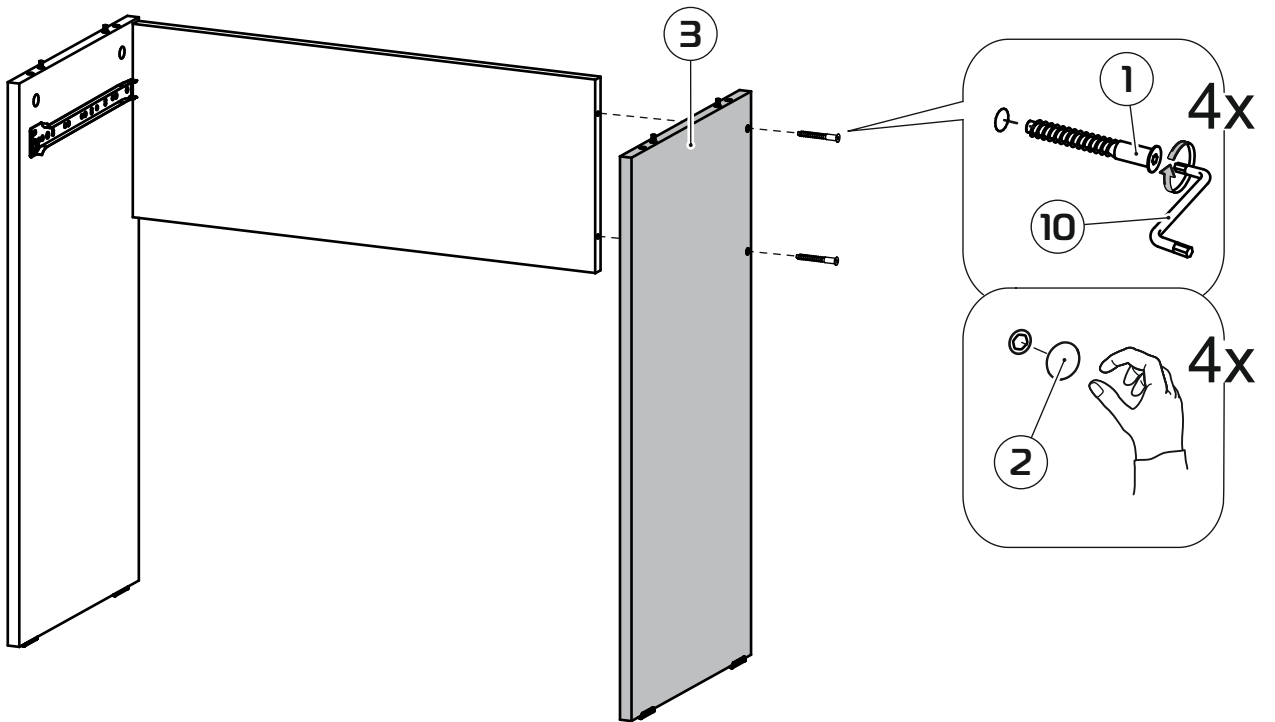
2



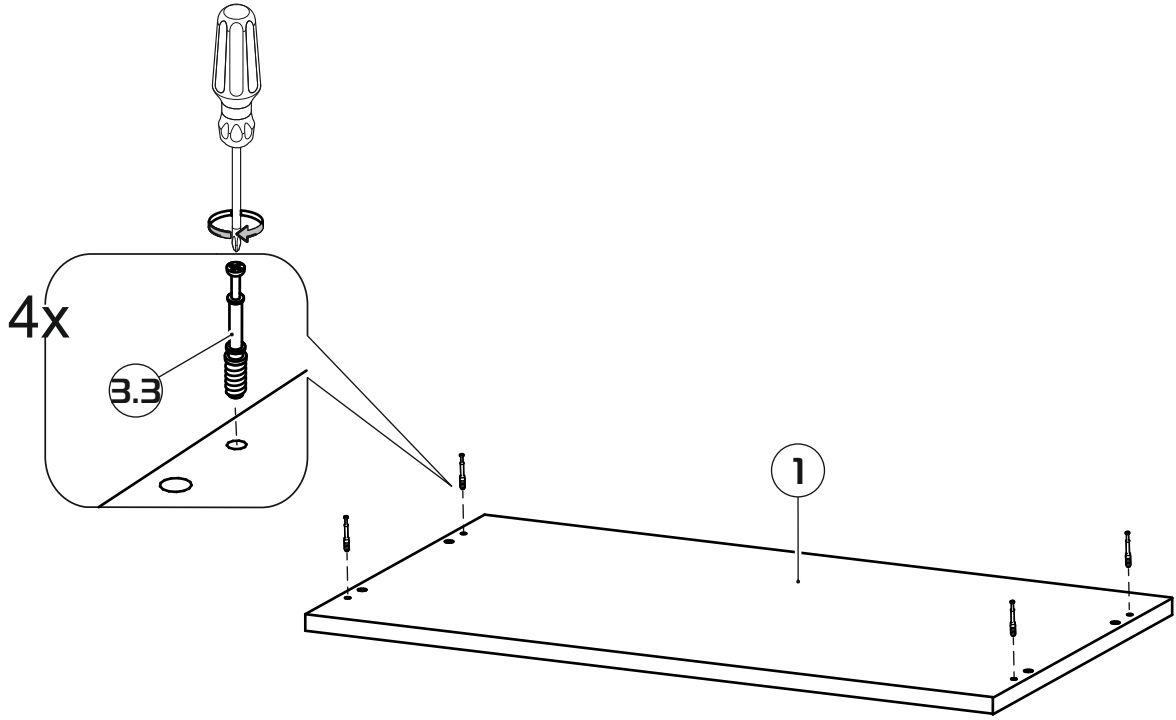
3



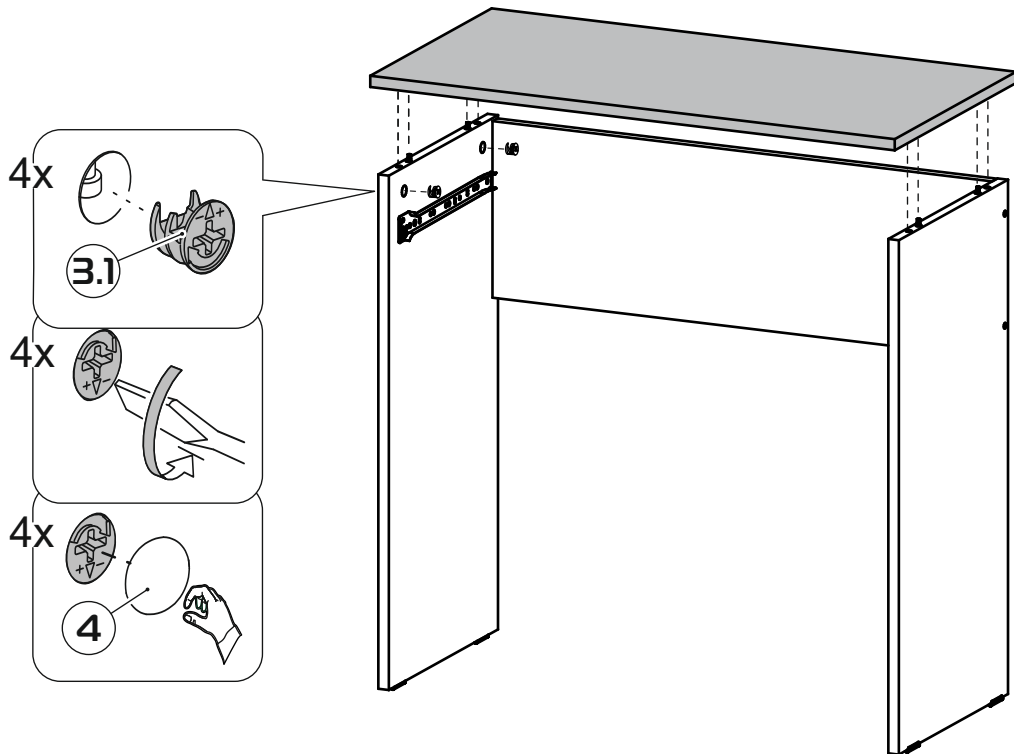
4



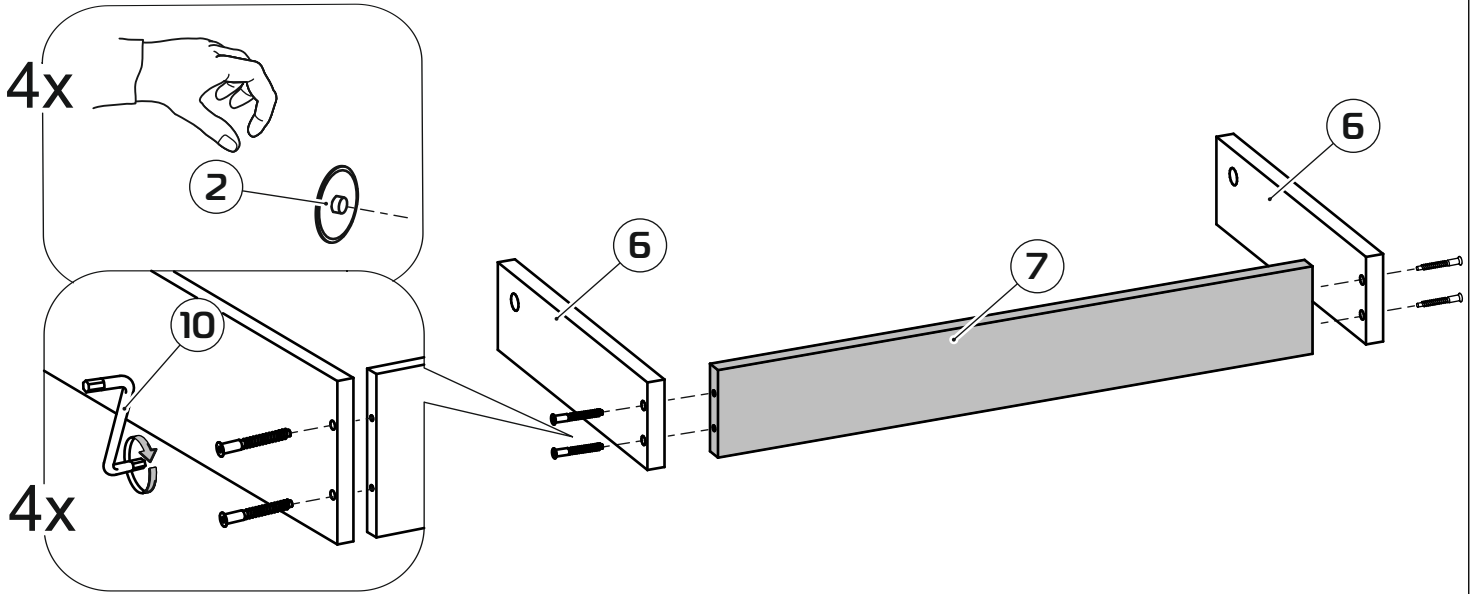
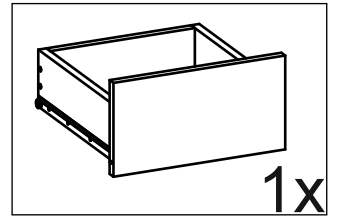
5



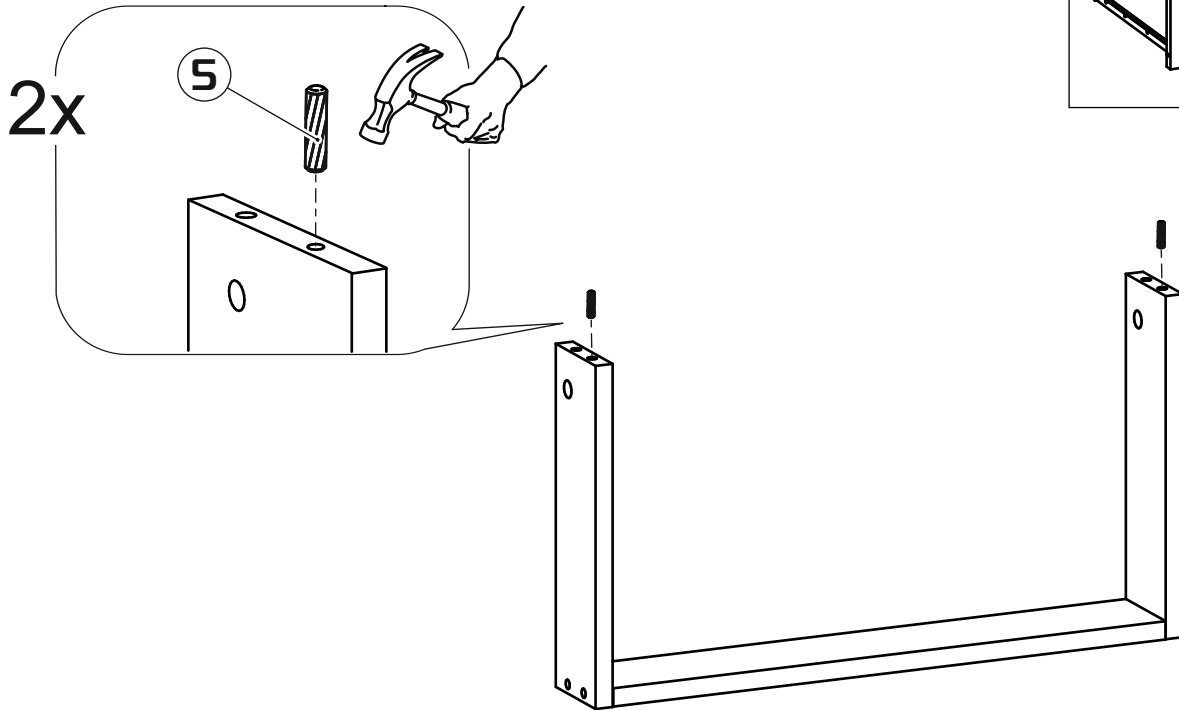
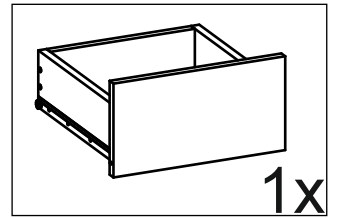
6



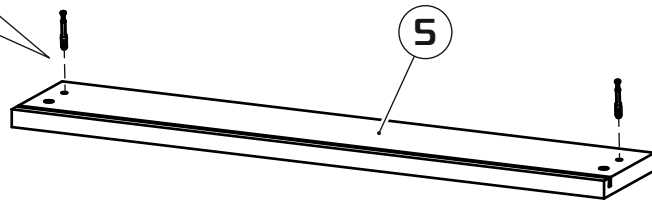
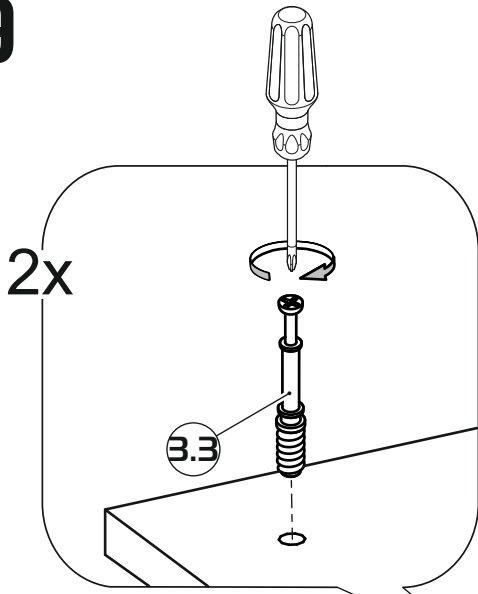
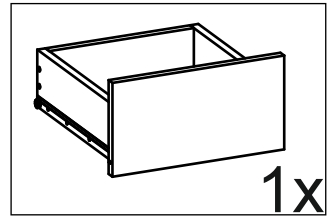
7



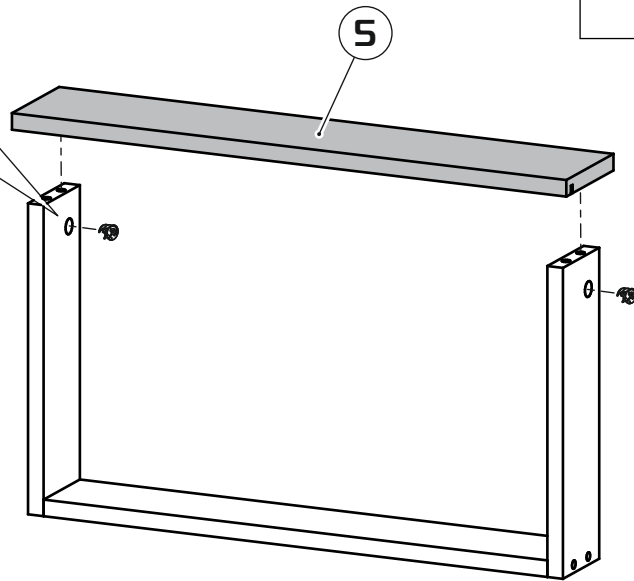
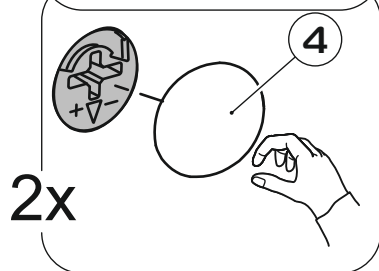
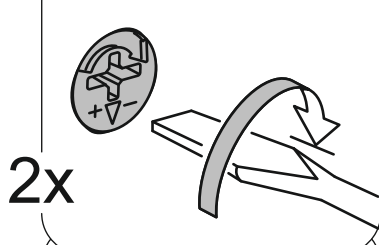
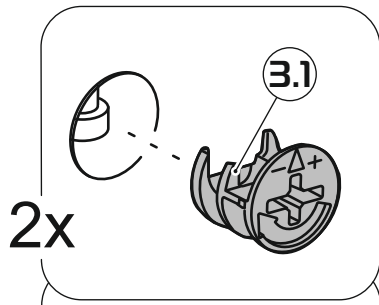
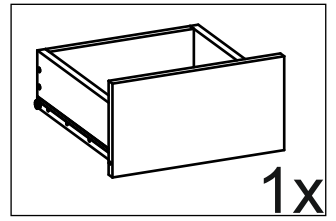
8



9



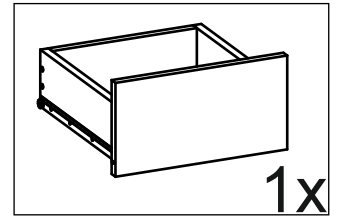
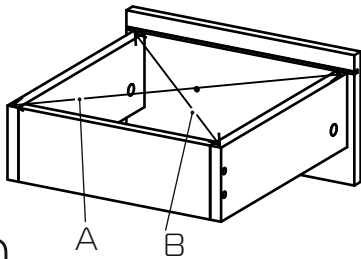
10



11



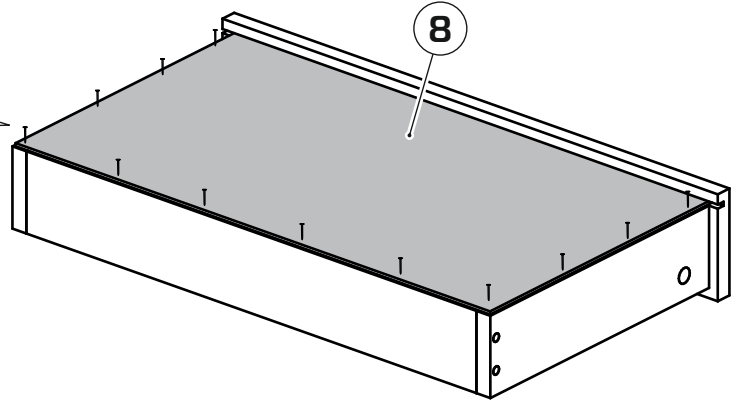
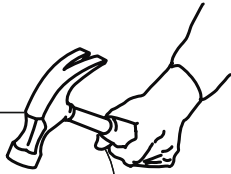
(A=B)



12x

7

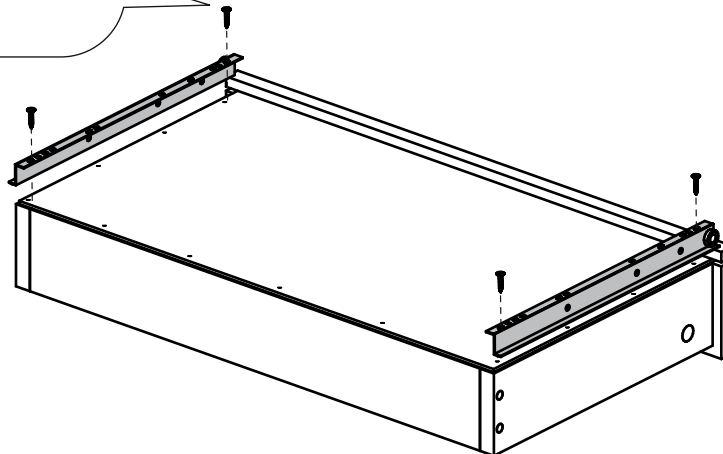
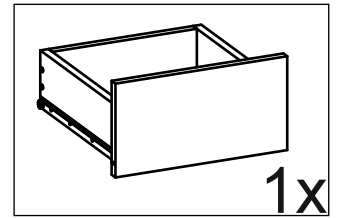
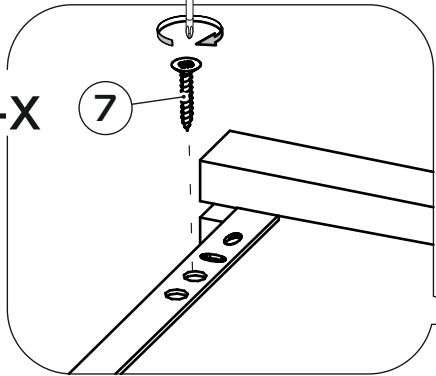
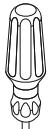
100 mm



12

4x

7



13

