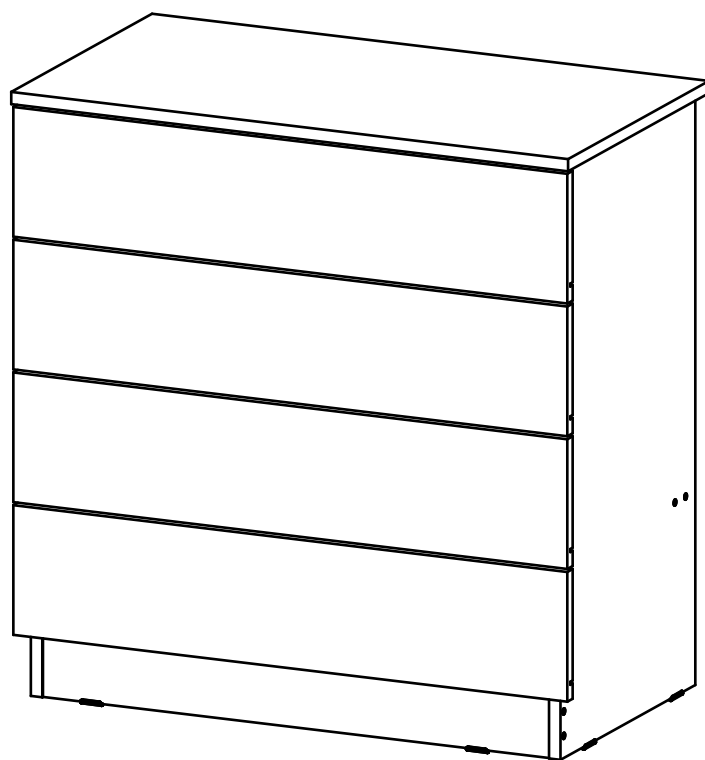
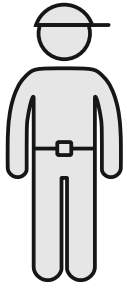


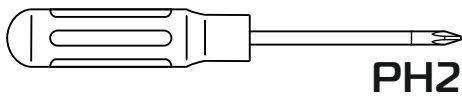
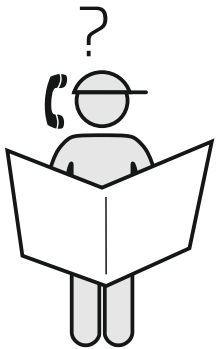
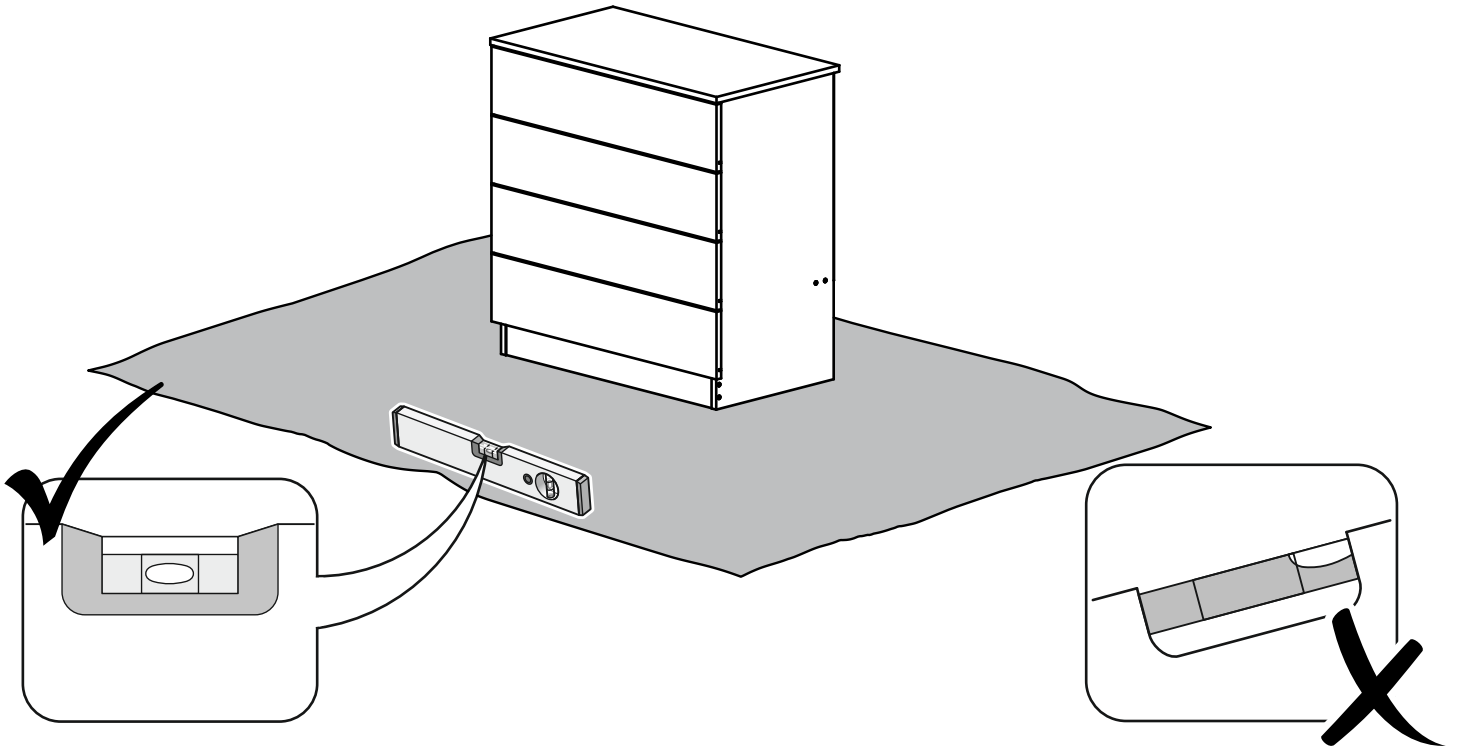
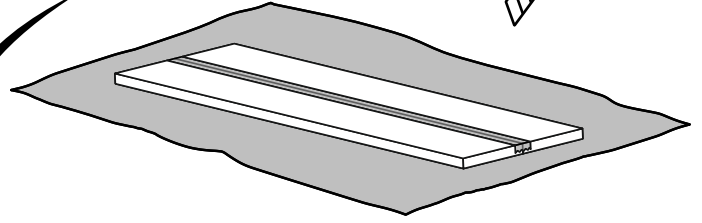
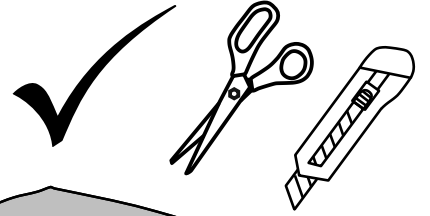
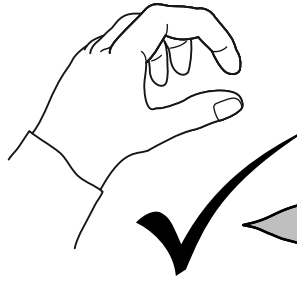
YHO-27

UNO-27

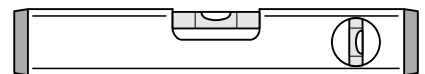
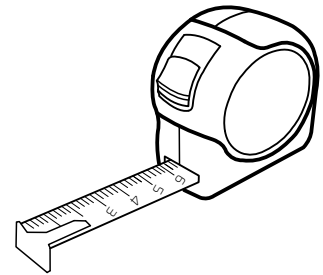
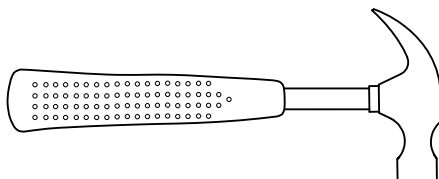


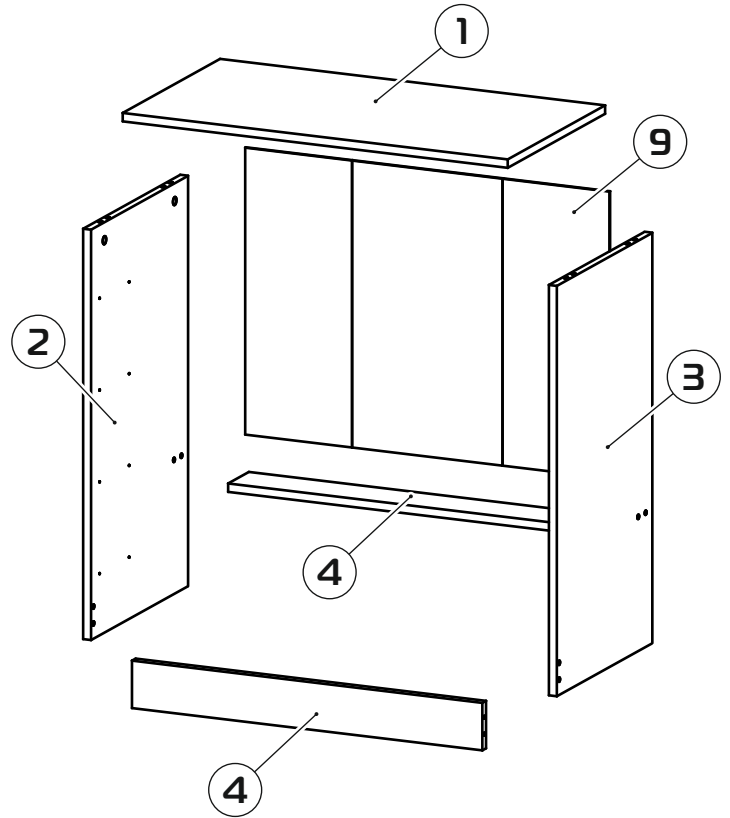
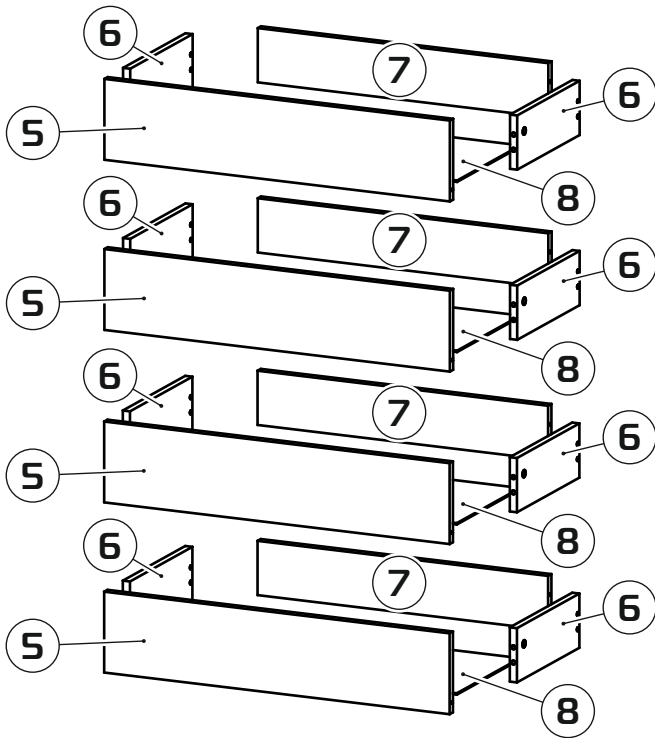


60-90 min



PH2





① 778x422x16 (x1)

⑥ 400x114x16 (x8)

② 778x404x16 (x1)

⑦ 651x114x16 (x4)

③ 778x404x16 (x1)

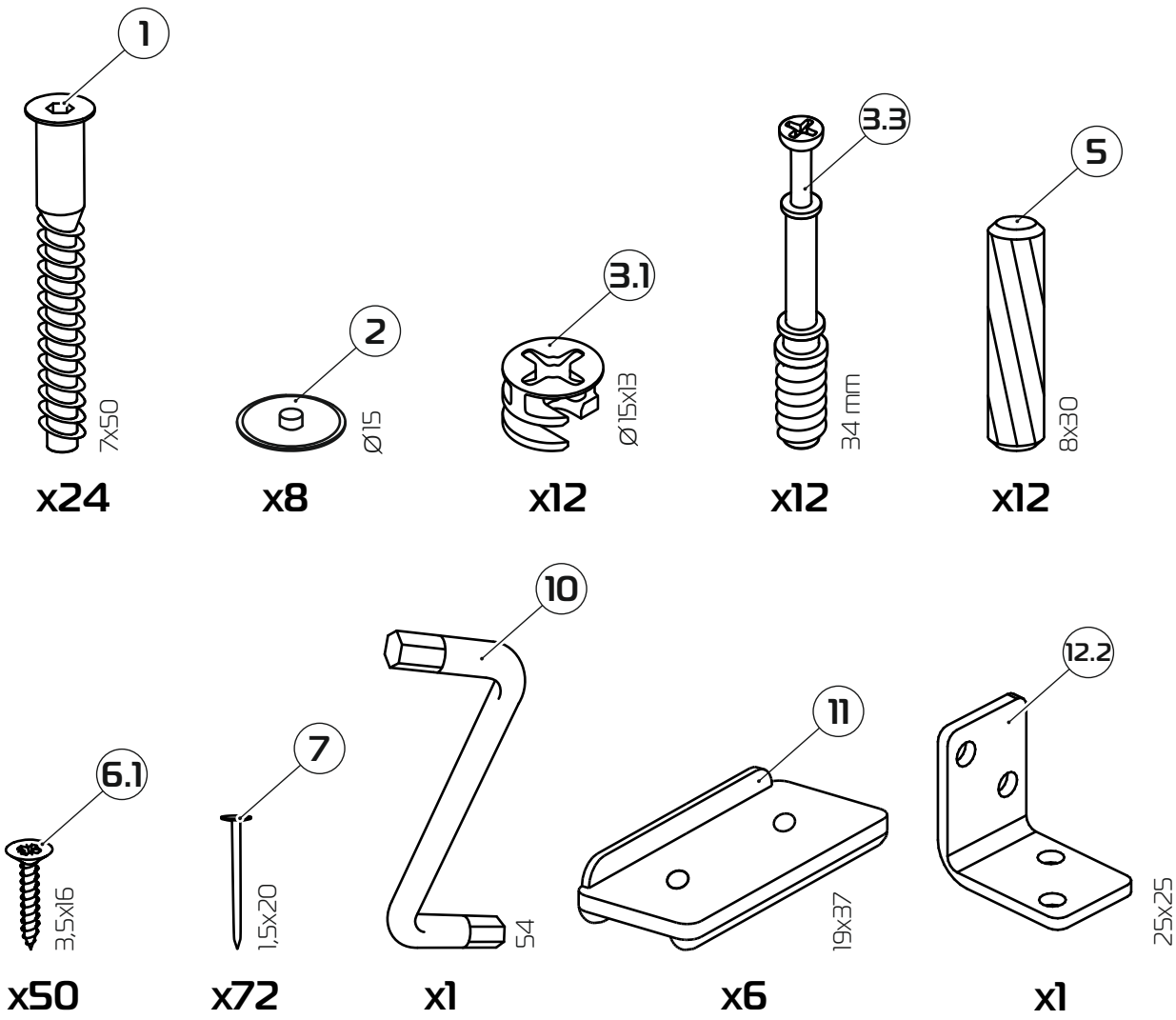
⑧ 678x404x3 (x4)

④ 708x90x16 (x2)

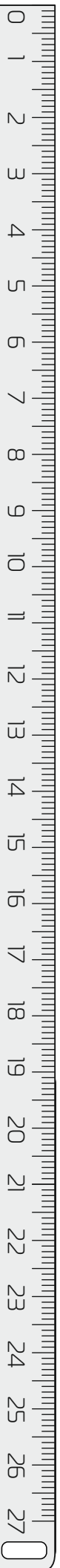
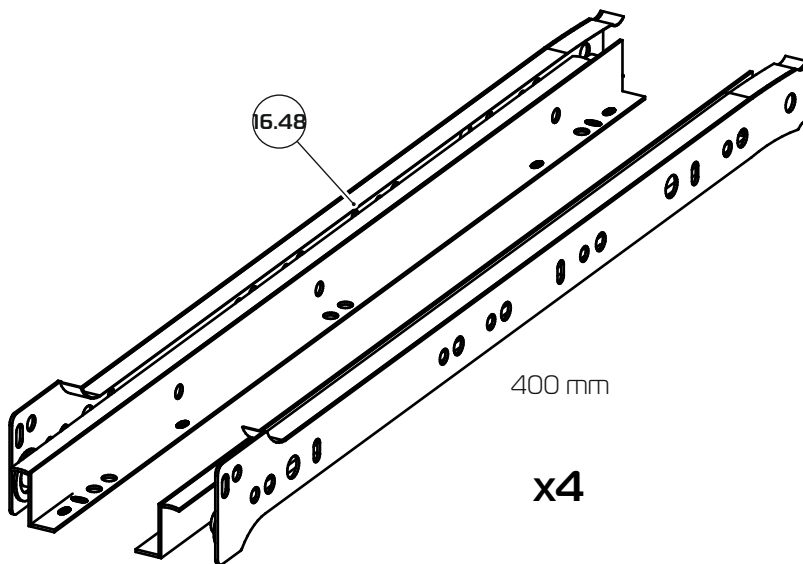
⑨ 544x216/304/216x3 (x1)

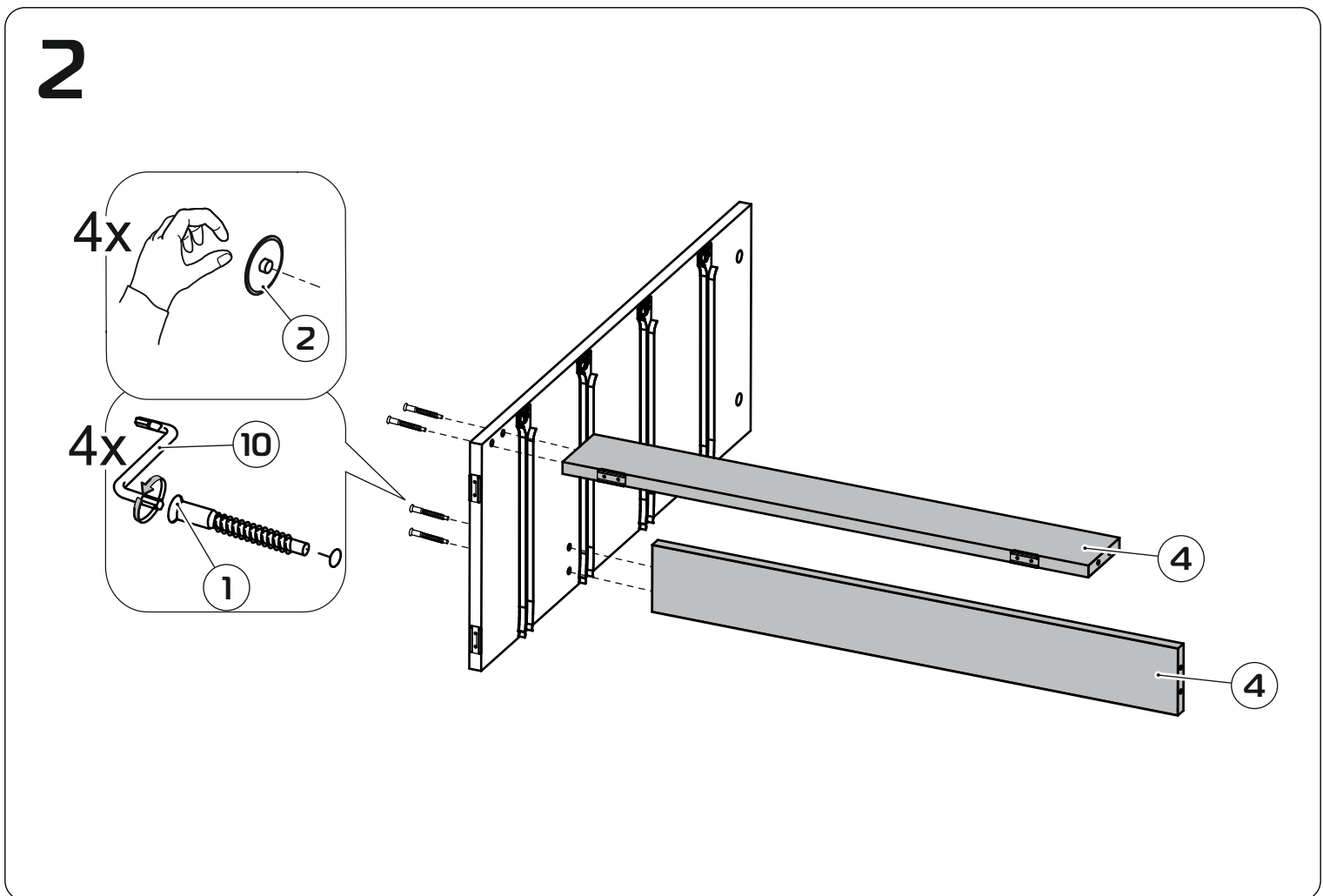
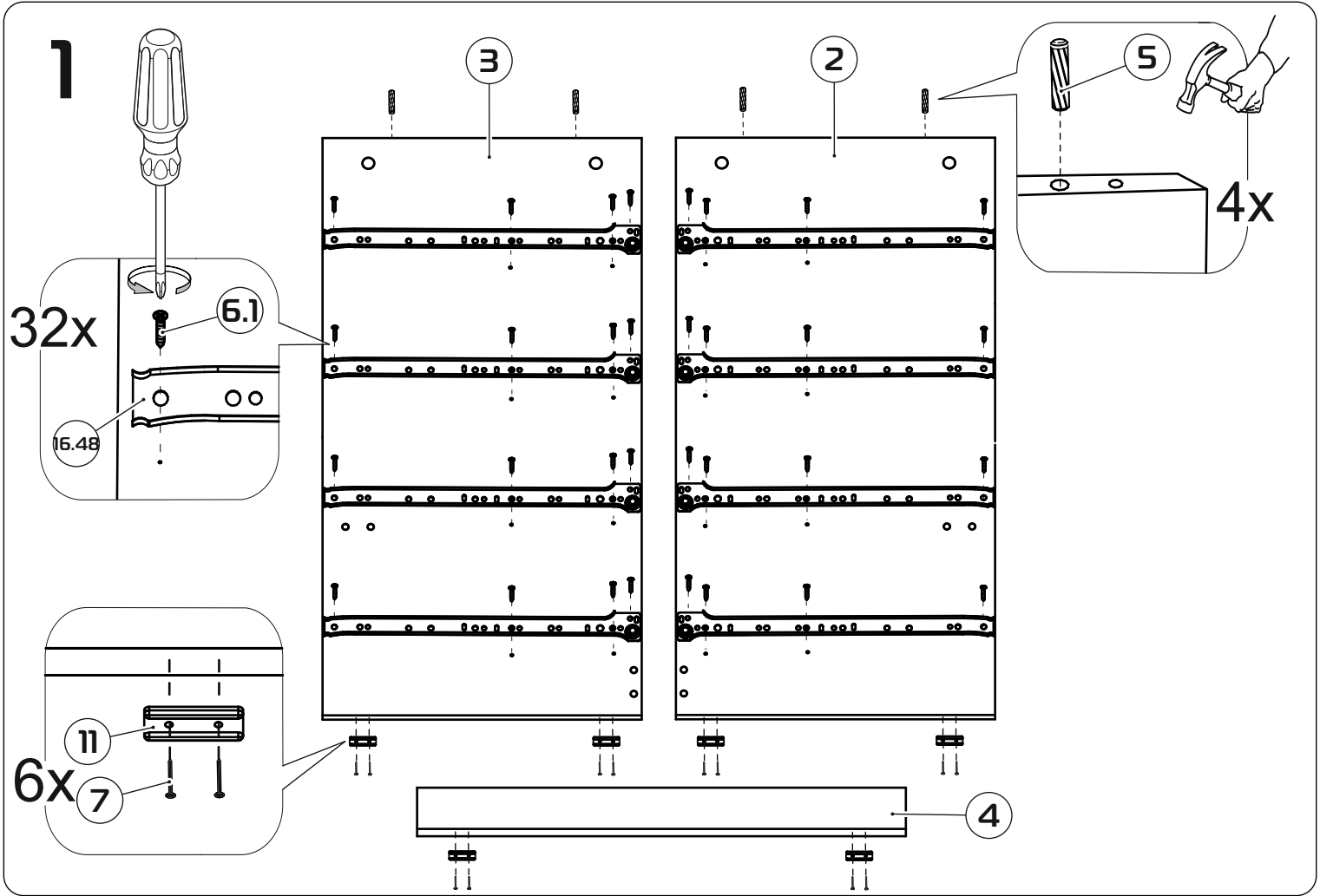
⑤ 774x170x16 (x4)

1:1

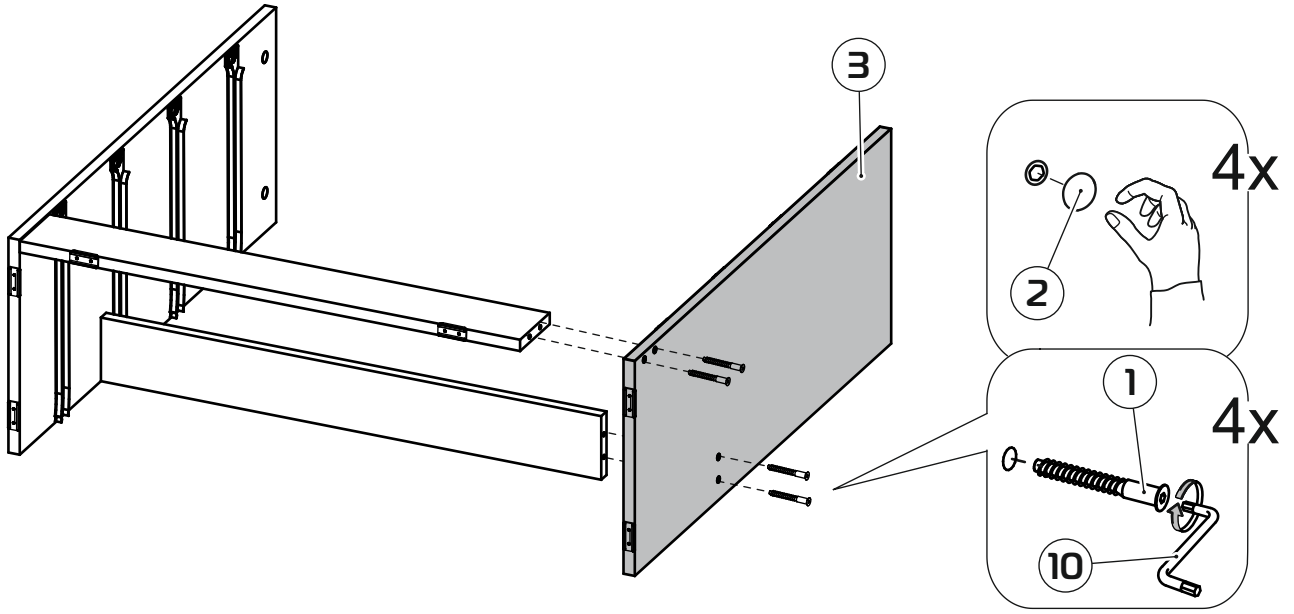


1:2

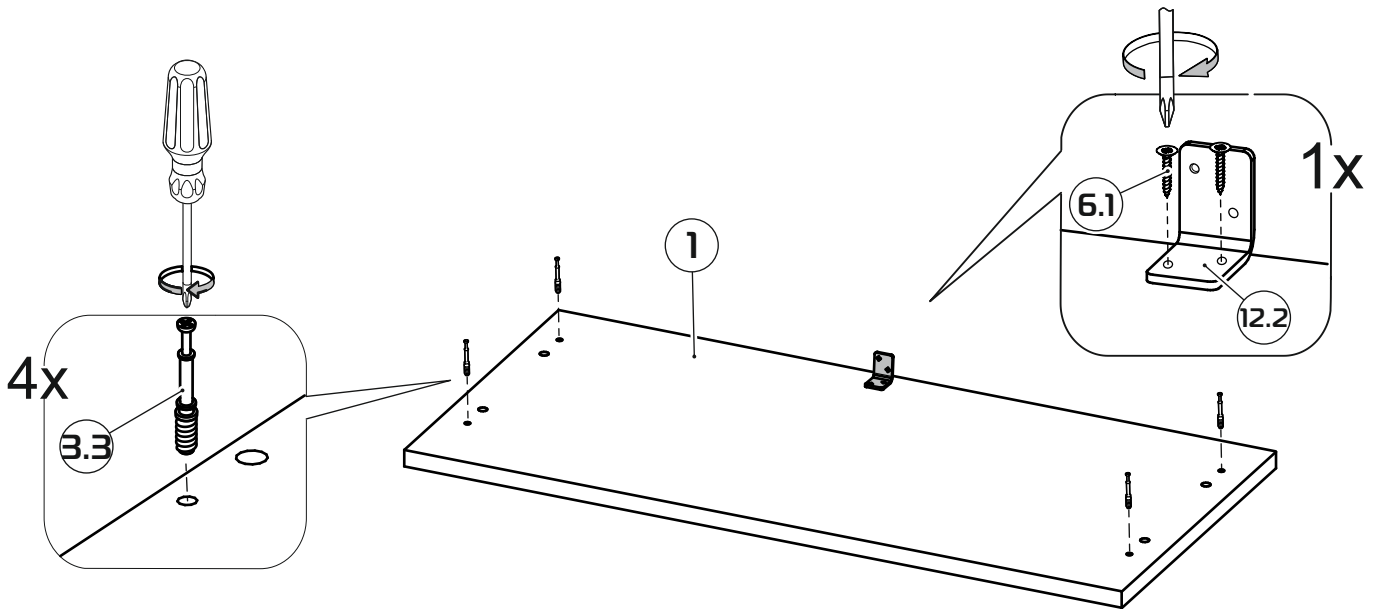




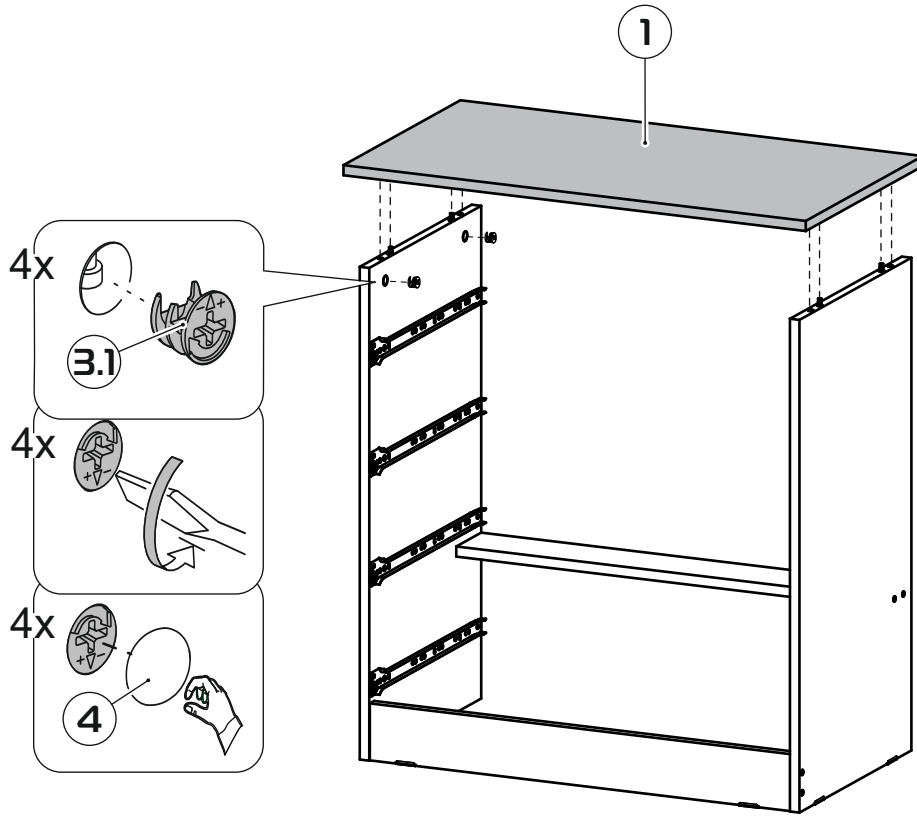
3



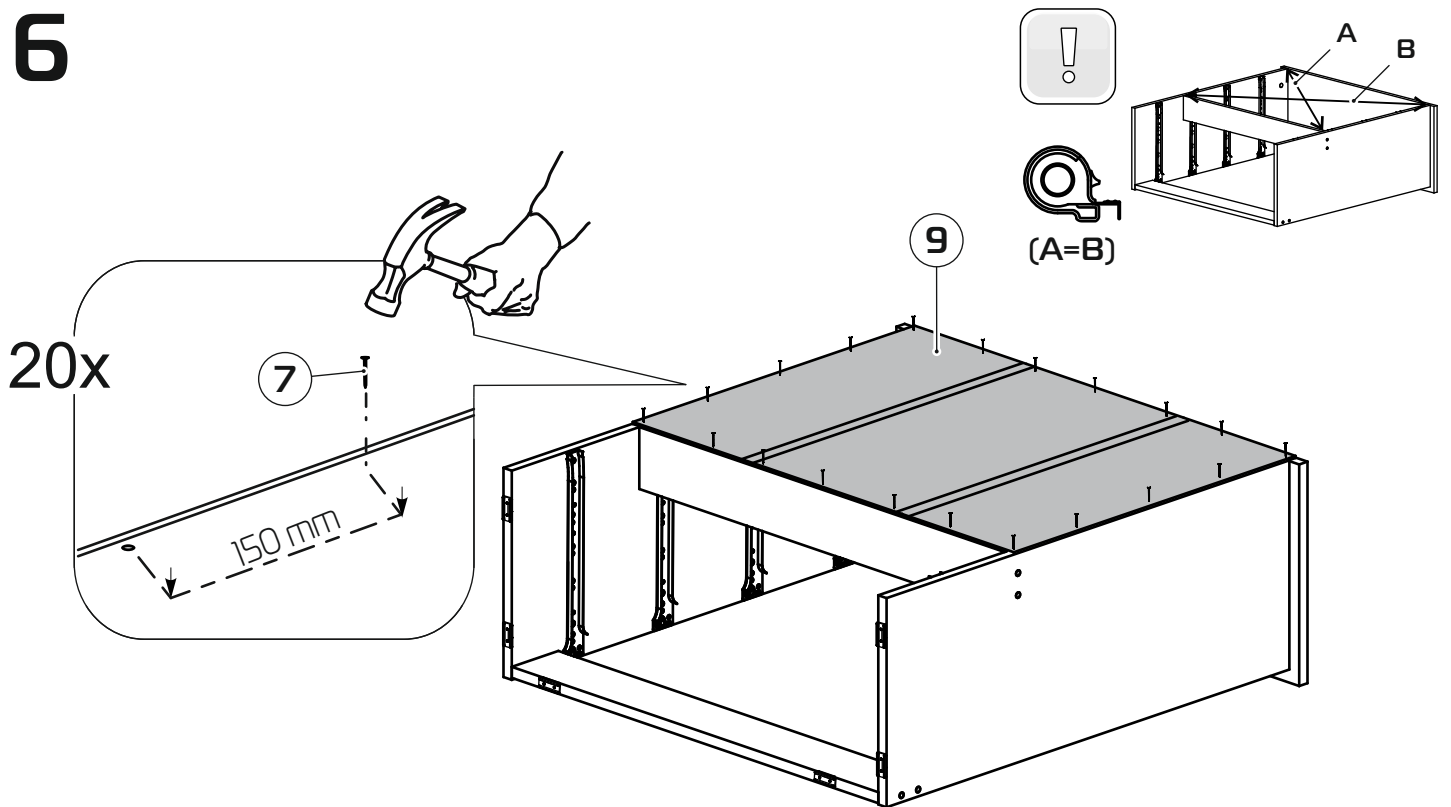
4



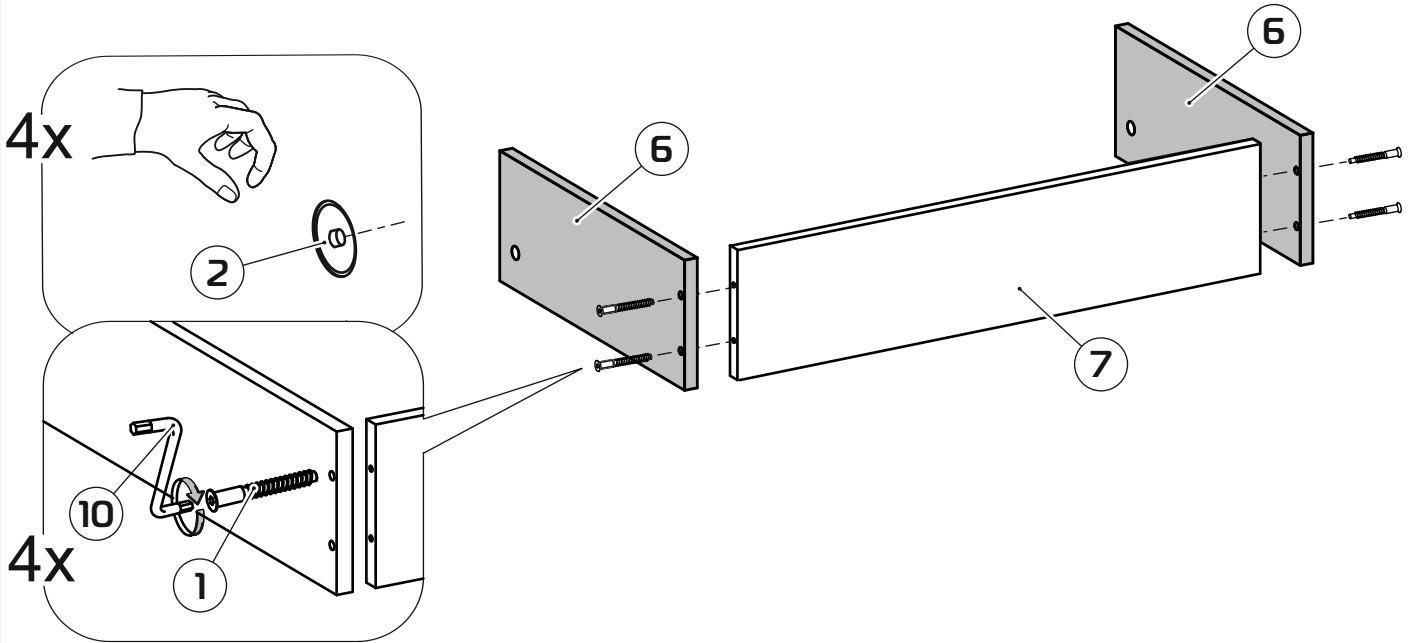
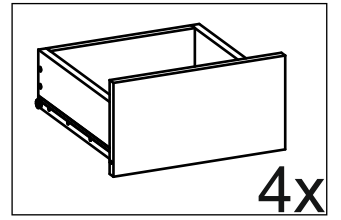
5



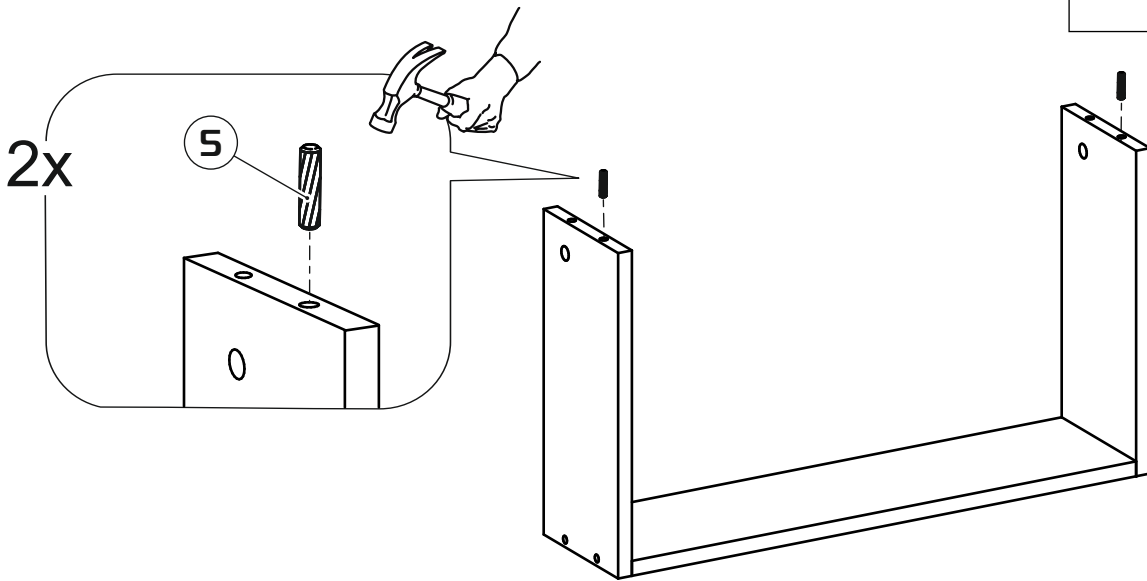
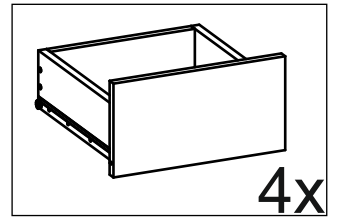
6



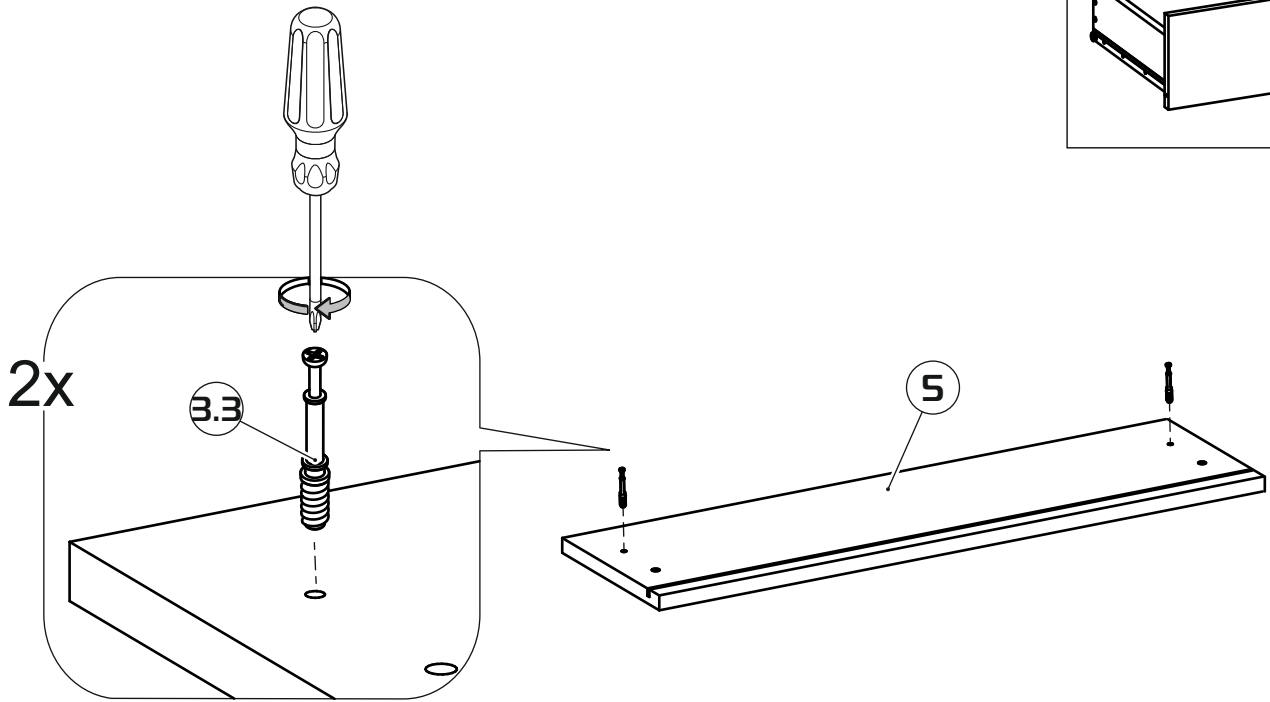
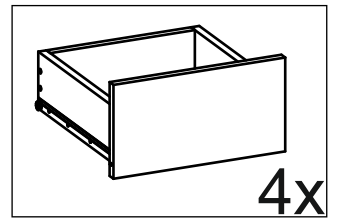
7



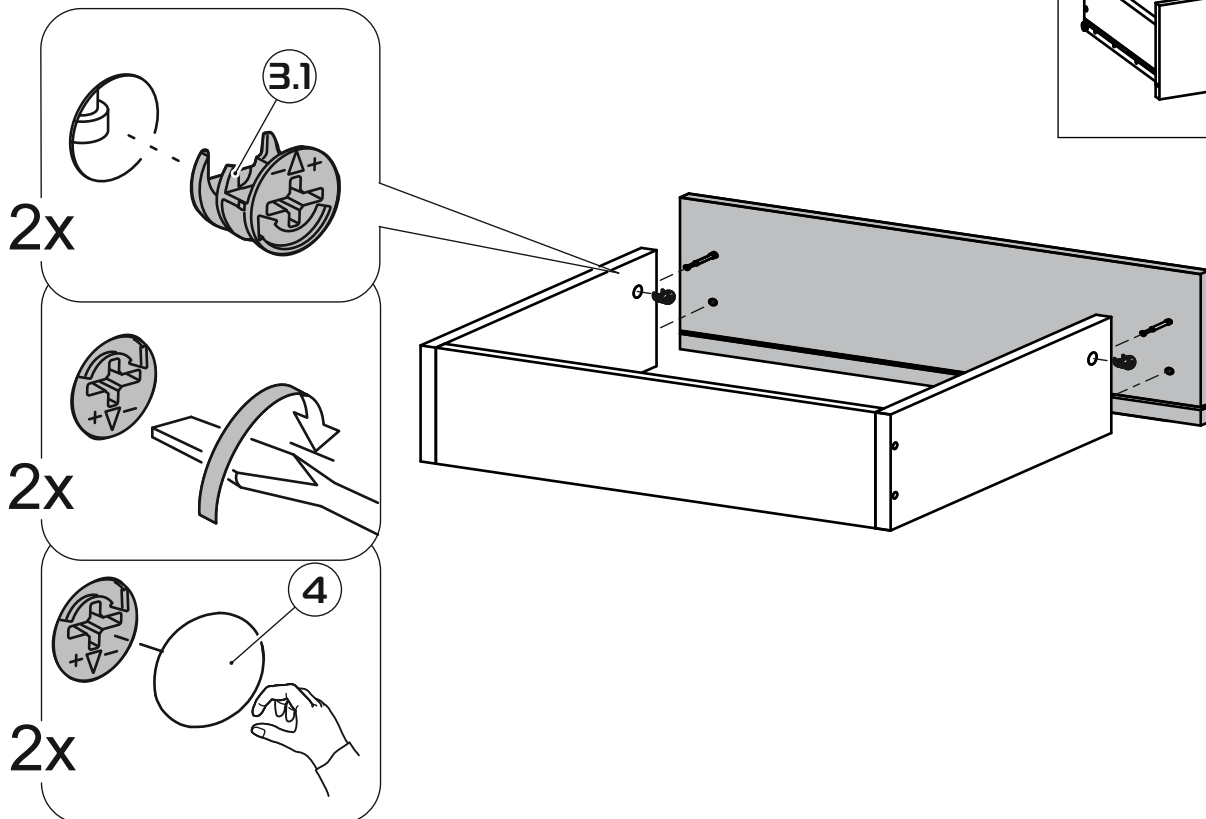
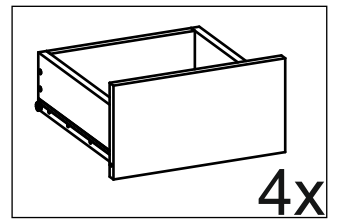
8



9



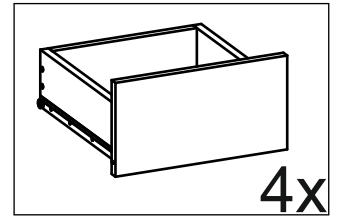
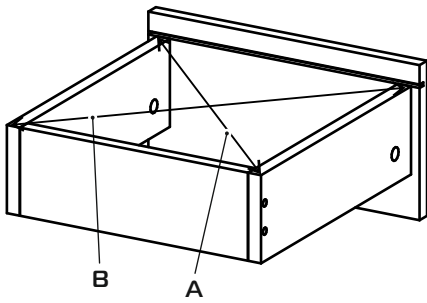
10



11



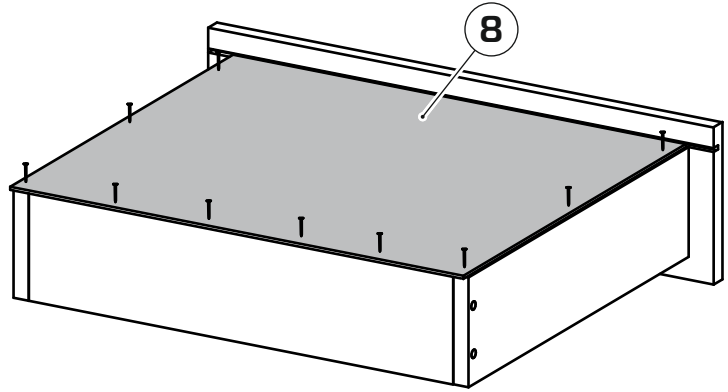
(A=B)



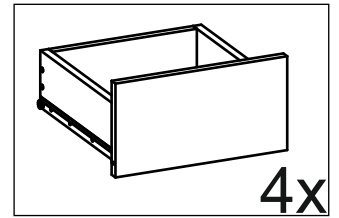
10x

7

150 mm



12

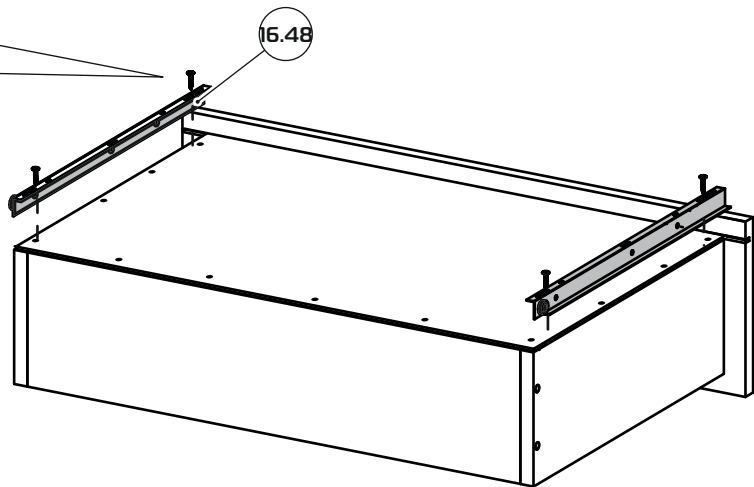
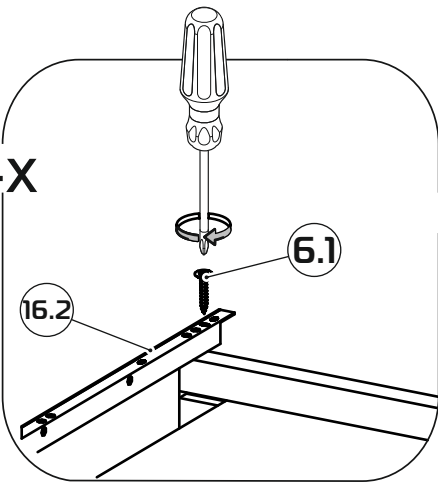


4x

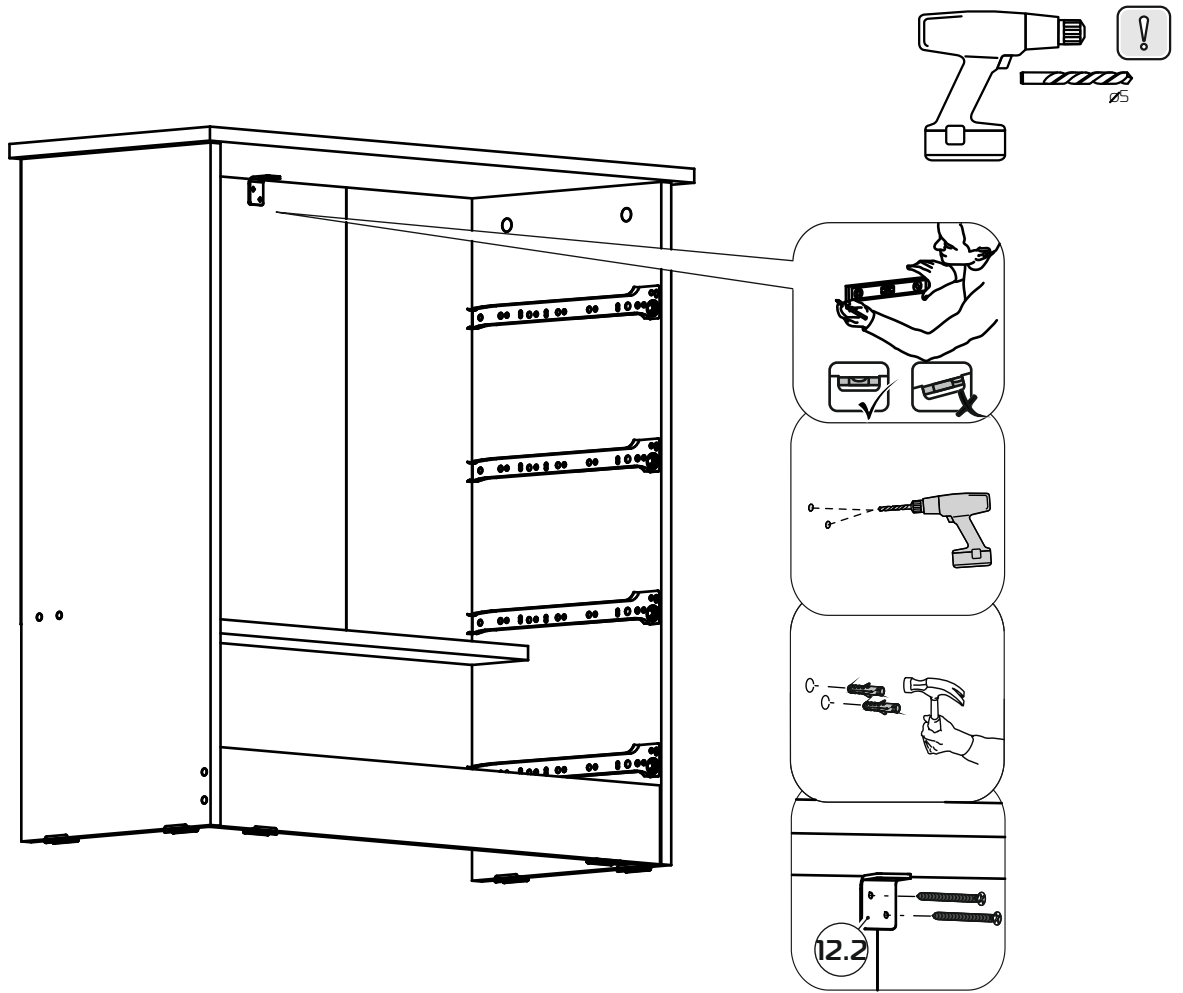
6.1

16.2

16.48



13



14

