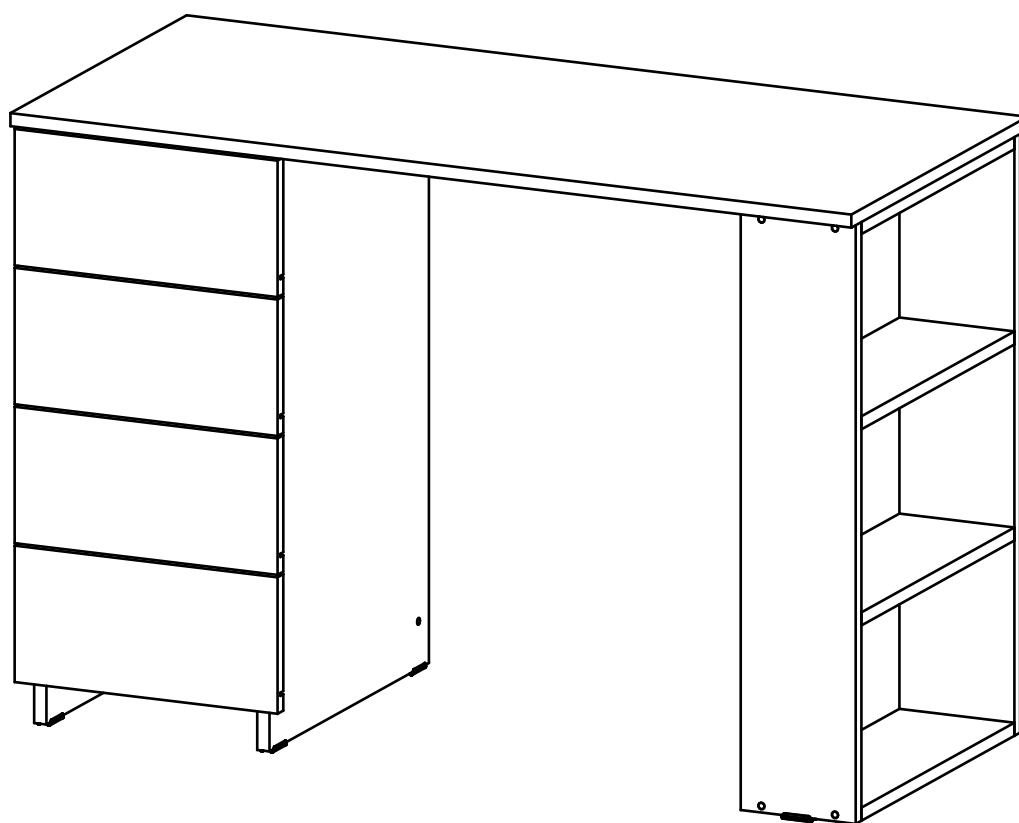


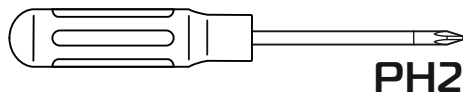
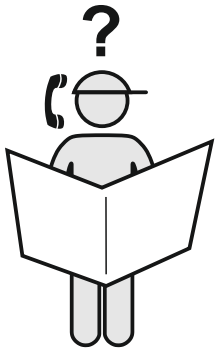
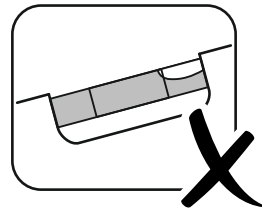
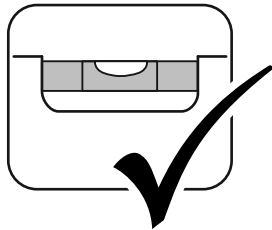
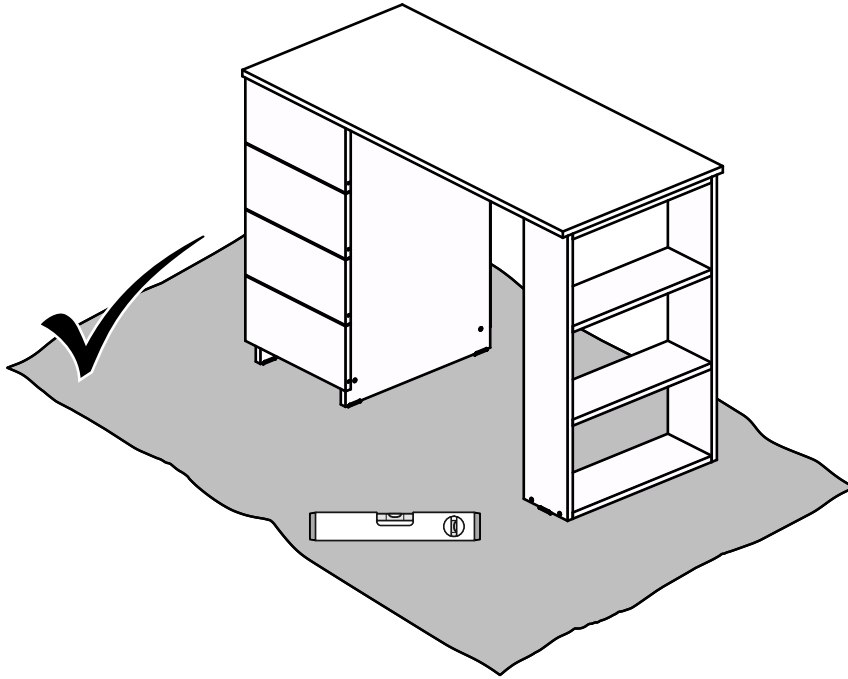
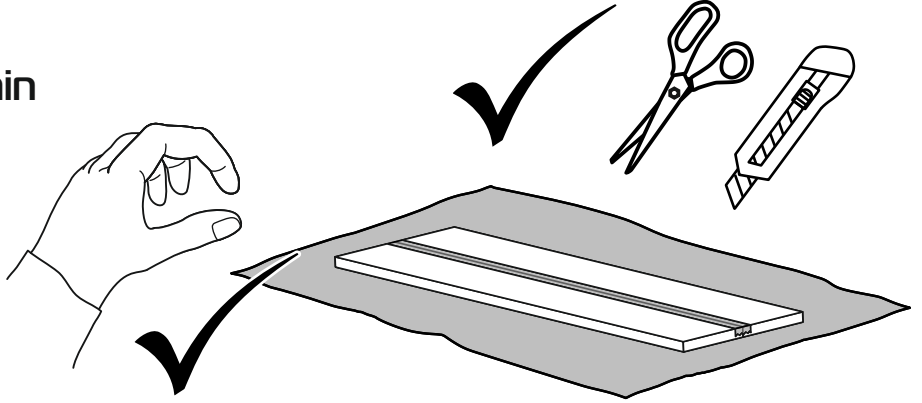
YHO-5

UNO-5

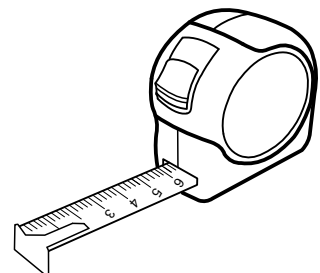
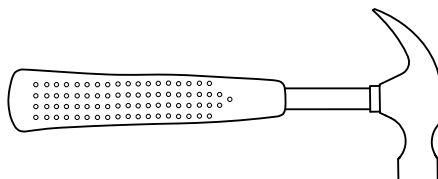
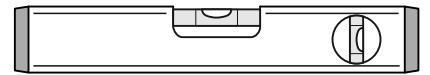


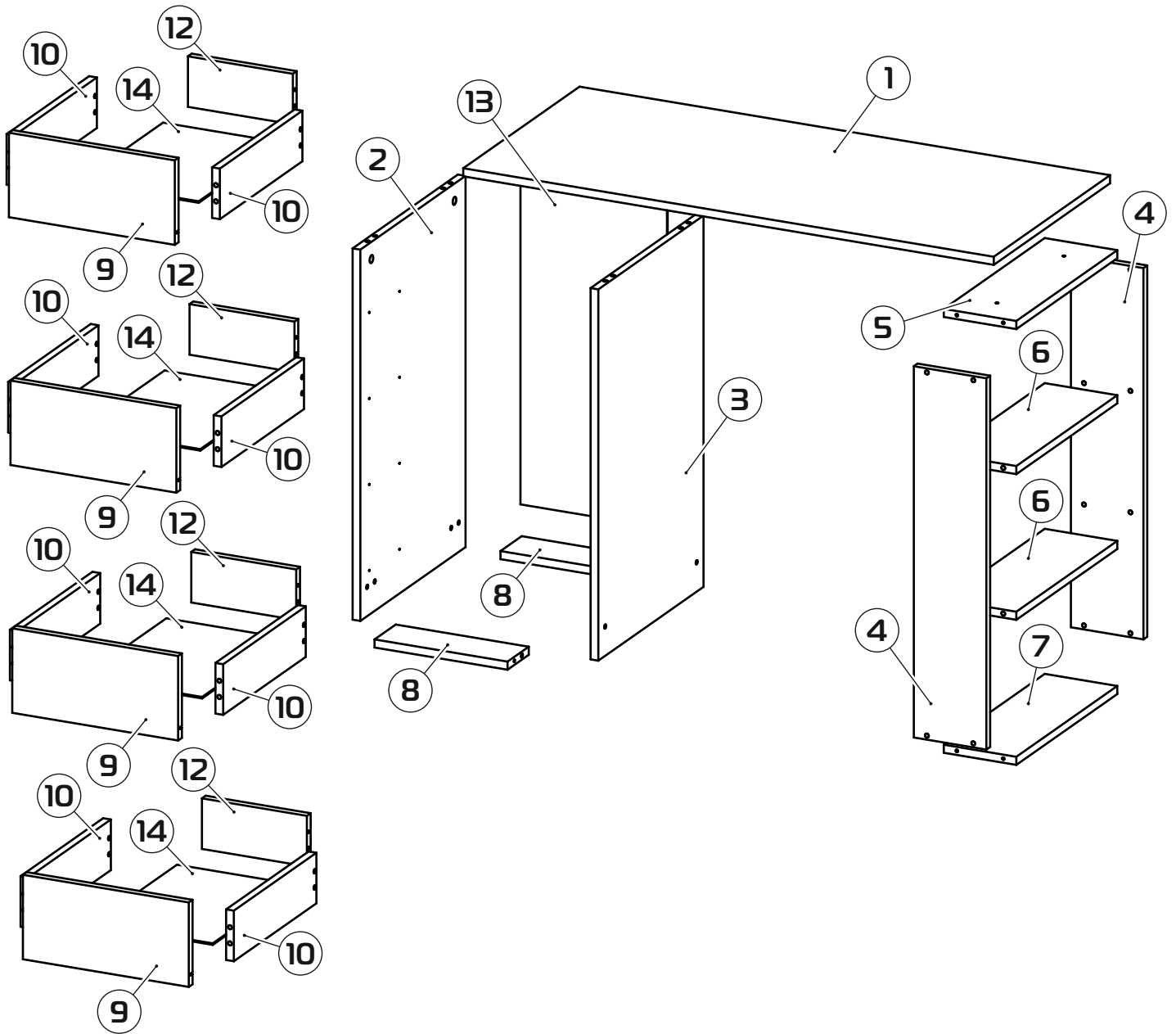


50-60 min



PH2





① 1097x493x16 (x1)

⑧ 275x90x16 (x2)

② 734x446x16 (x1)

⑨ 343x167x16 (x4)

③ 734x446x16 (x1)

⑩ 350x100x16 (x8)

④ 150x734x16 (x2)

⑫ 217x100x16 (x4)

⑤ 150x428x16 (x1)

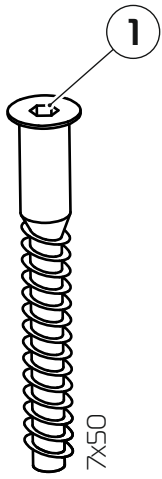
⑬ 682x303x3 (x1)

⑥ 150x428x16 (x2)

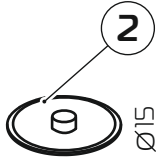
⑭ 247x355x3 (x4)

⑦ 150x428x16 (x1)

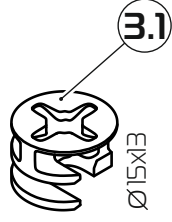
1:1



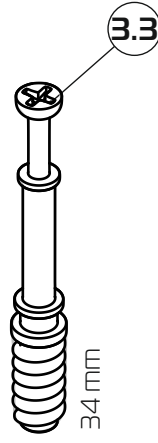
x28



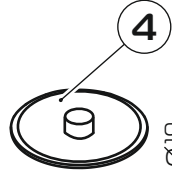
x28



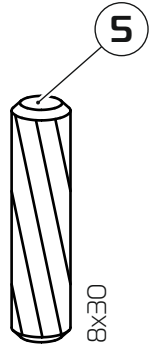
x12



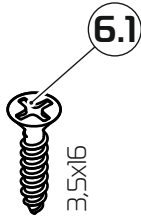
x12



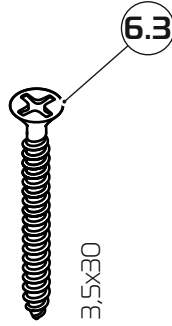
x12



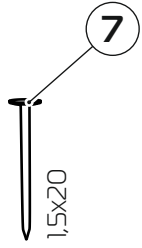
x24



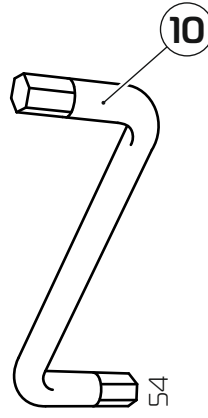
x48



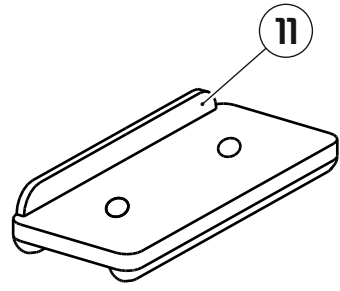
x2



x60

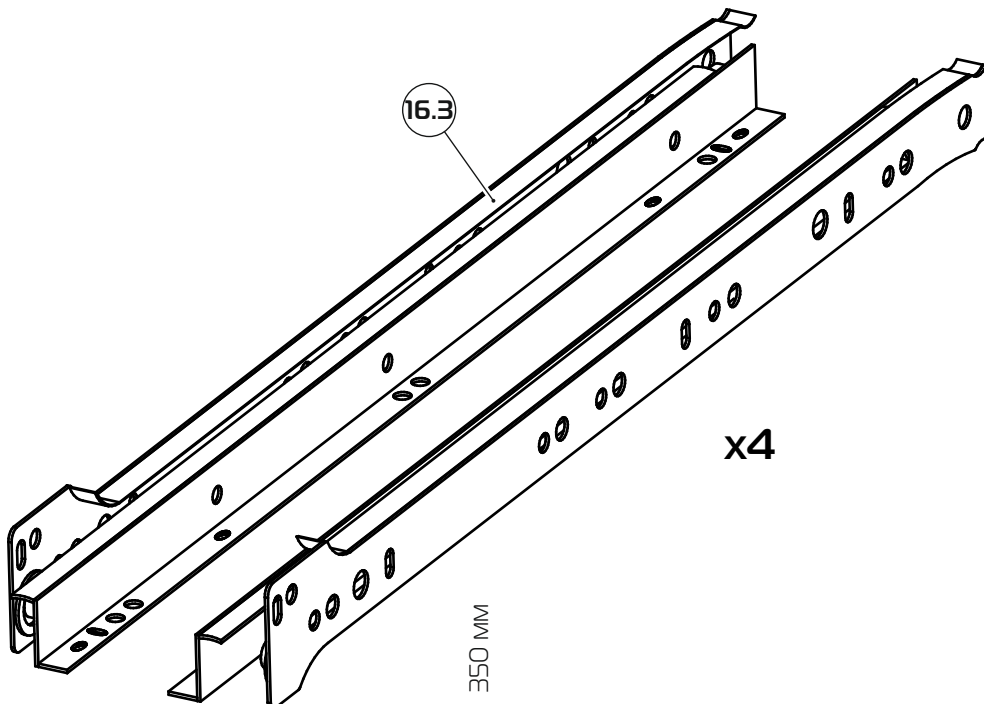


x1

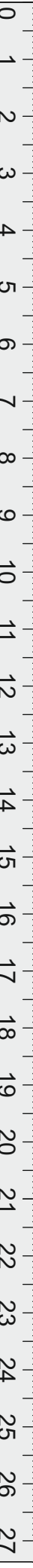


x6

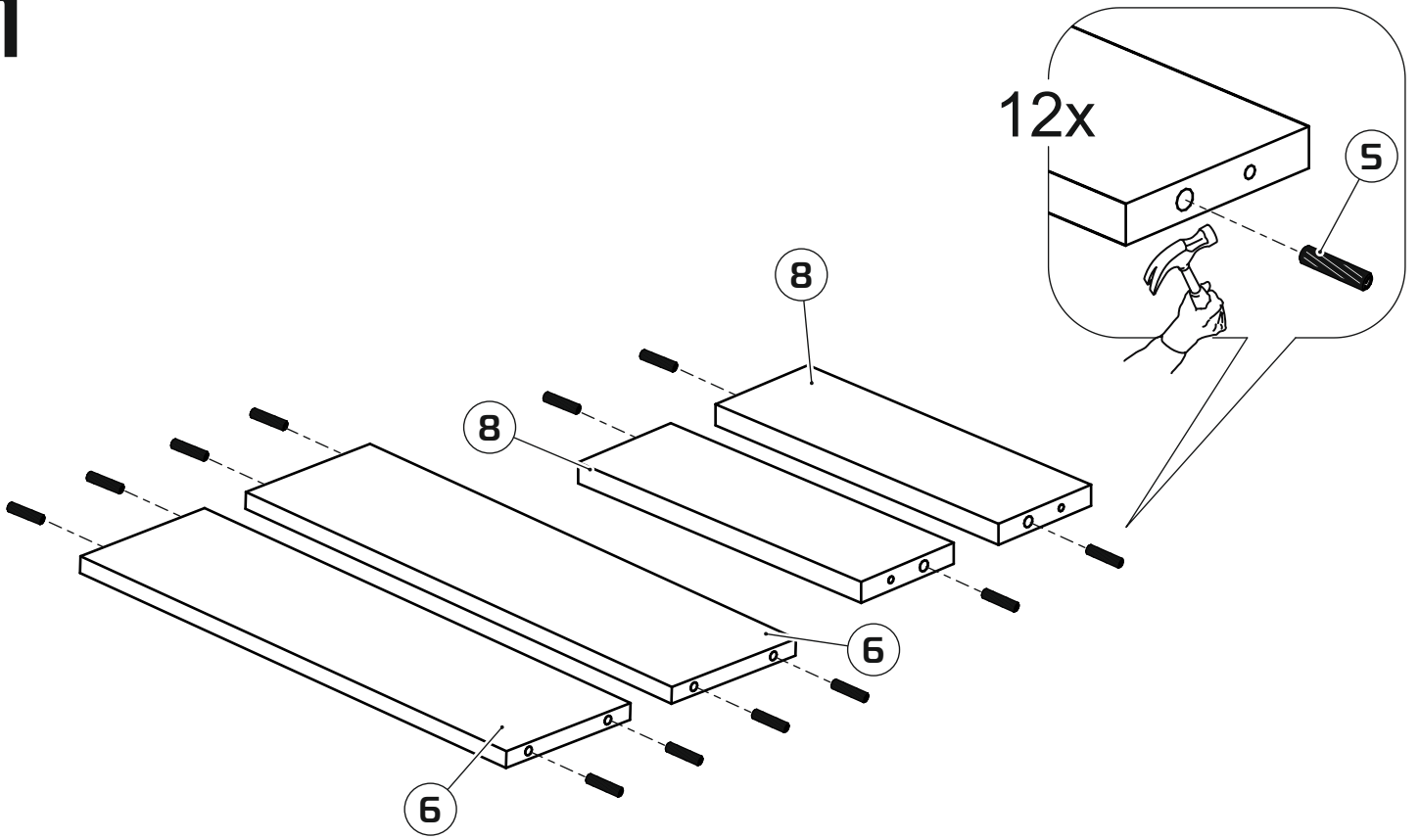
1:2



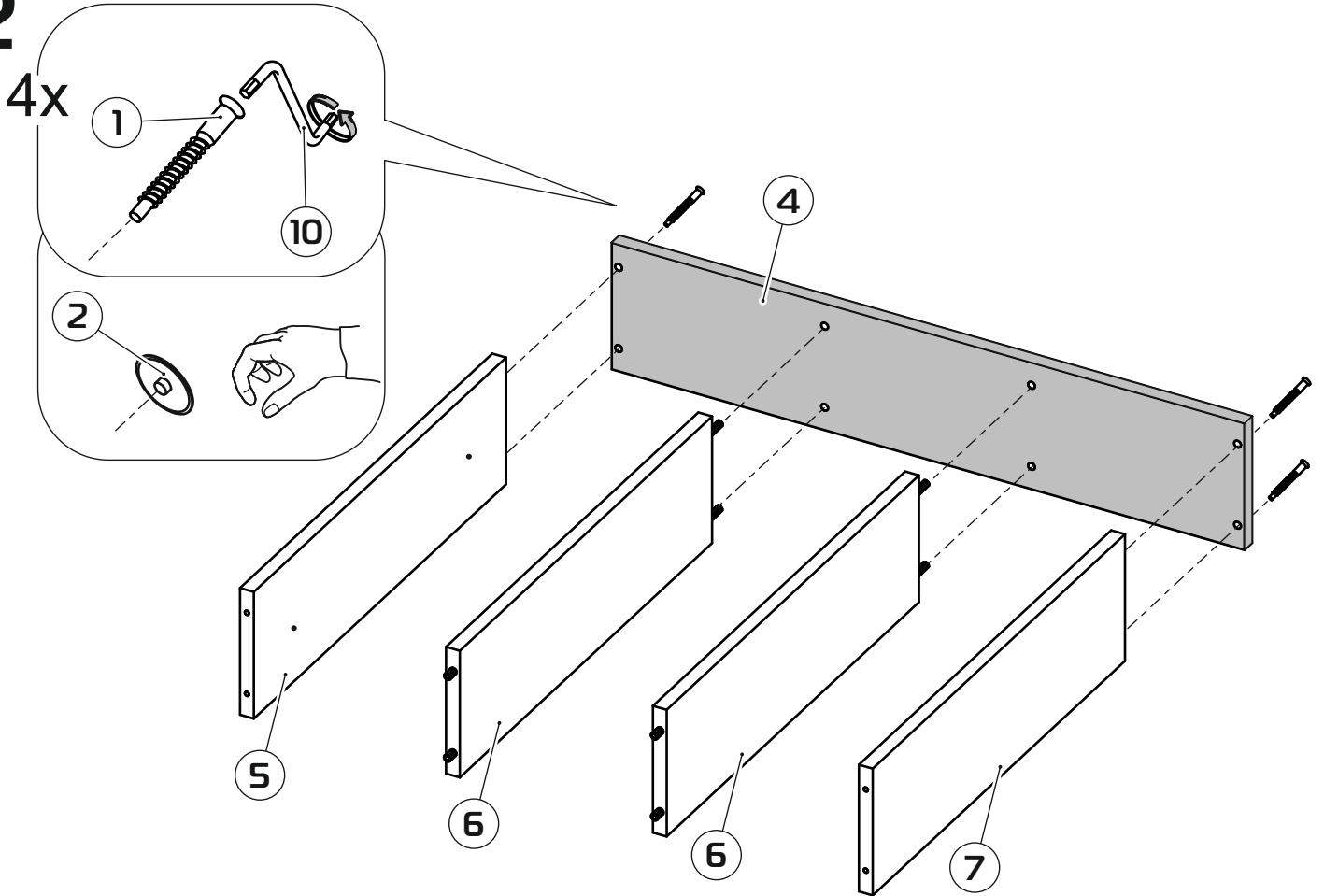
x4



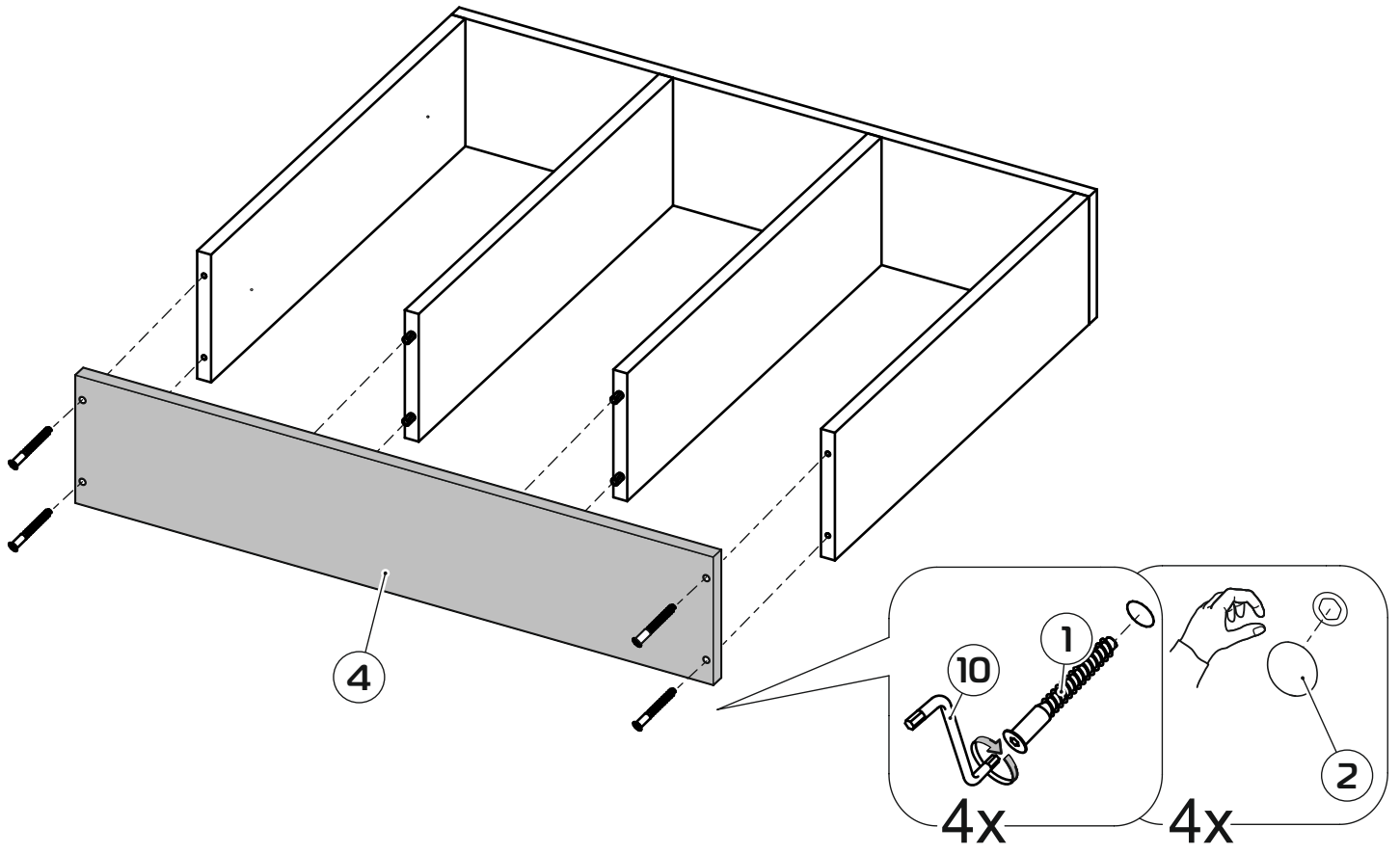
1



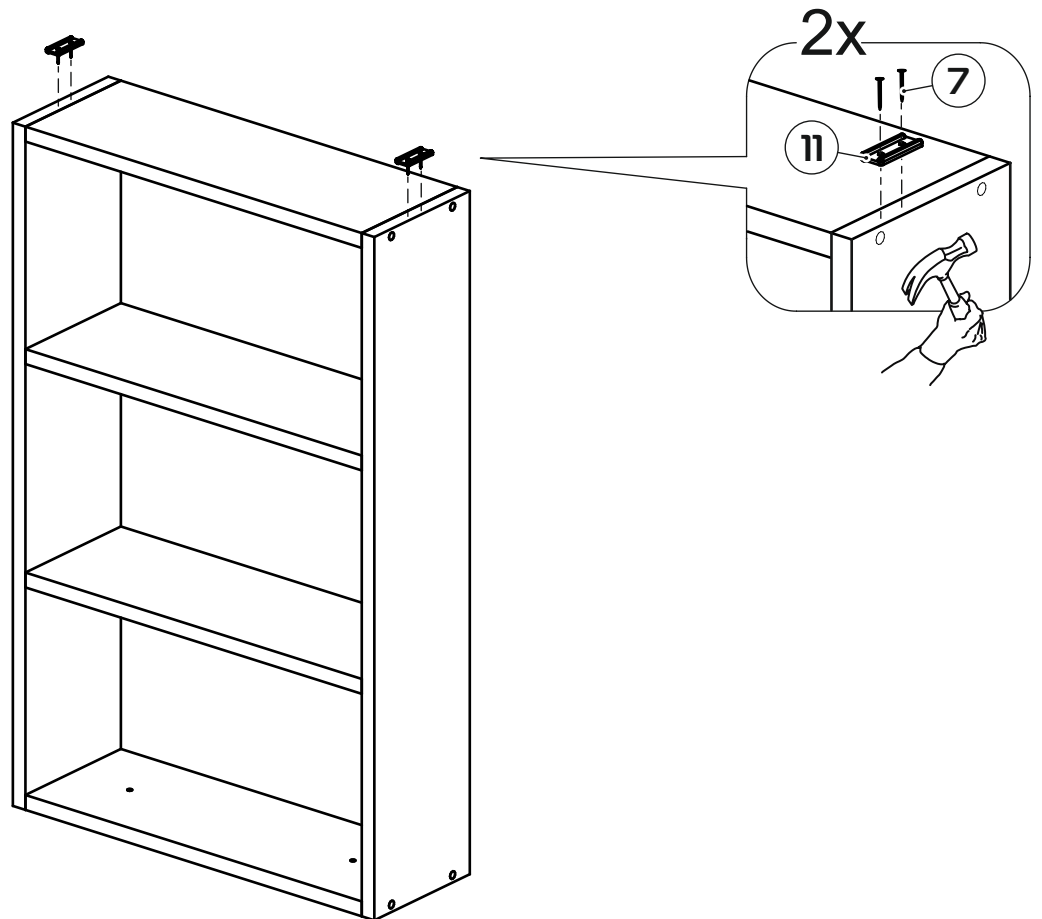
2



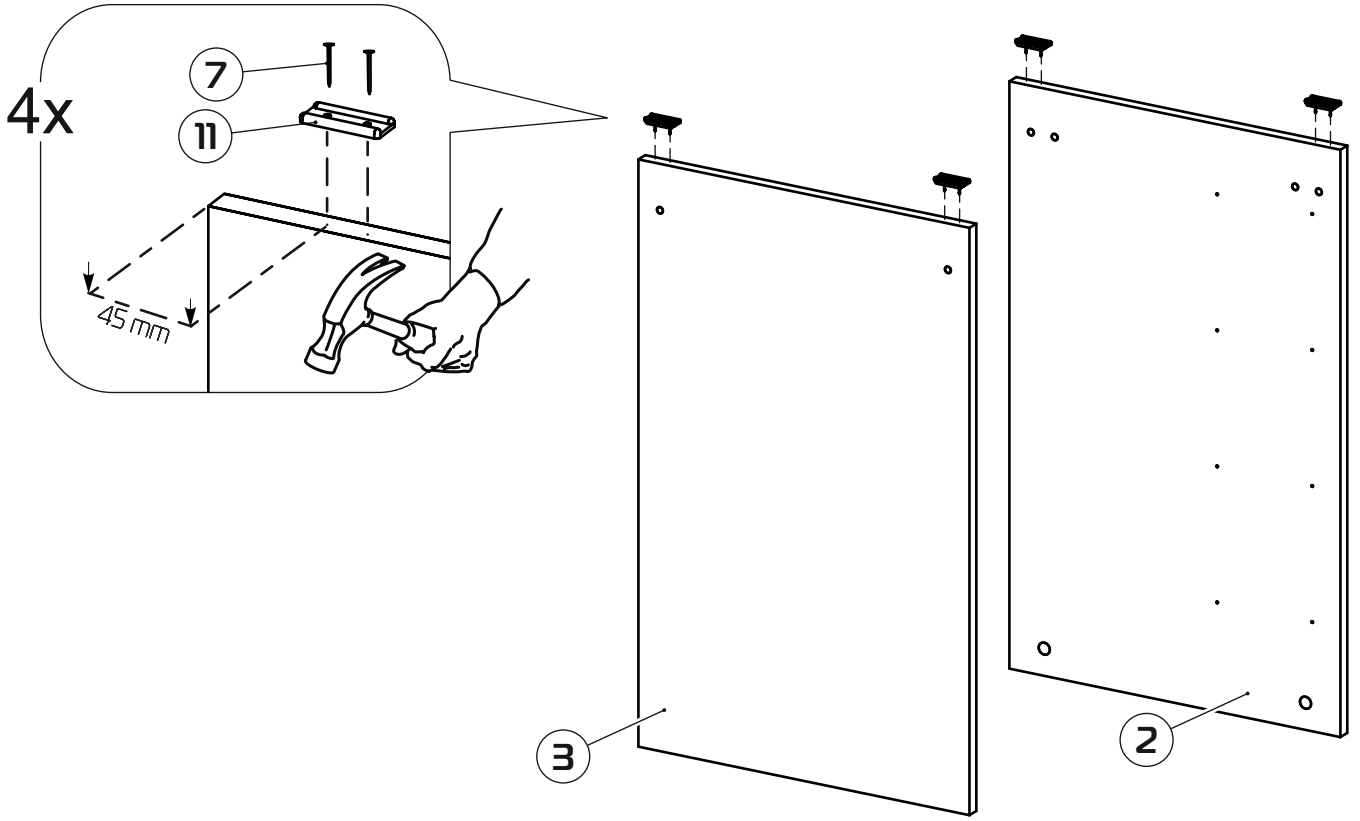
3



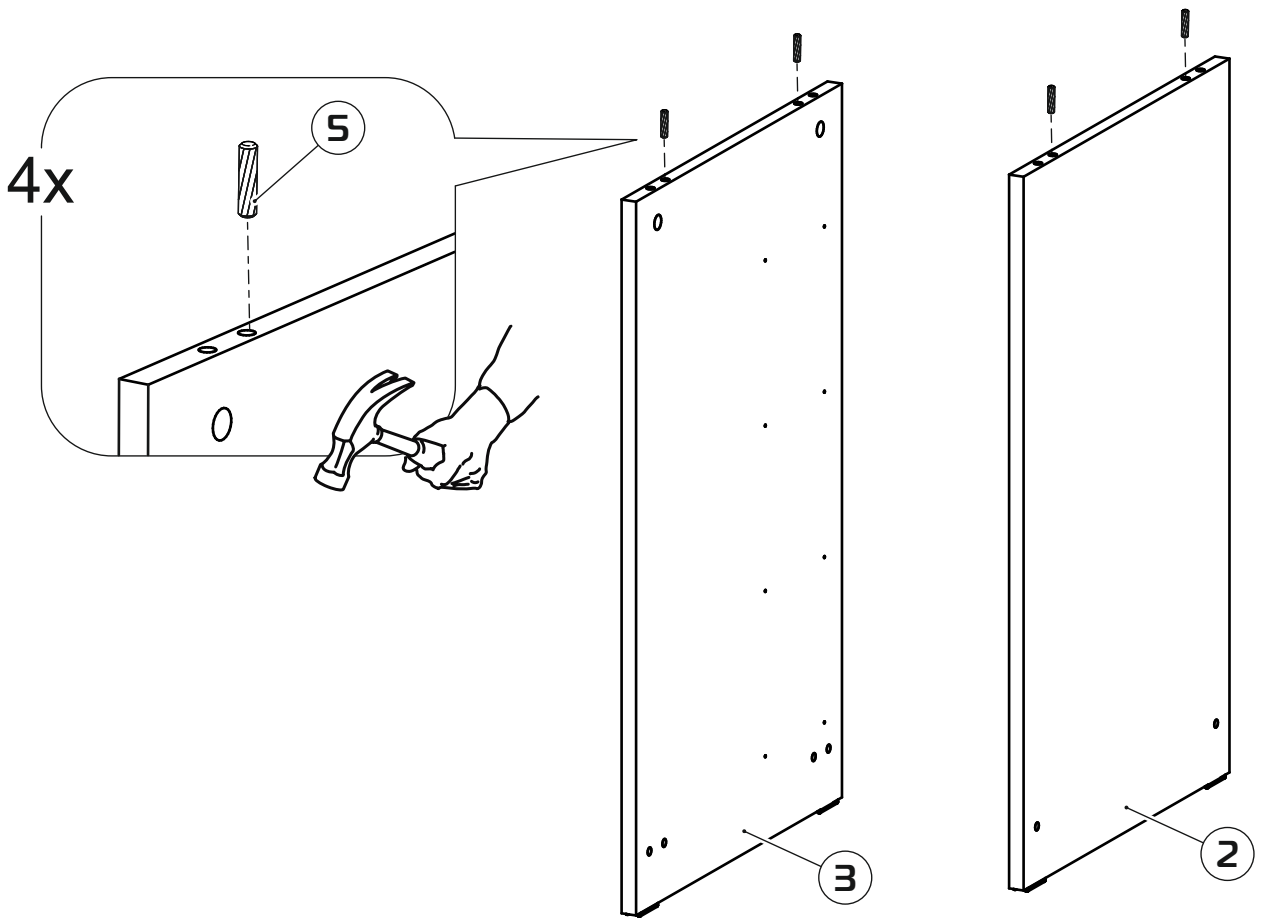
4



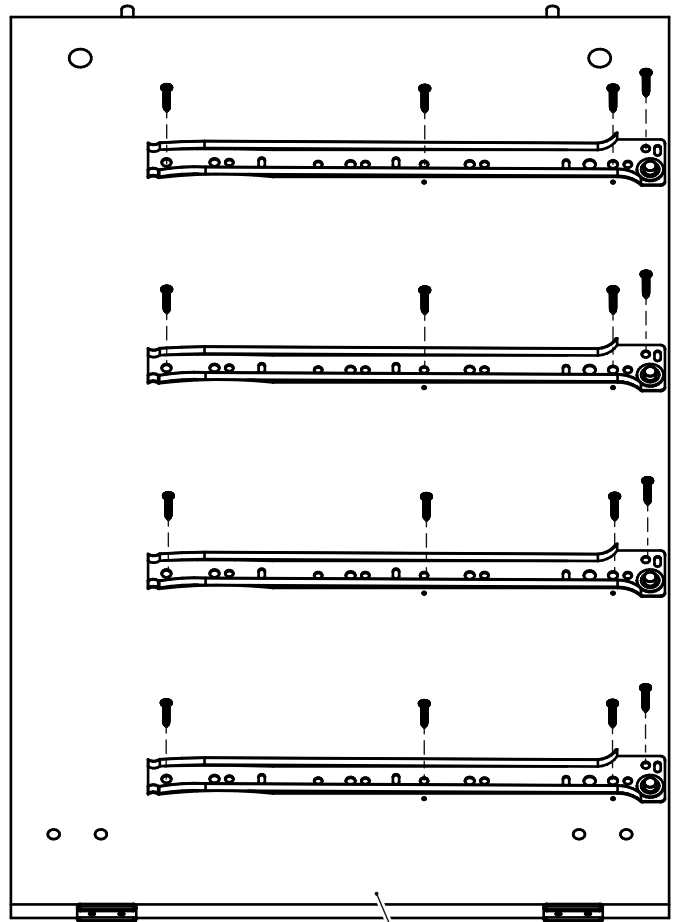
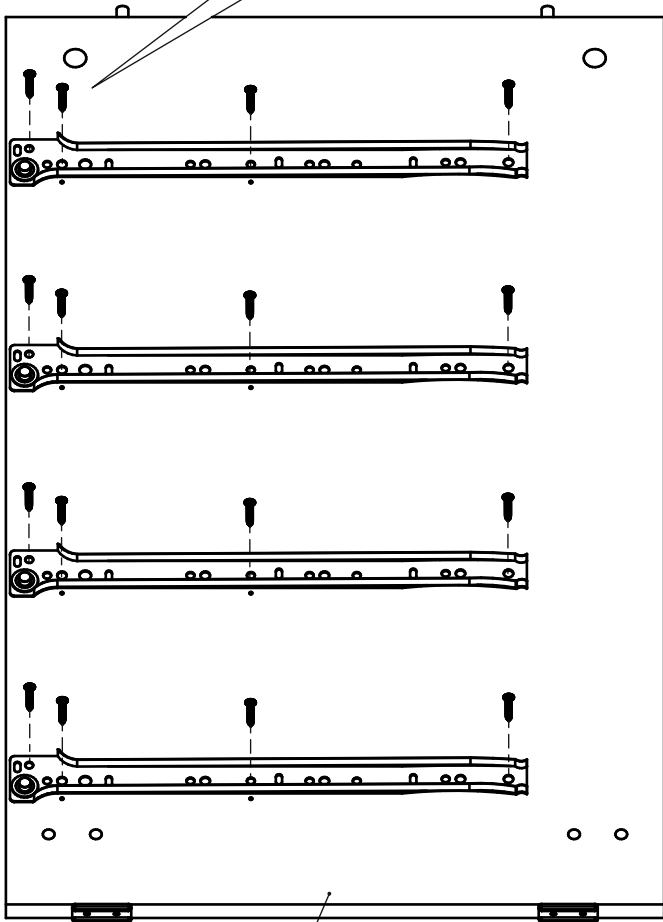
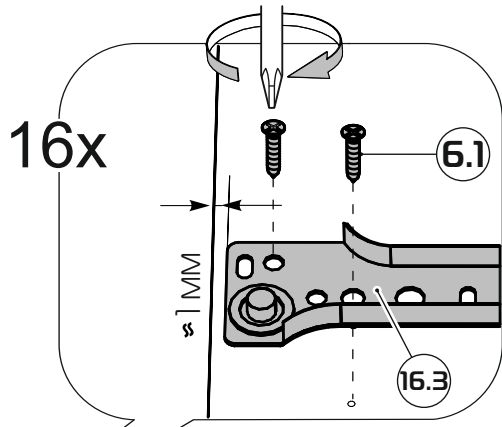
5

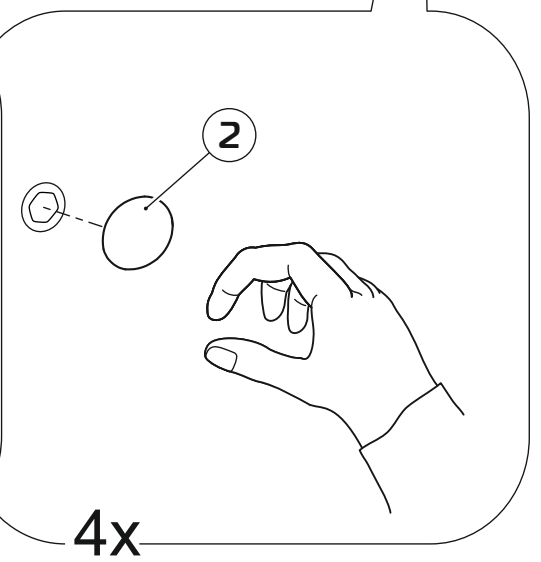
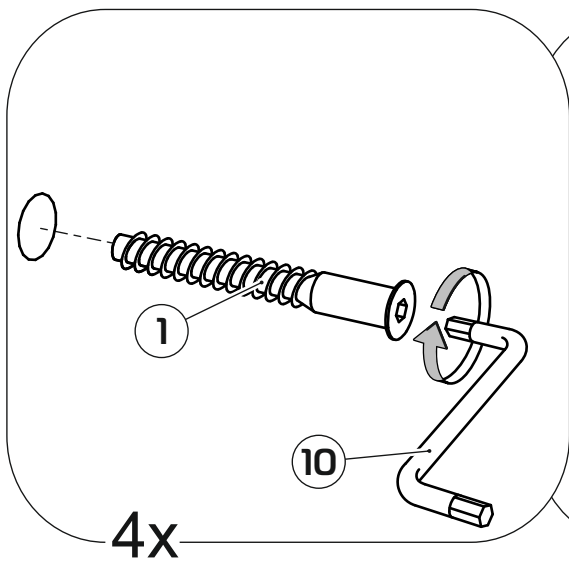
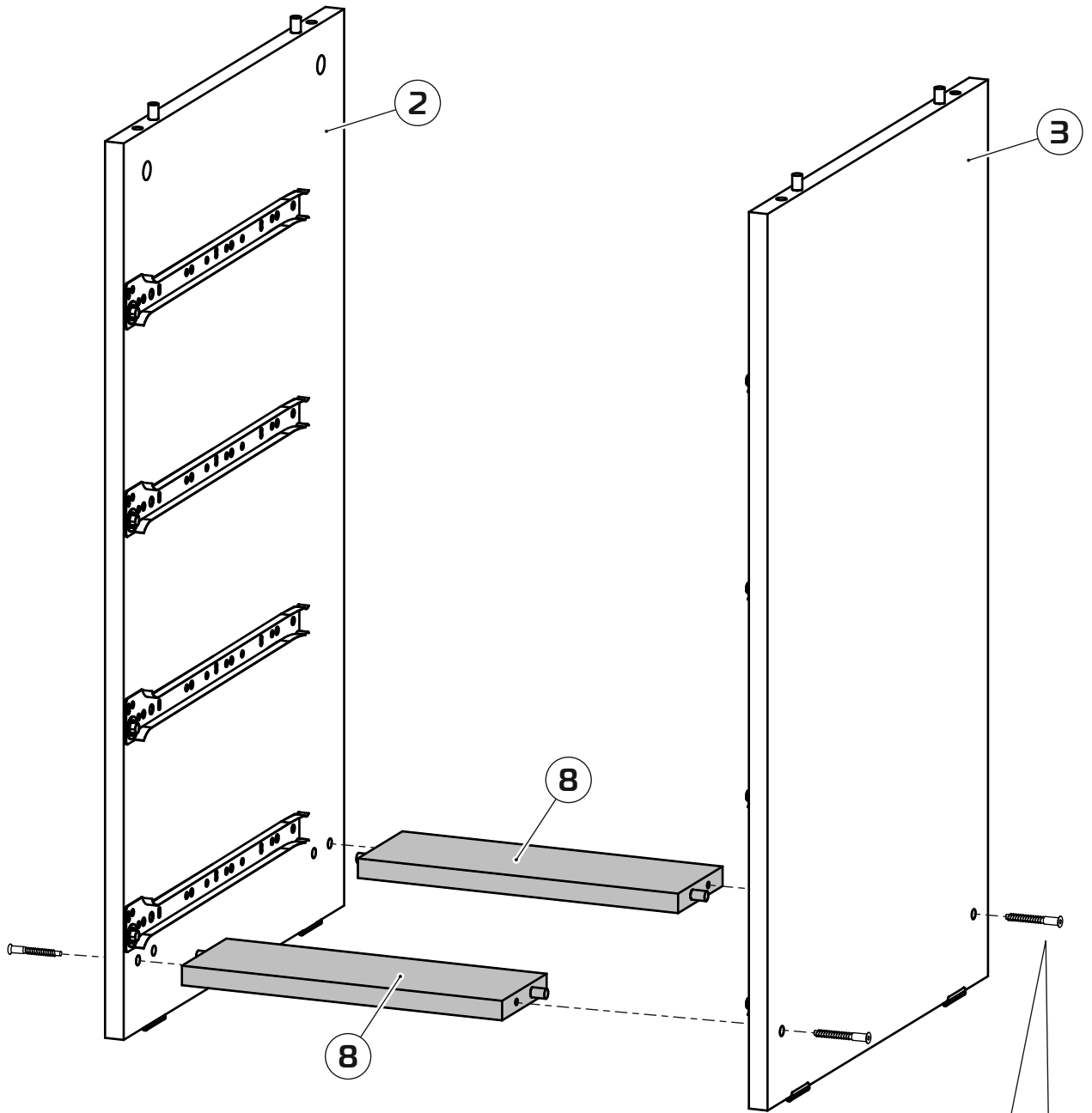


6

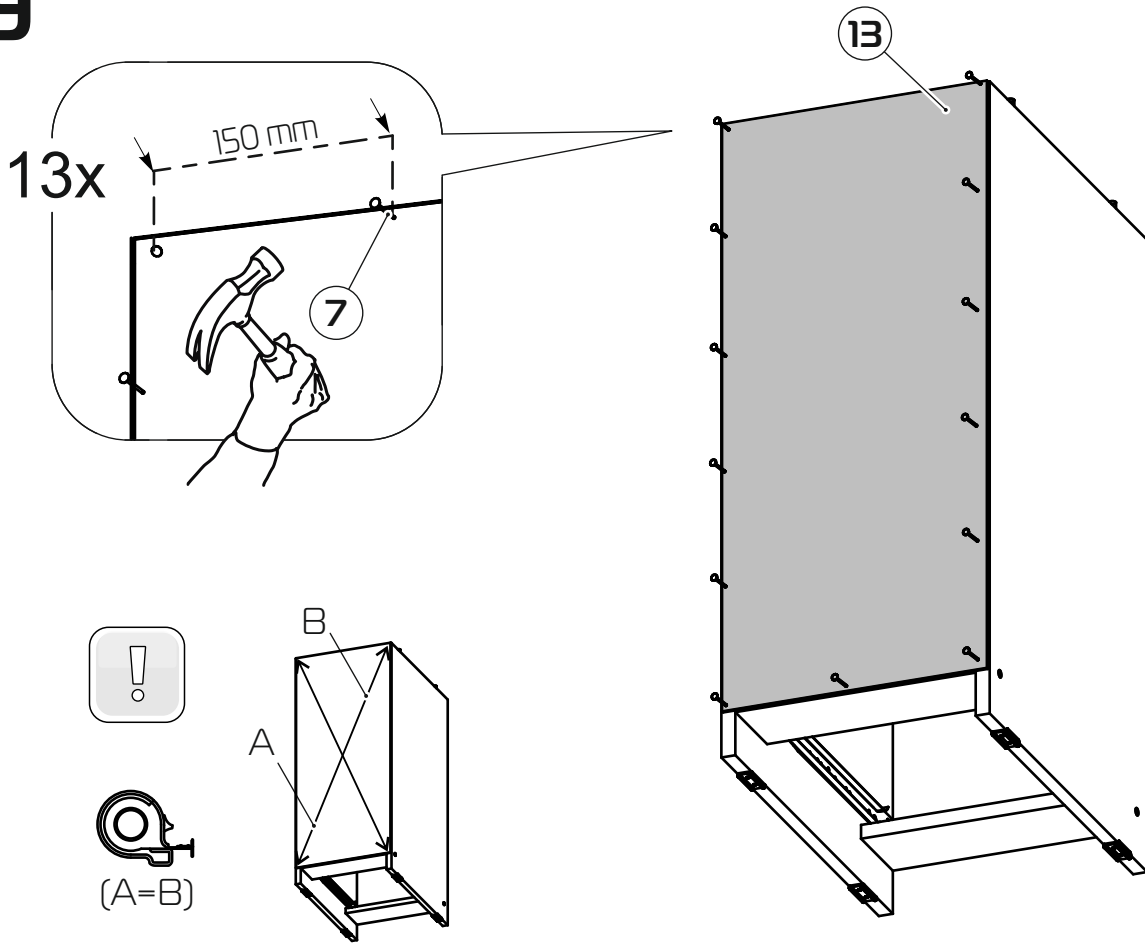


7

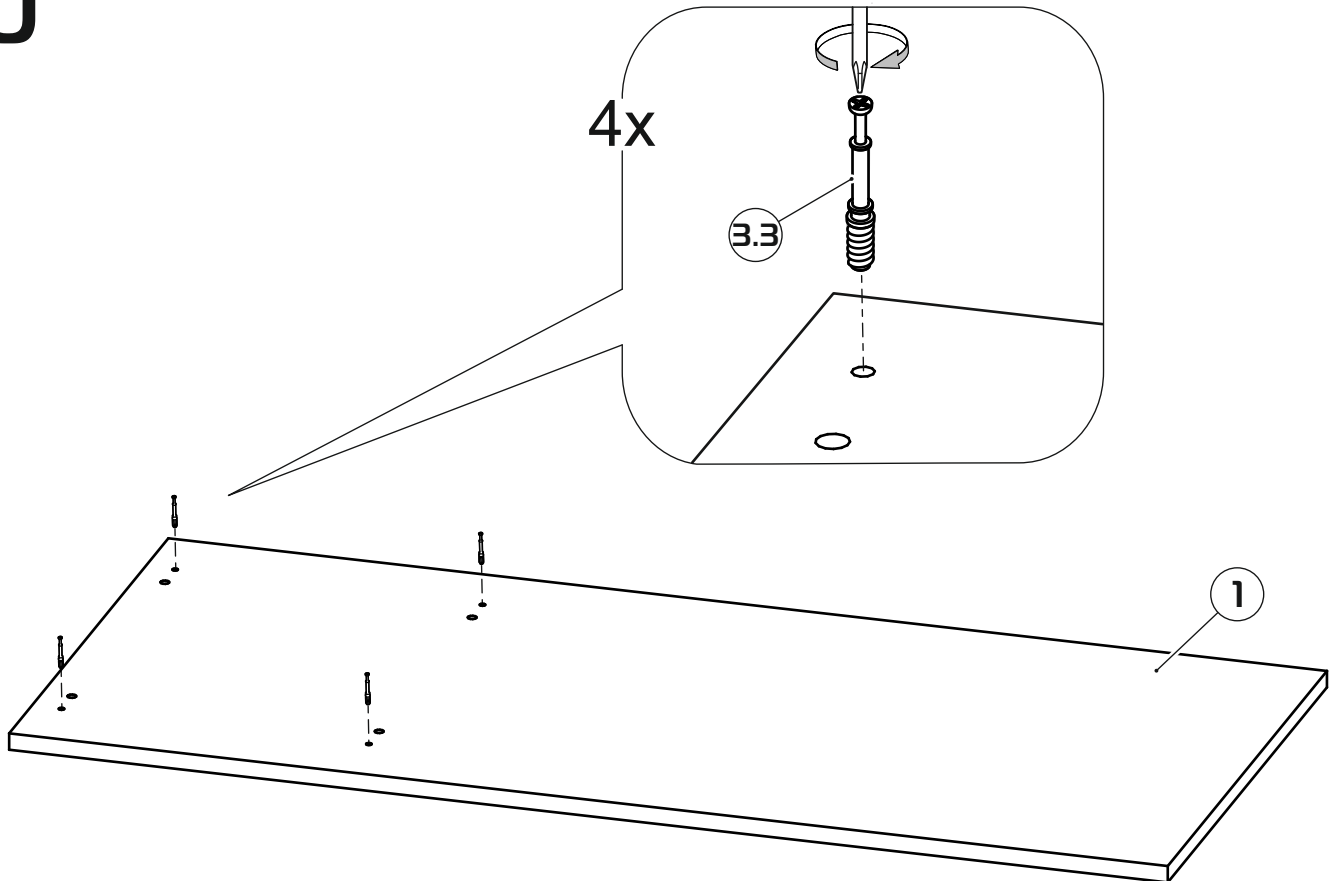


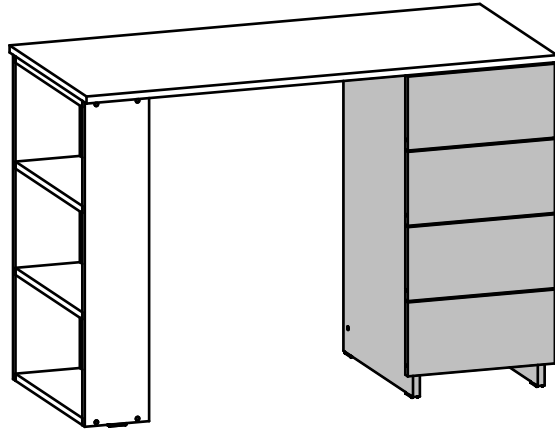
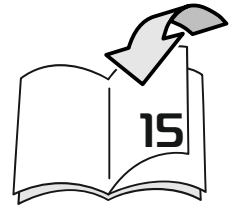
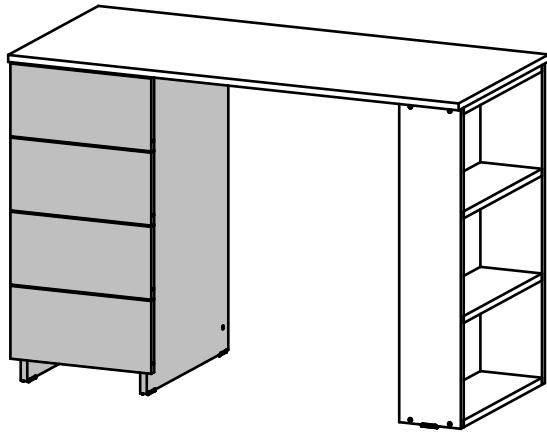


9

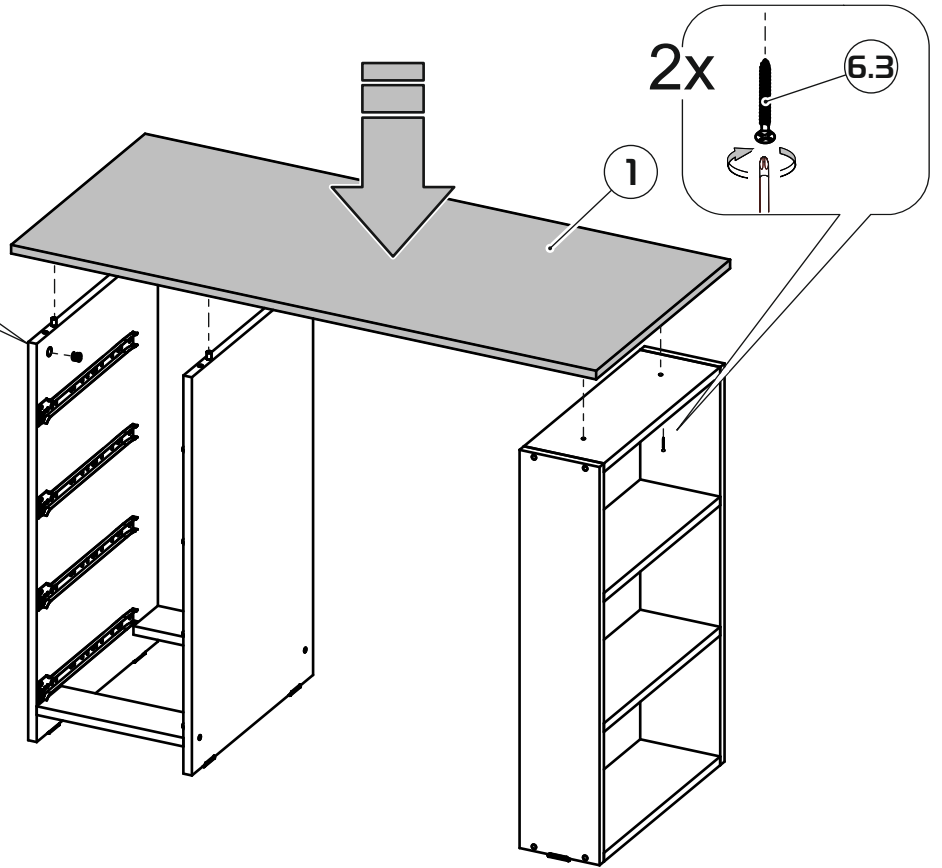
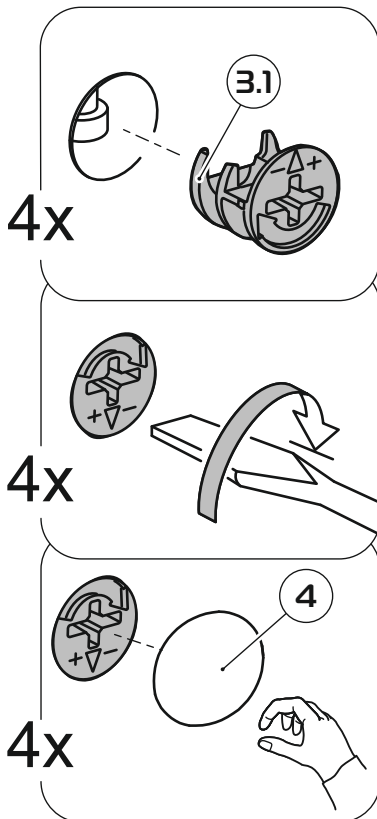


10

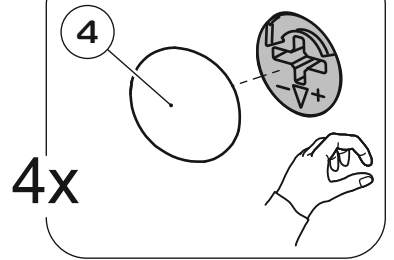
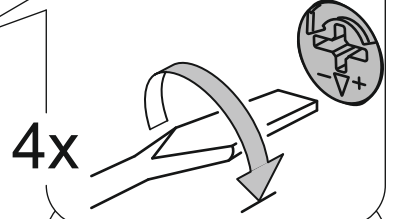
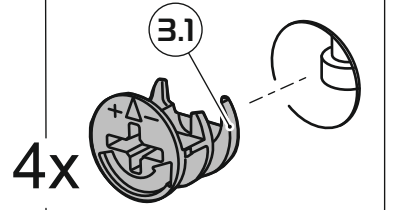
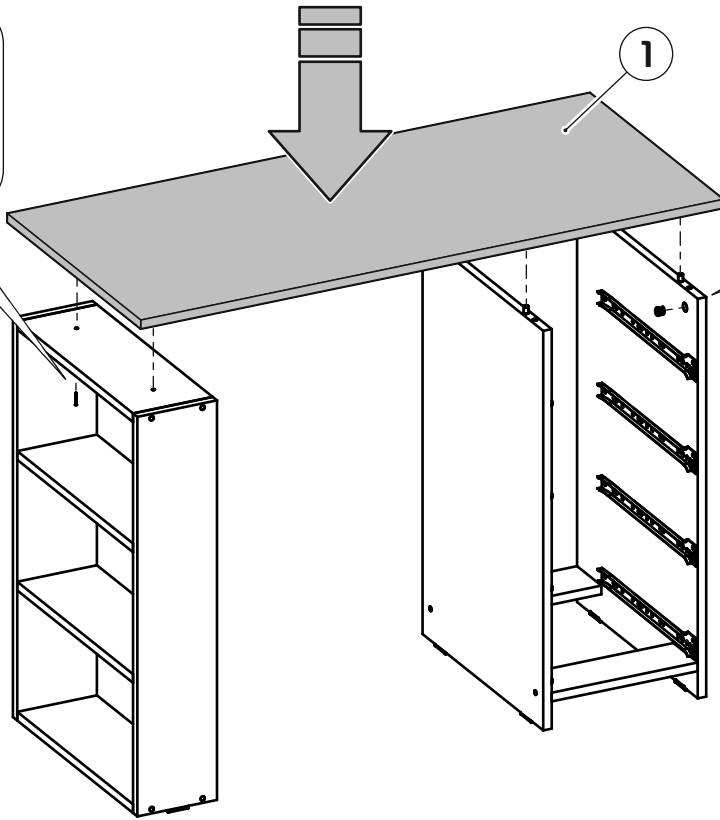
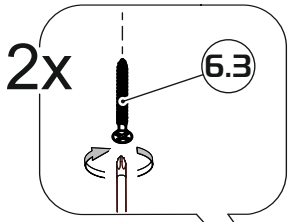




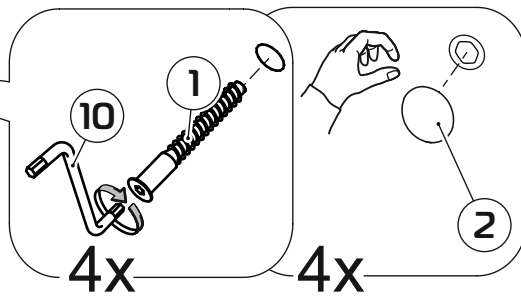
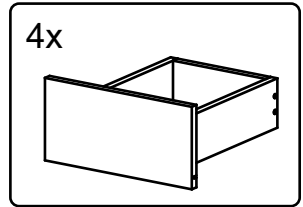
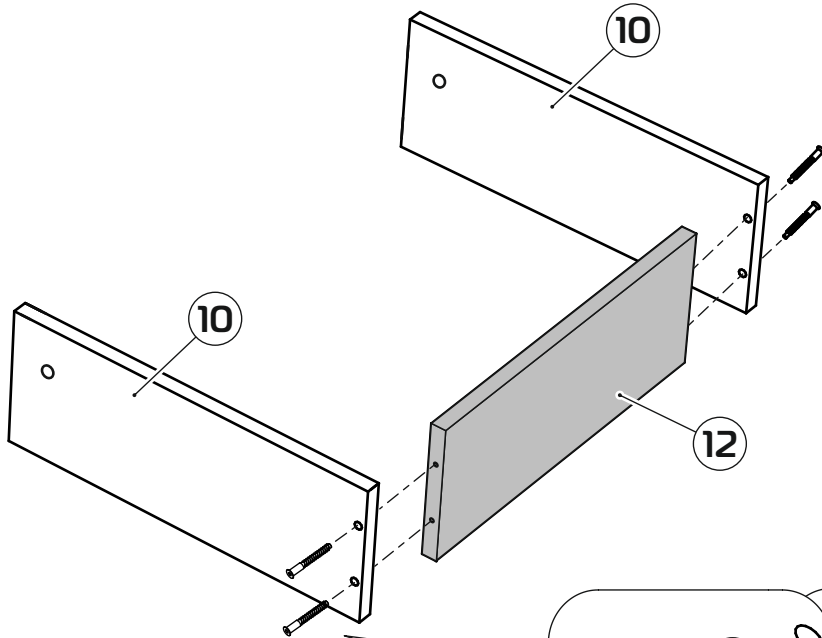
11



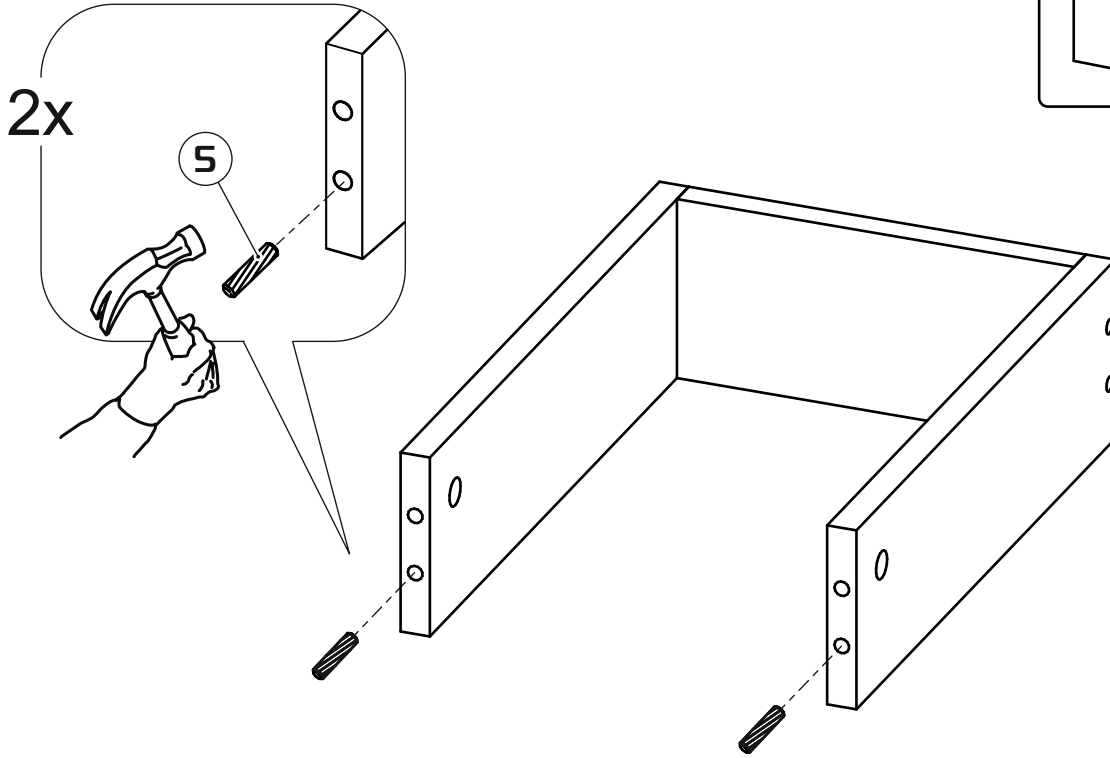
12



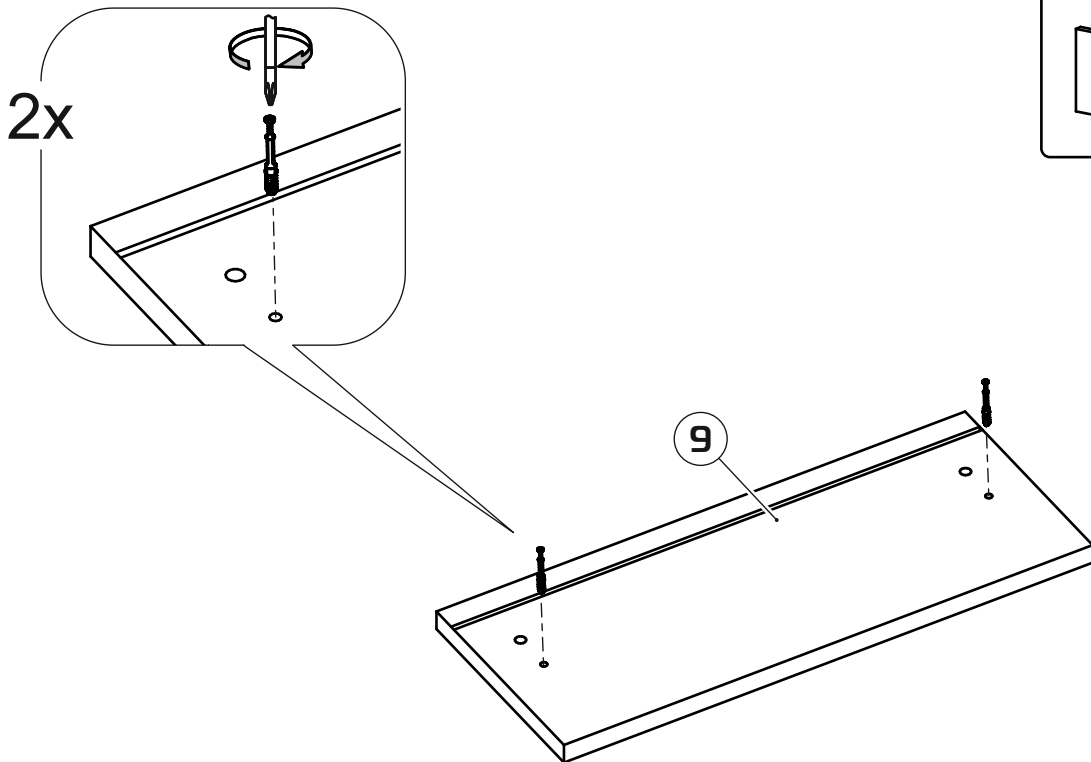
13



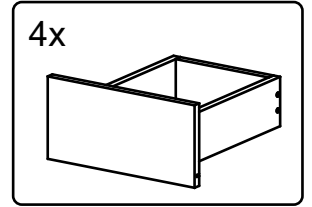
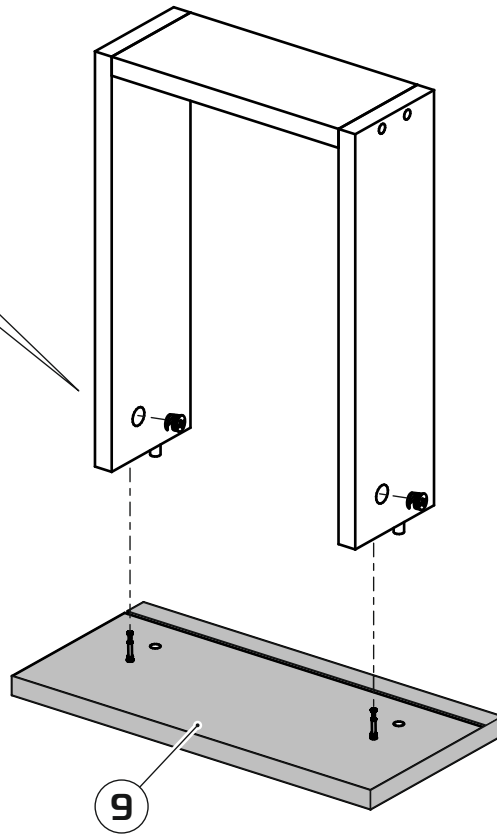
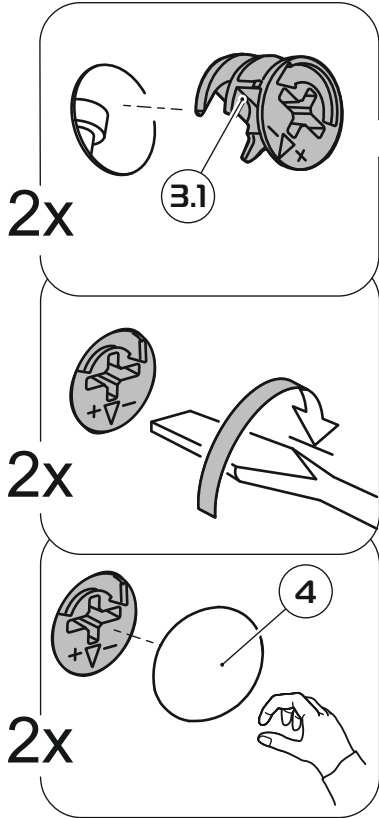
14



15



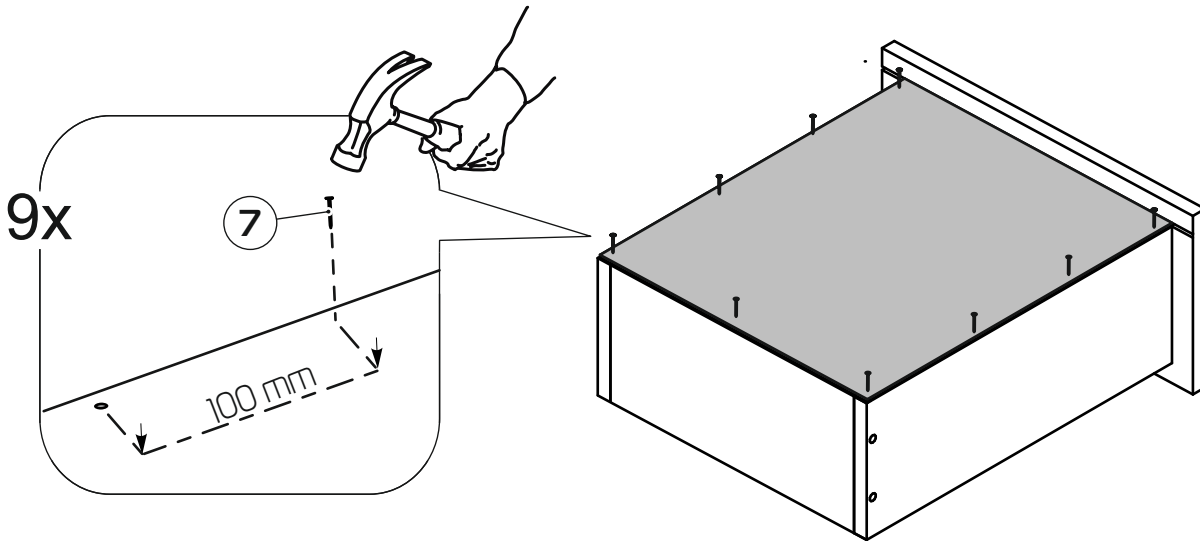
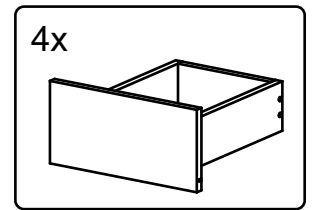
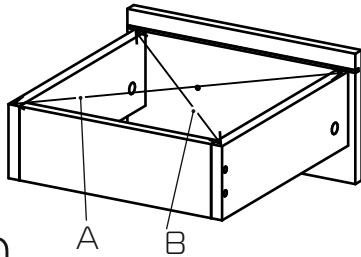
16



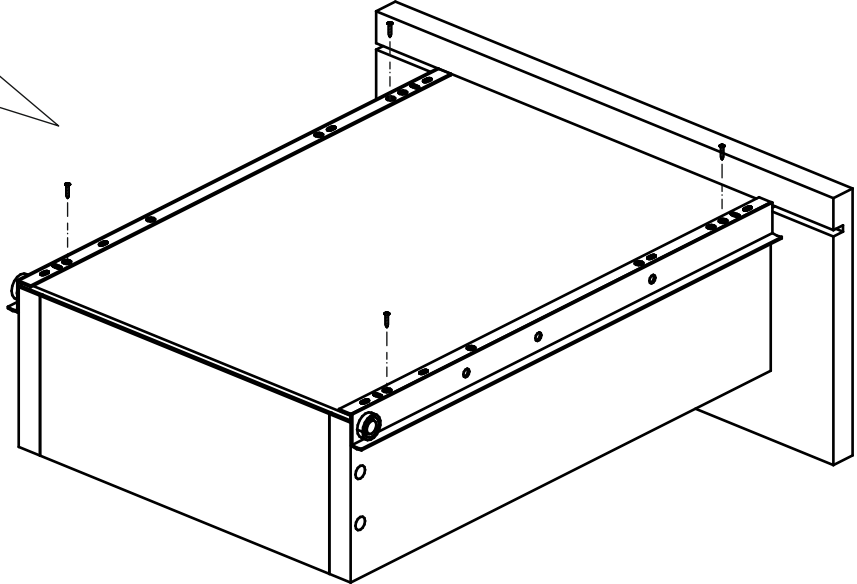
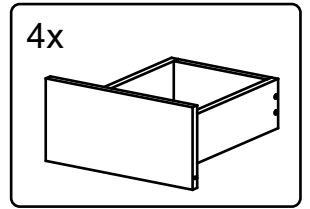
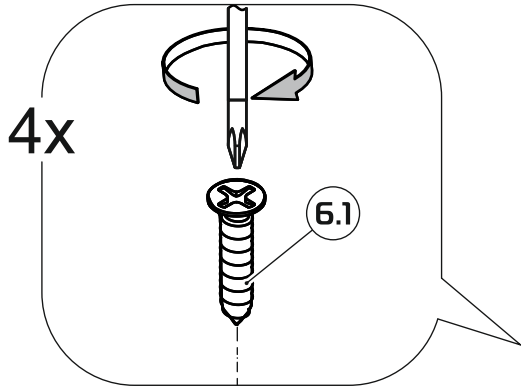
17



(A=B)



18



19

