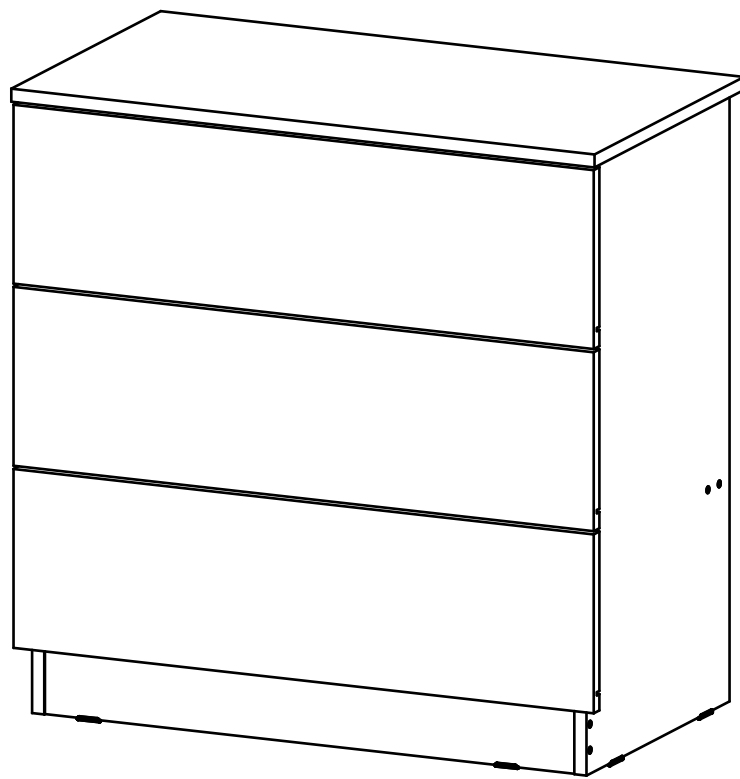
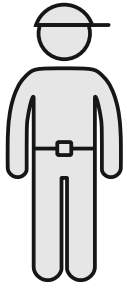


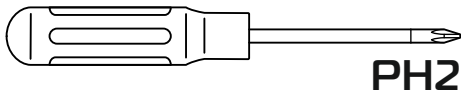
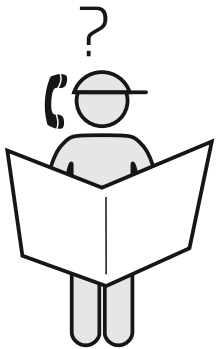
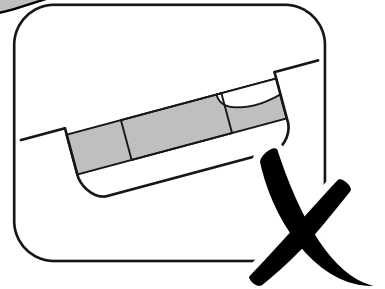
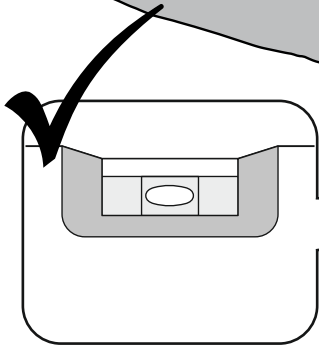
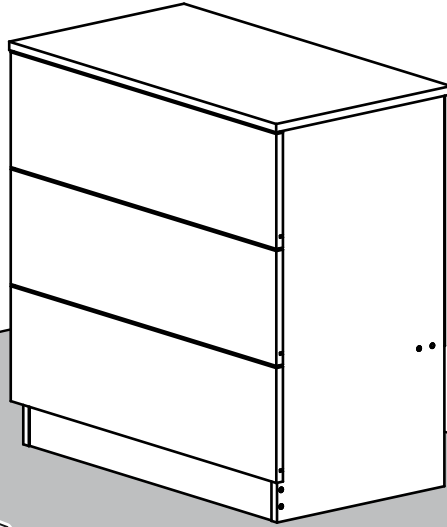
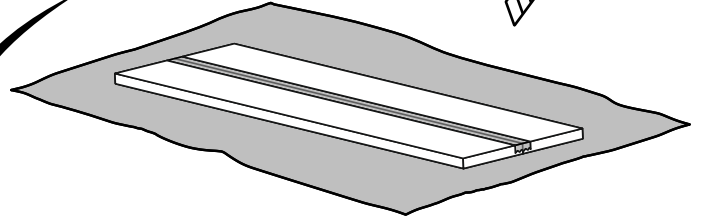
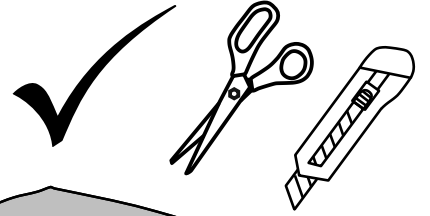
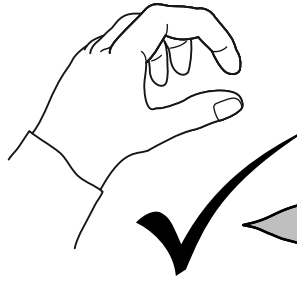
YHO-28

UNO-28

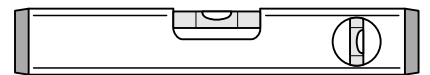
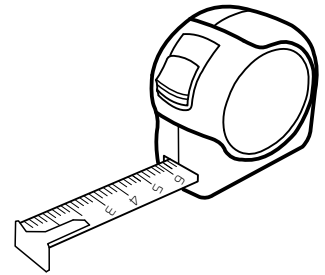
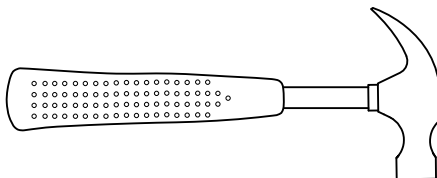


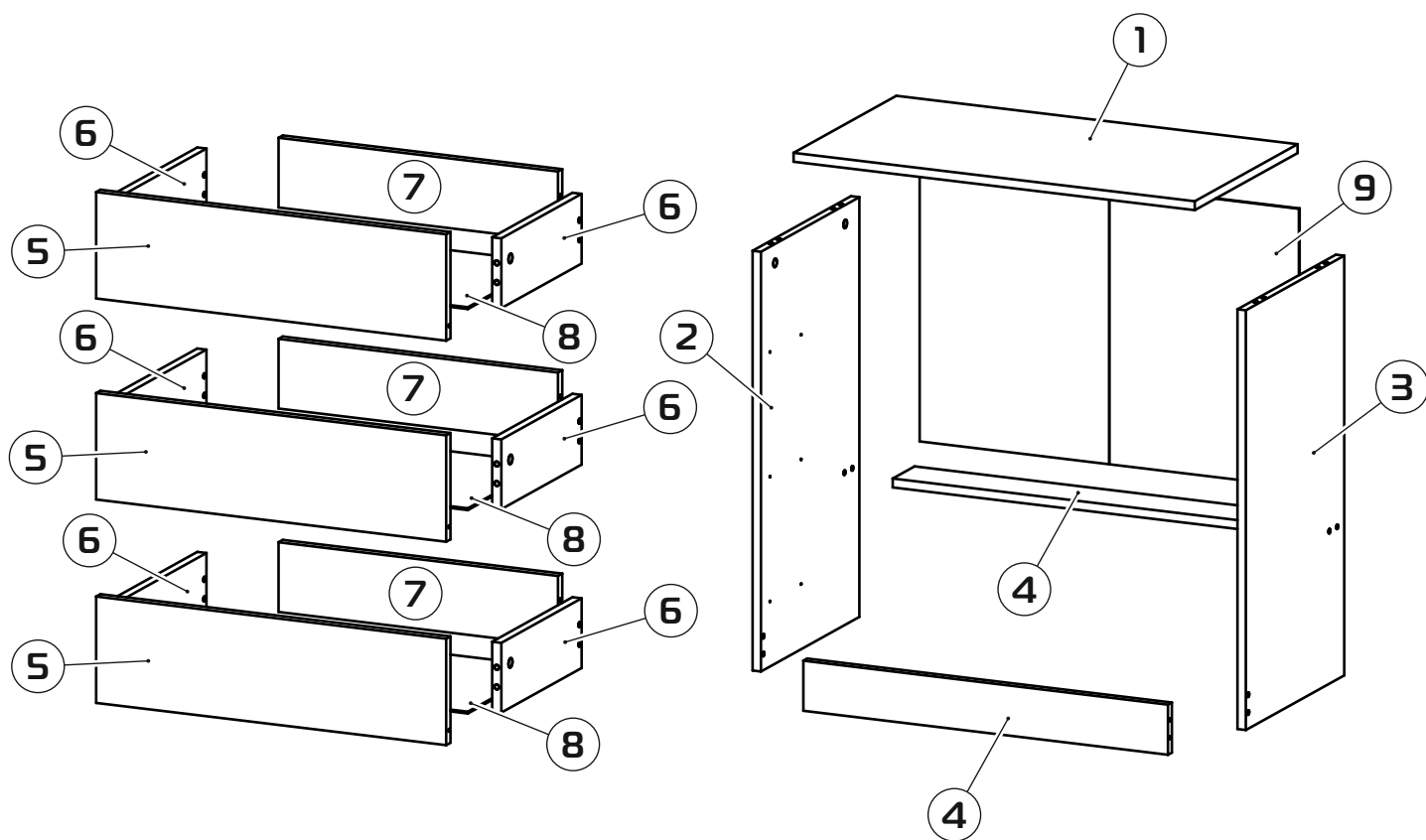


60-90 min



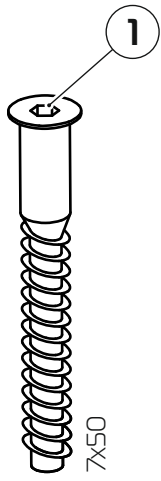
PH2



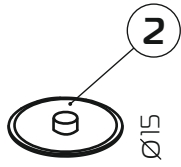


- | | |
|-------------------|----------------------|
| ① 768x422x16 (x1) | ⑥ 400x150x16 (x6) |
| ② 754x404x16 (x1) | ⑦ 64x150x16 (x3) |
| ③ 754x404x16 (x1) | ⑧ 668x404x3 (x3) |
| ④ 698x90x16 (x2) | ⑨ 500x363/363x3 (x1) |
| ⑤ 764x220x16 (x3) | |

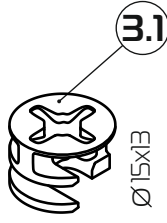
1:1



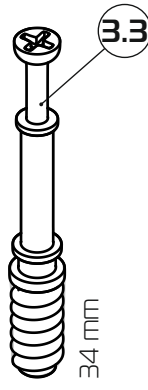
x20



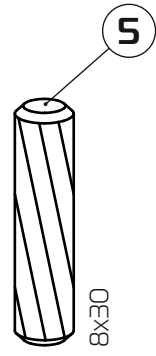
x8



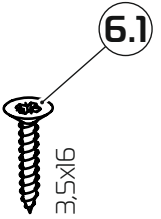
x10



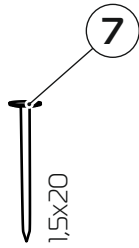
x10



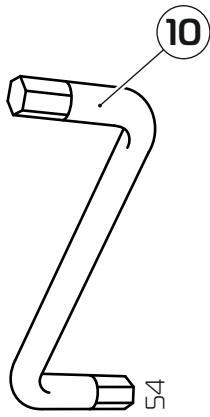
x10



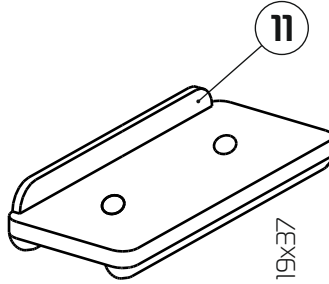
x38



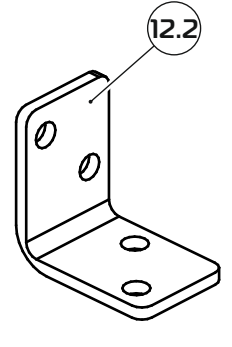
x62



x1

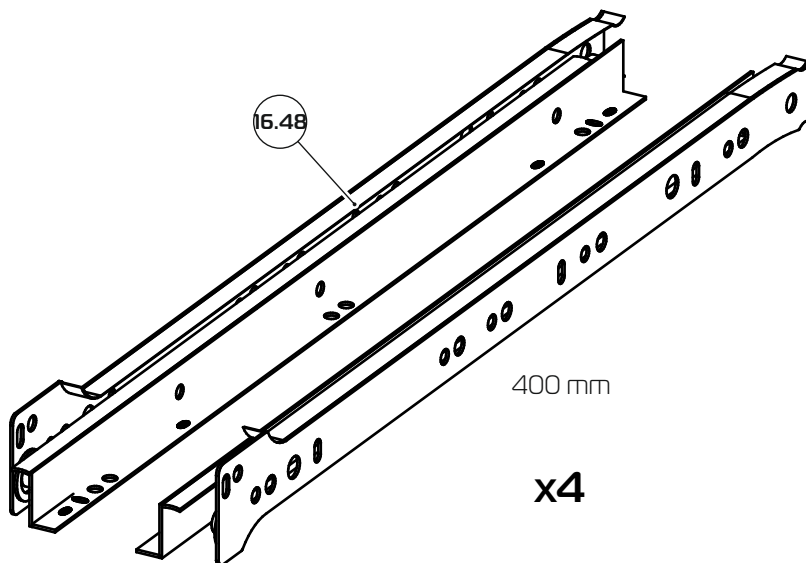


x6



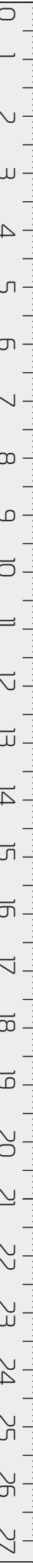
x1

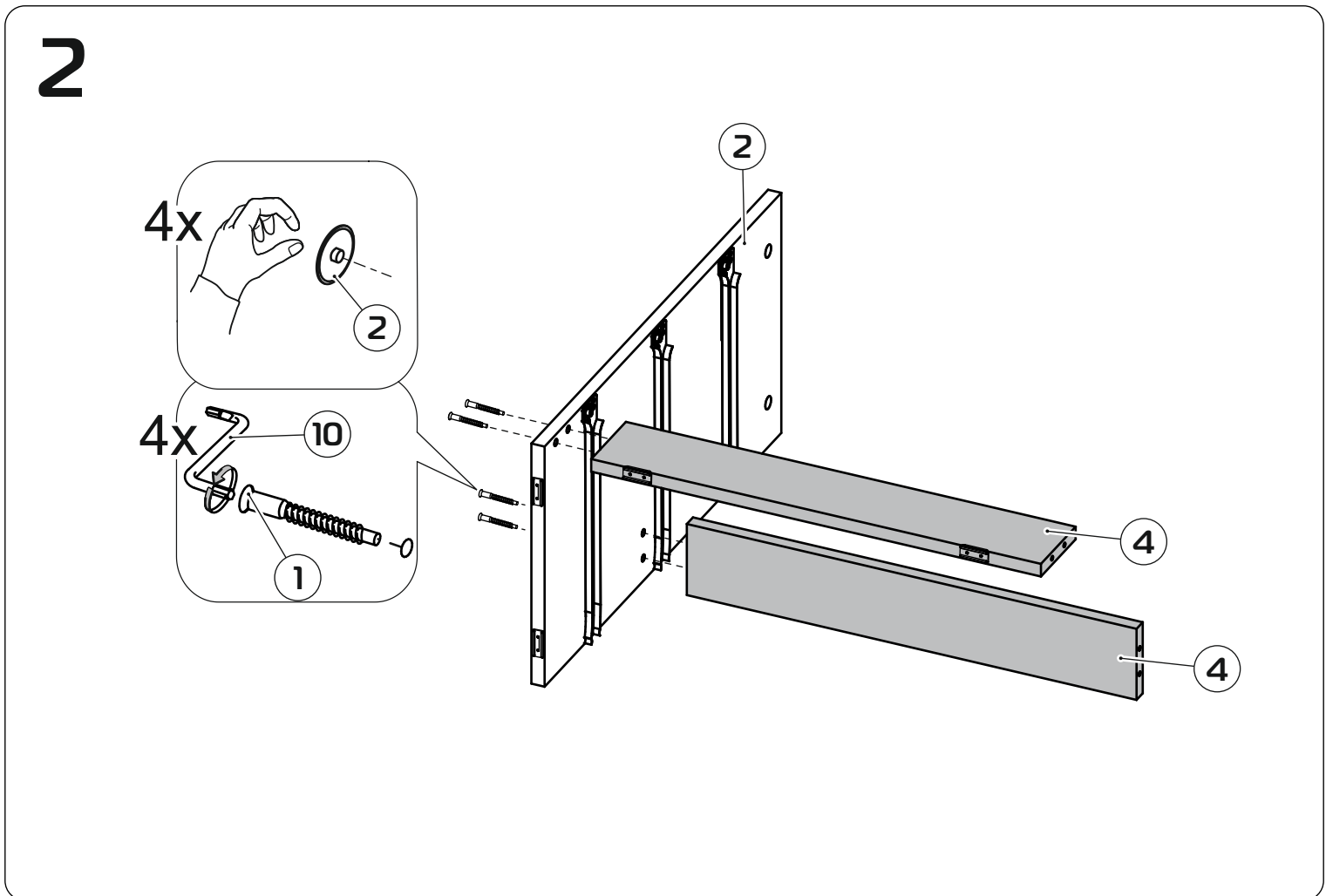
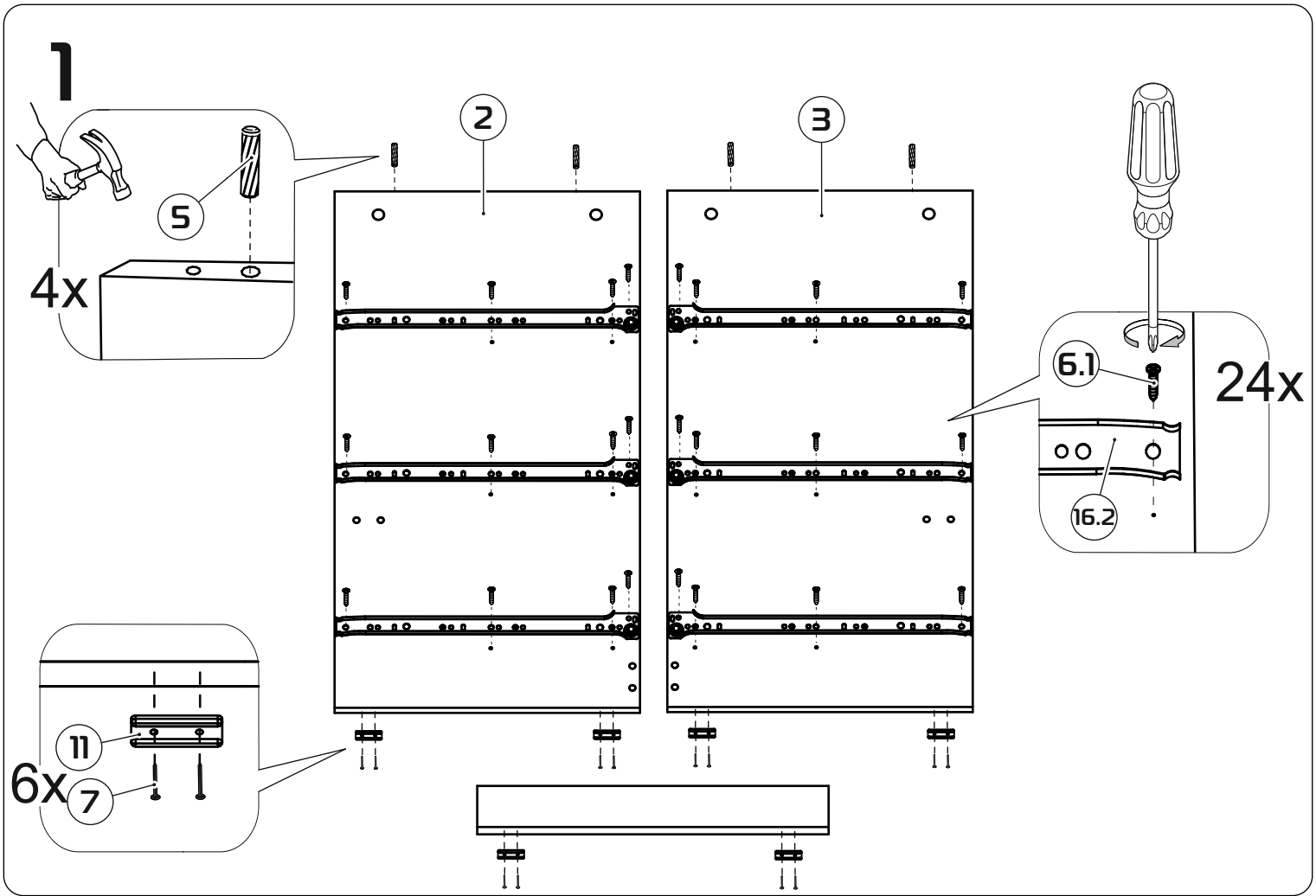
1:2



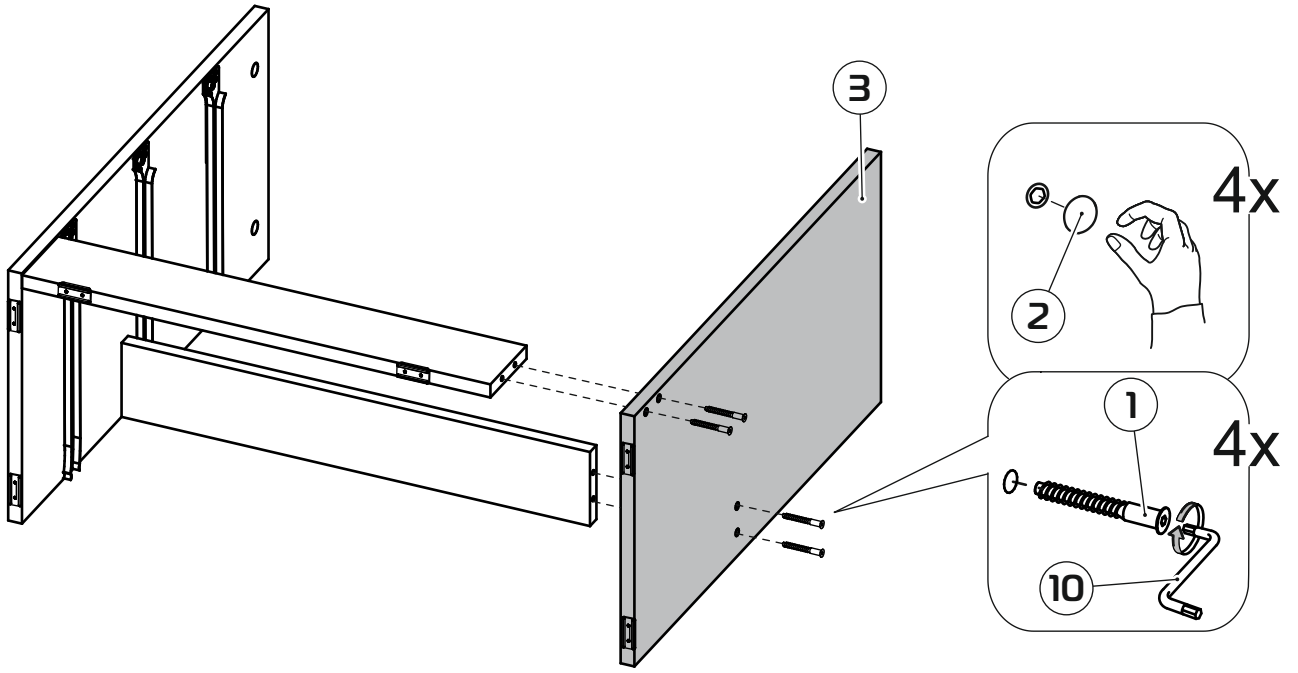
400 mm

x4

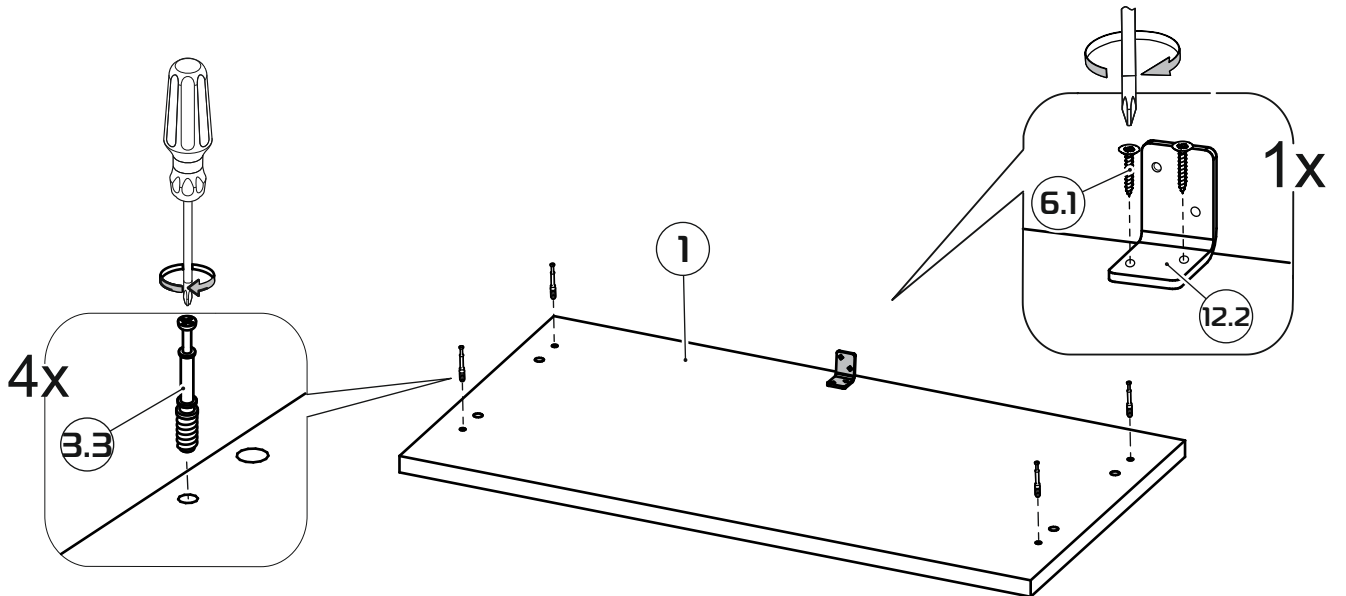




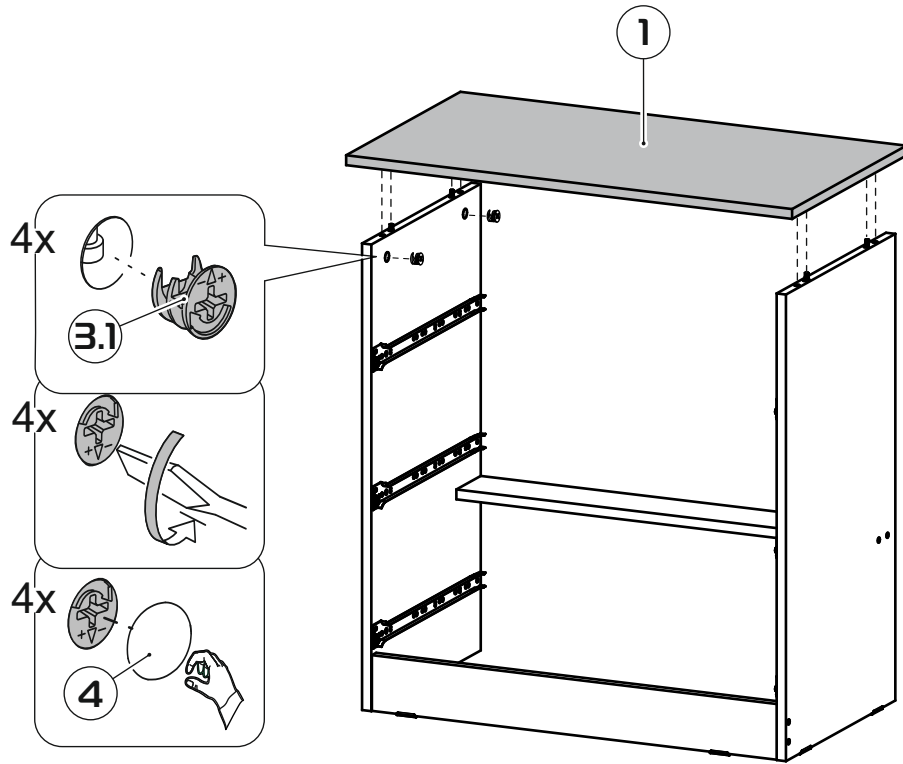
3



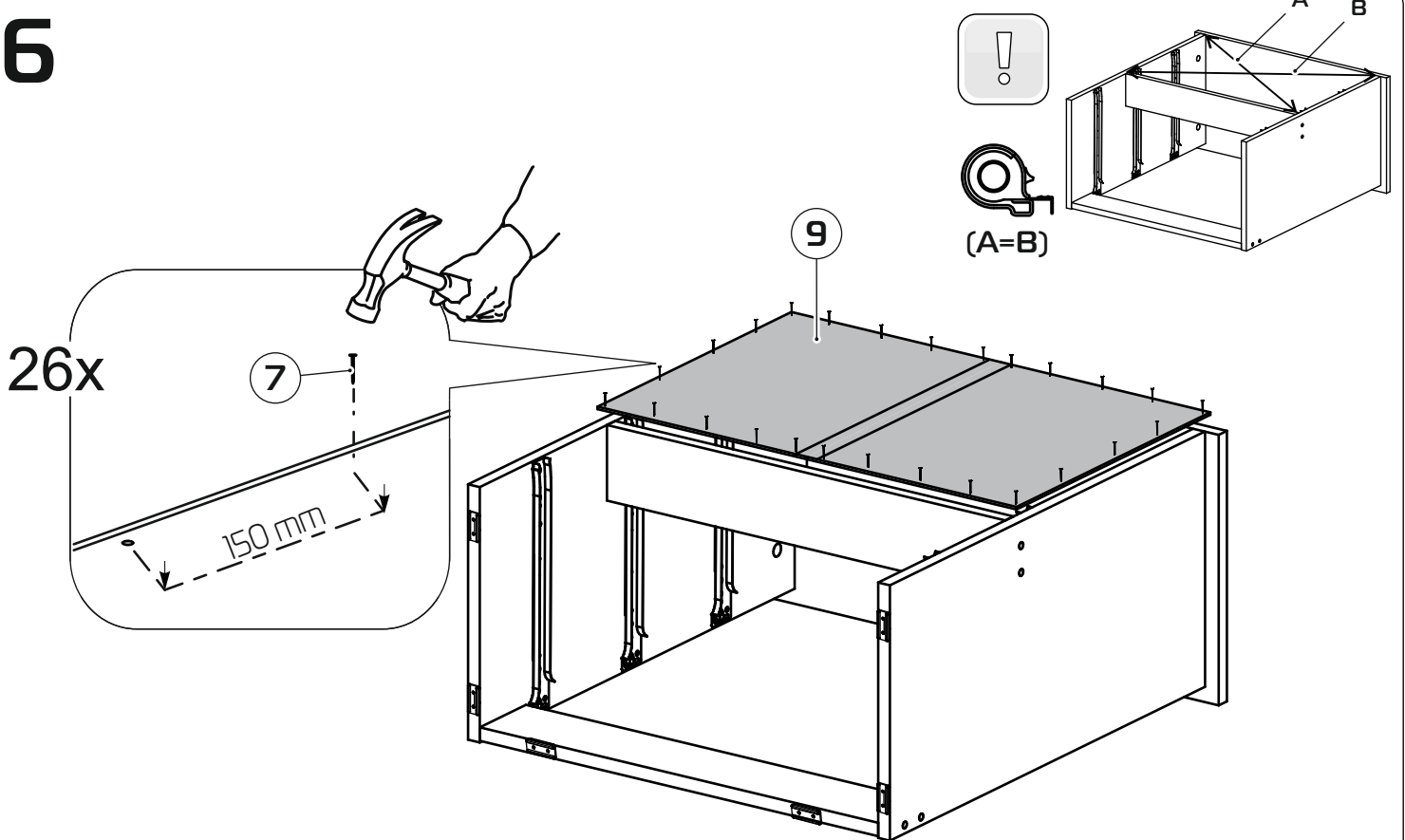
4



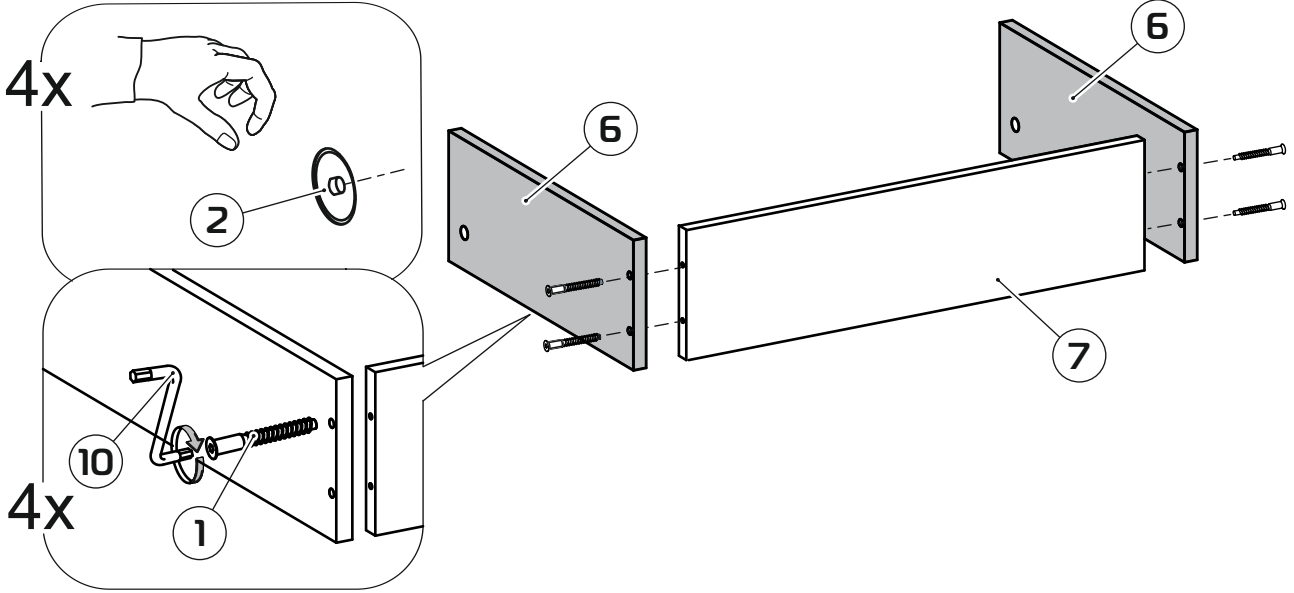
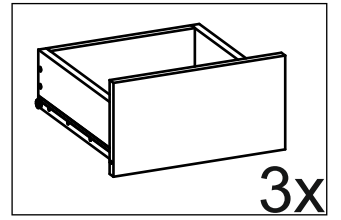
5



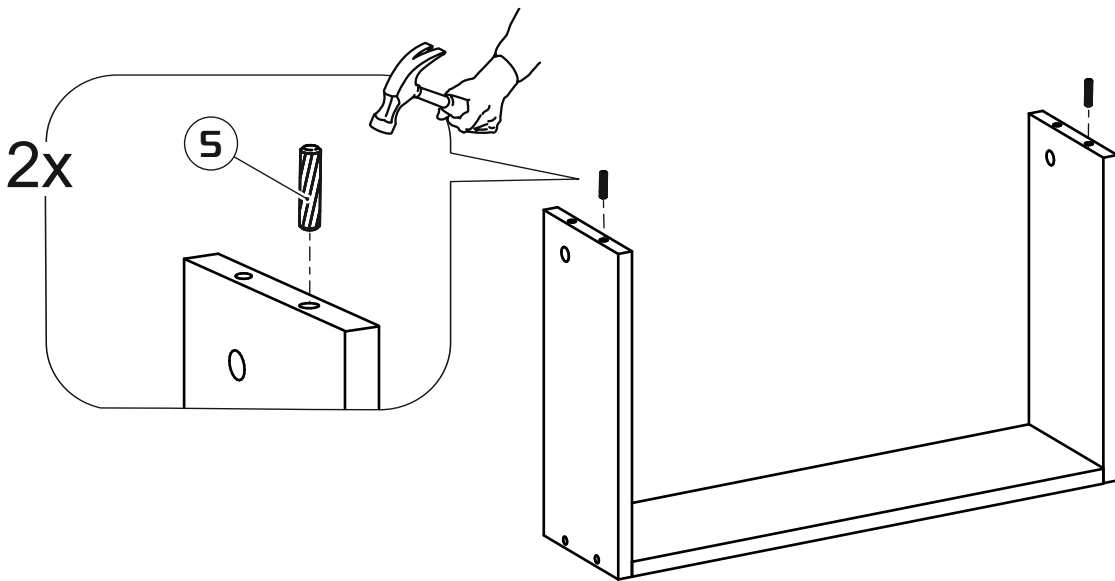
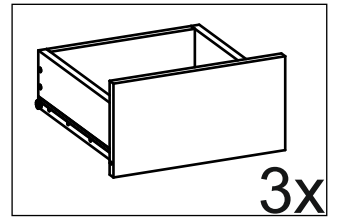
6



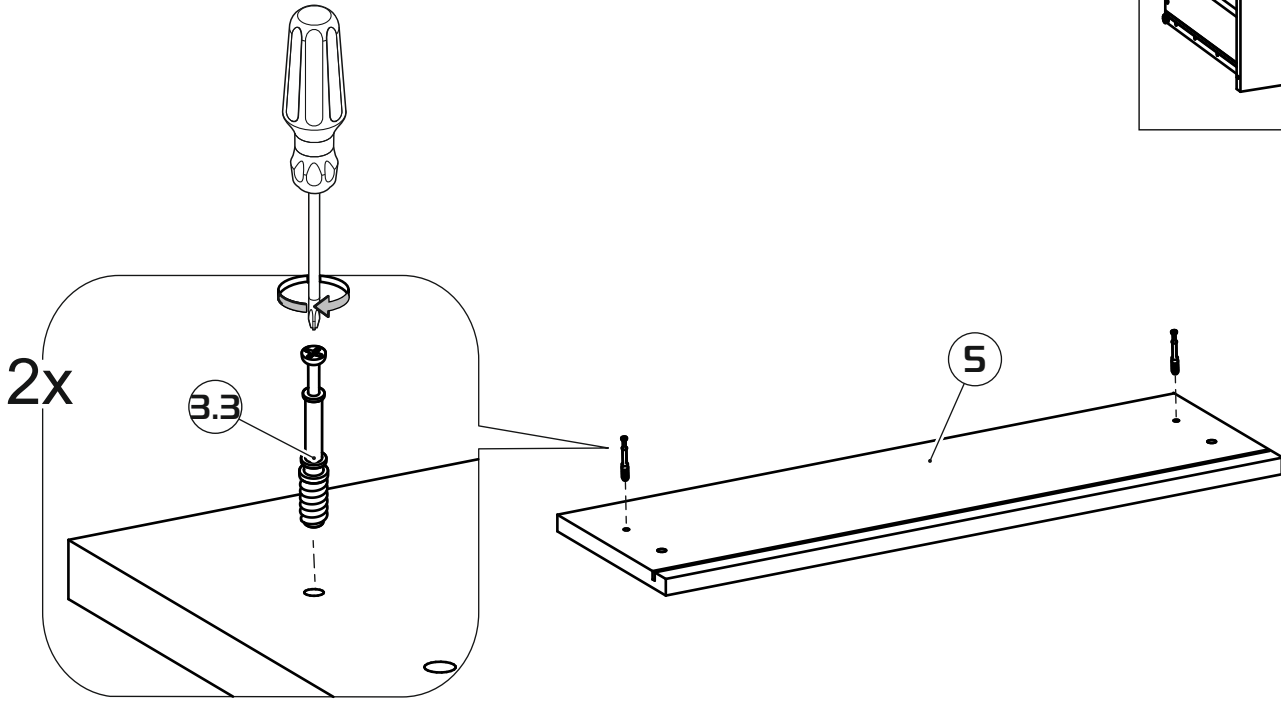
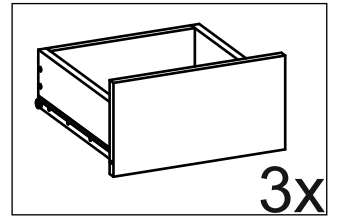
7



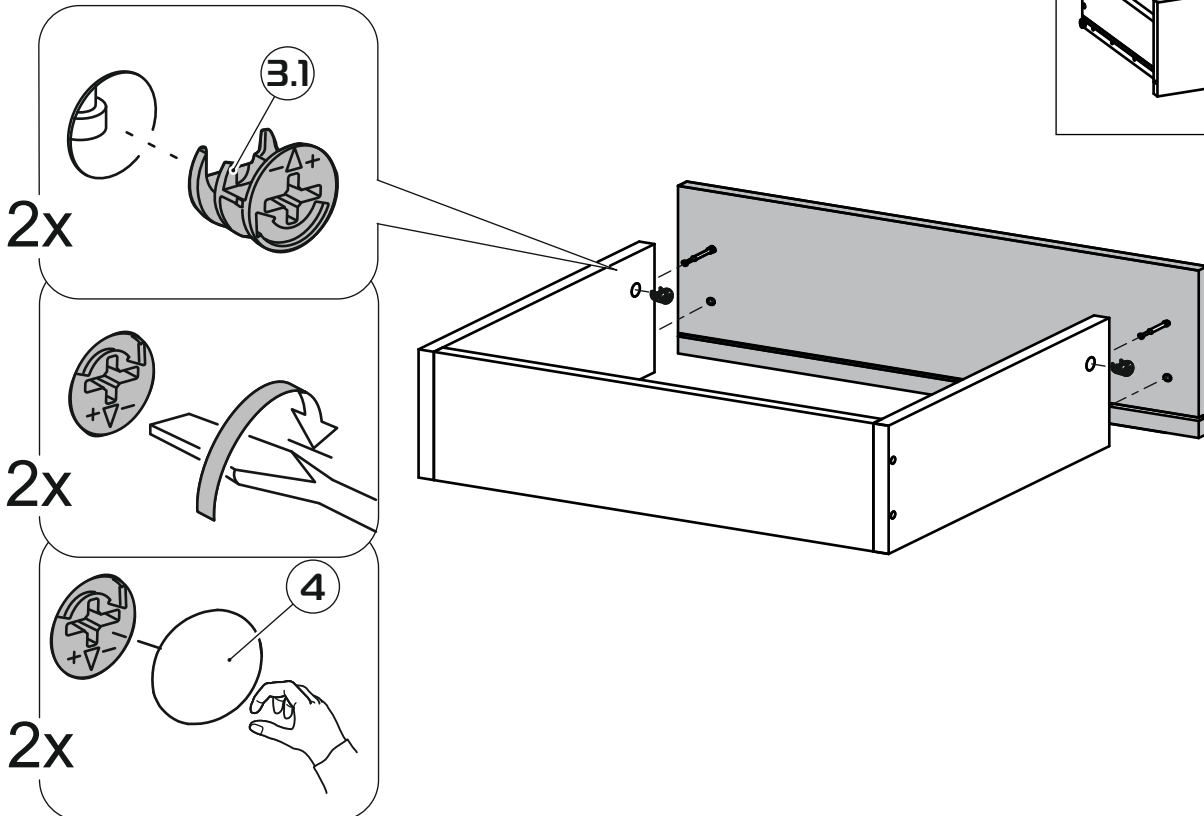
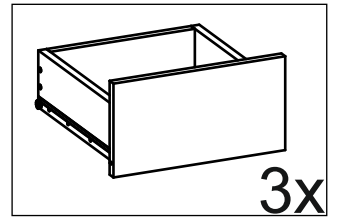
8



9



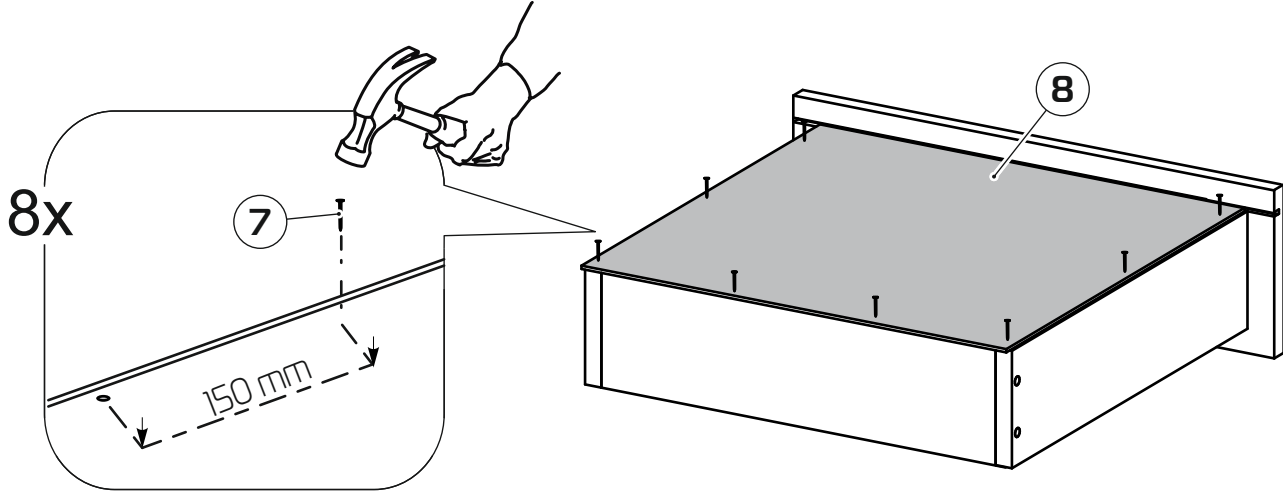
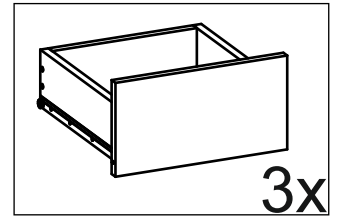
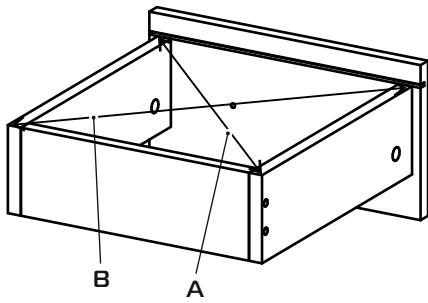
10



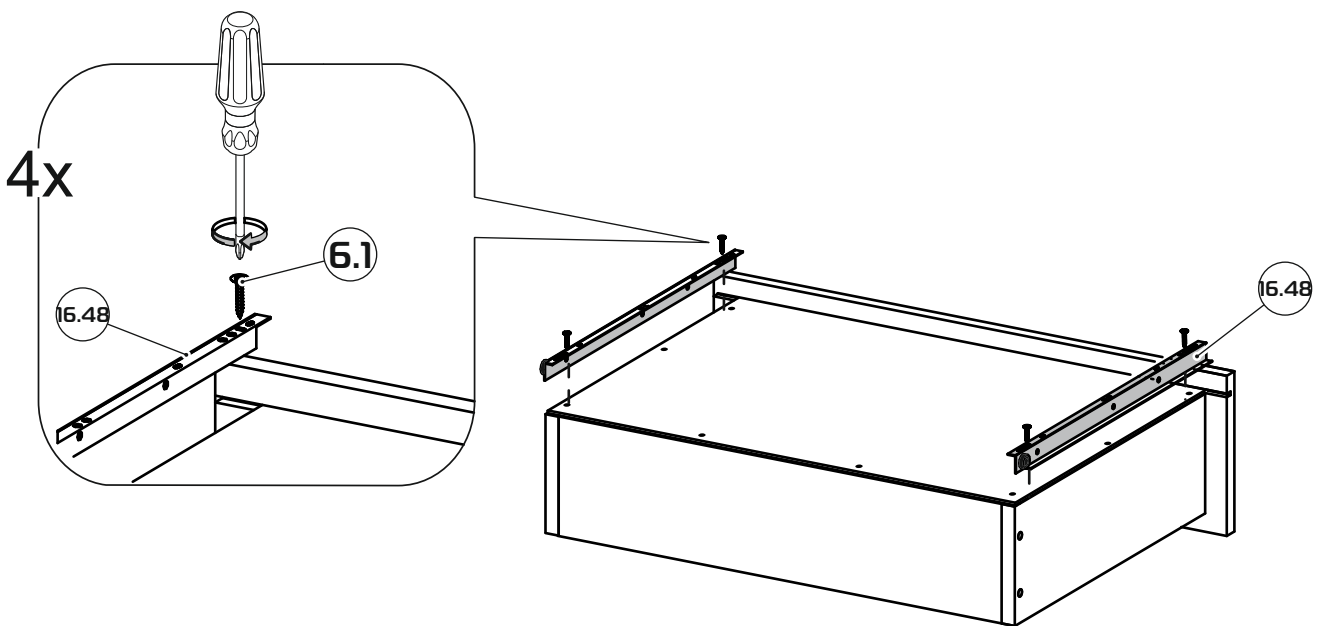
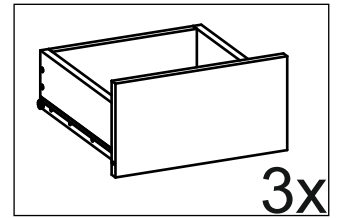
11



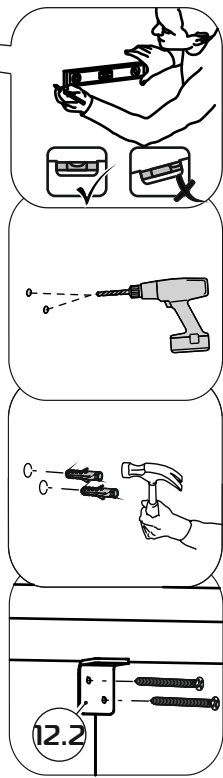
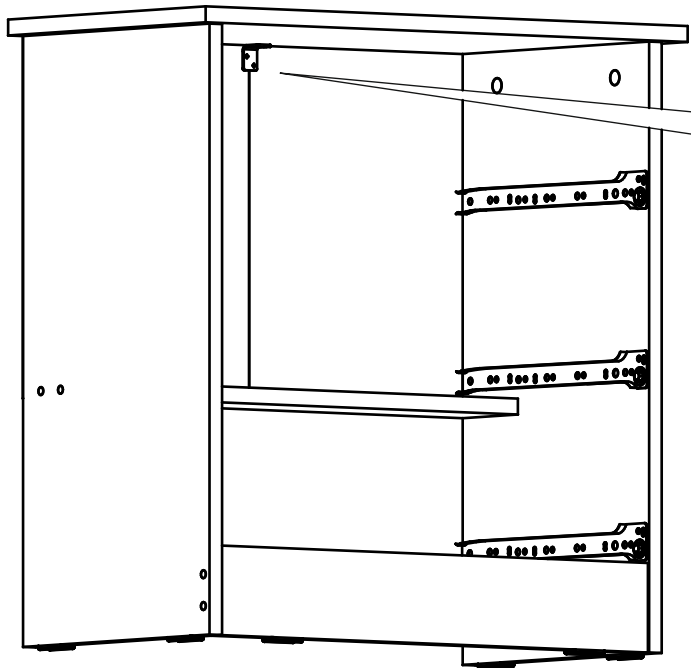
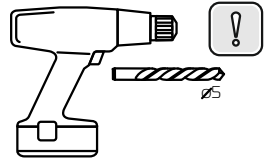
(A=B)



12



13



14

